



# AP-M2M100 LAN M2M Device

High Performance M2M (Machine-to-Machine) Device Solution



**AddPac**

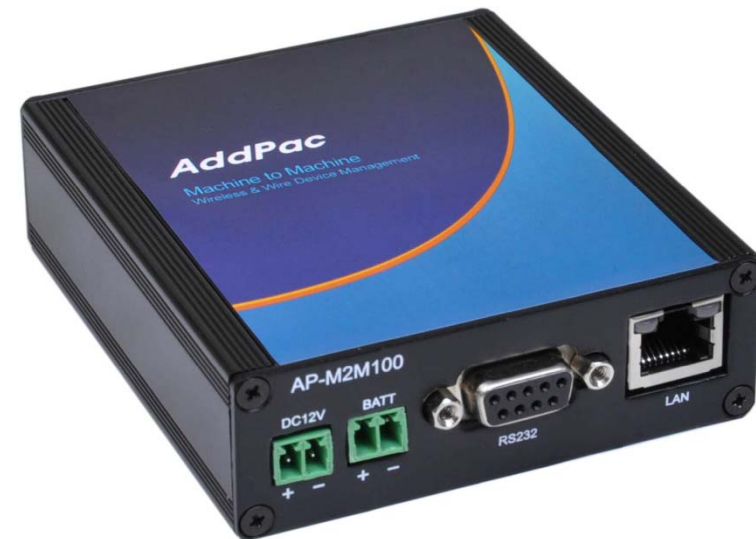
**AddPac Technology**

Sales and Marketing

[www.addpac.com](http://www.addpac.com)

# Contents

- Product Overview
- Hardware Specification
- APOS Technology
- Network Protocols
- Network Management
- Security Management
- Application Service
- Ordering Information



# Product Overview

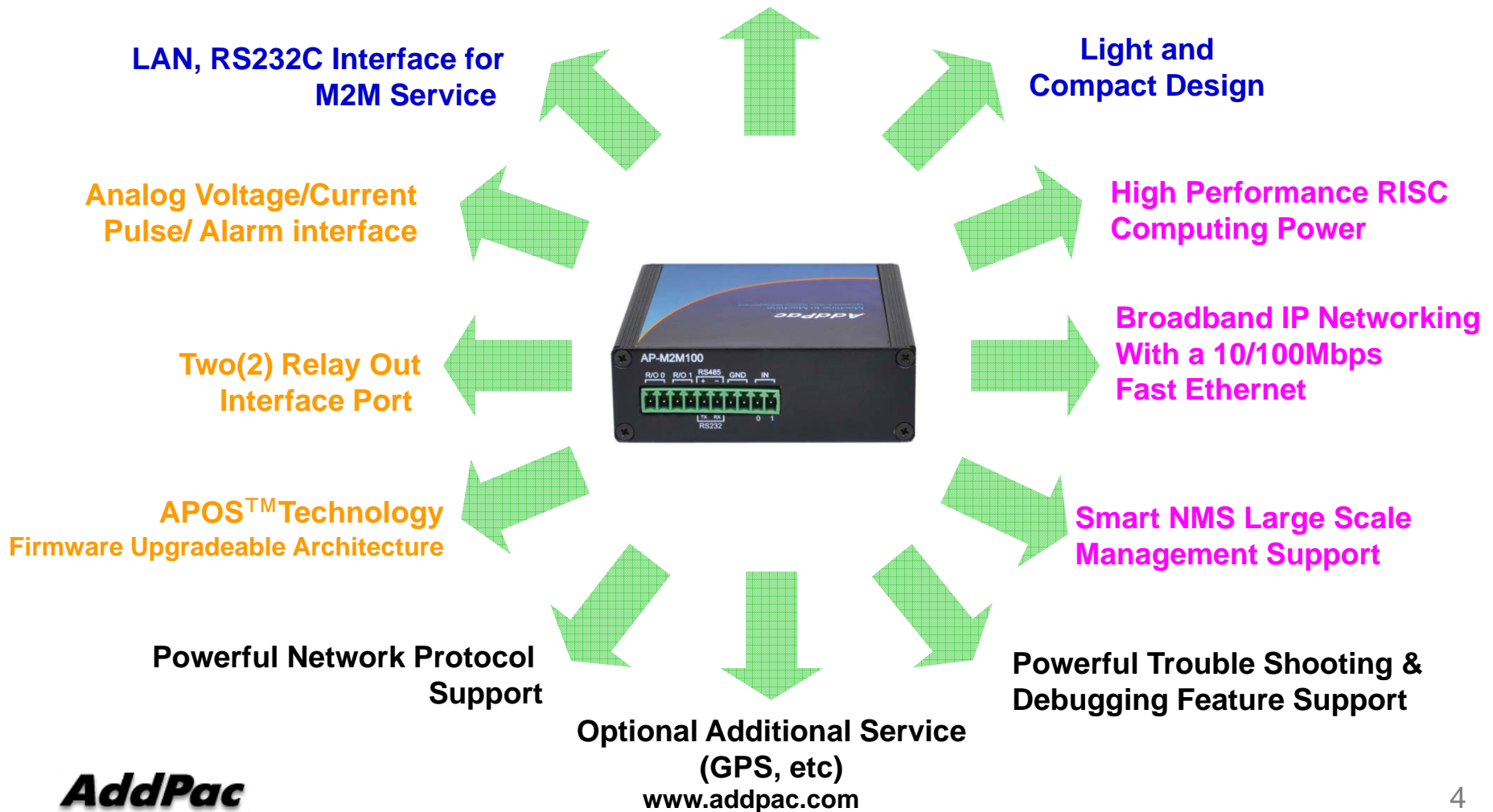
## AP-M2M100 M2M Device

- High Performance RISC & Programmable Architecture
- One(1) 10/100Mbps Fast Ethernet LAN Port Interface
- RS232C (DB9) Port Interface
- RS232/RS485 Interface(Selected by Internal DIP Switch)
- Two(2) Relay Out Interface
- Analog Voltage or Current Interface (Selected by Internal DIP Switch)
- Pulse or Alarm Input Interface (Selected by Internal DIP Switch)
- DC12V External Power Supply, Battery Input Interface (DC12V)
- Powerful Network Protocols (PPPoE, DHCP, Static Routing, etc)
- Firmware Upgradeable Architecture
- Smart Web Manager
- Smart NMS for Large Scale Deployment
- Light and Compact Design with External Power Supply

# Product Highlights

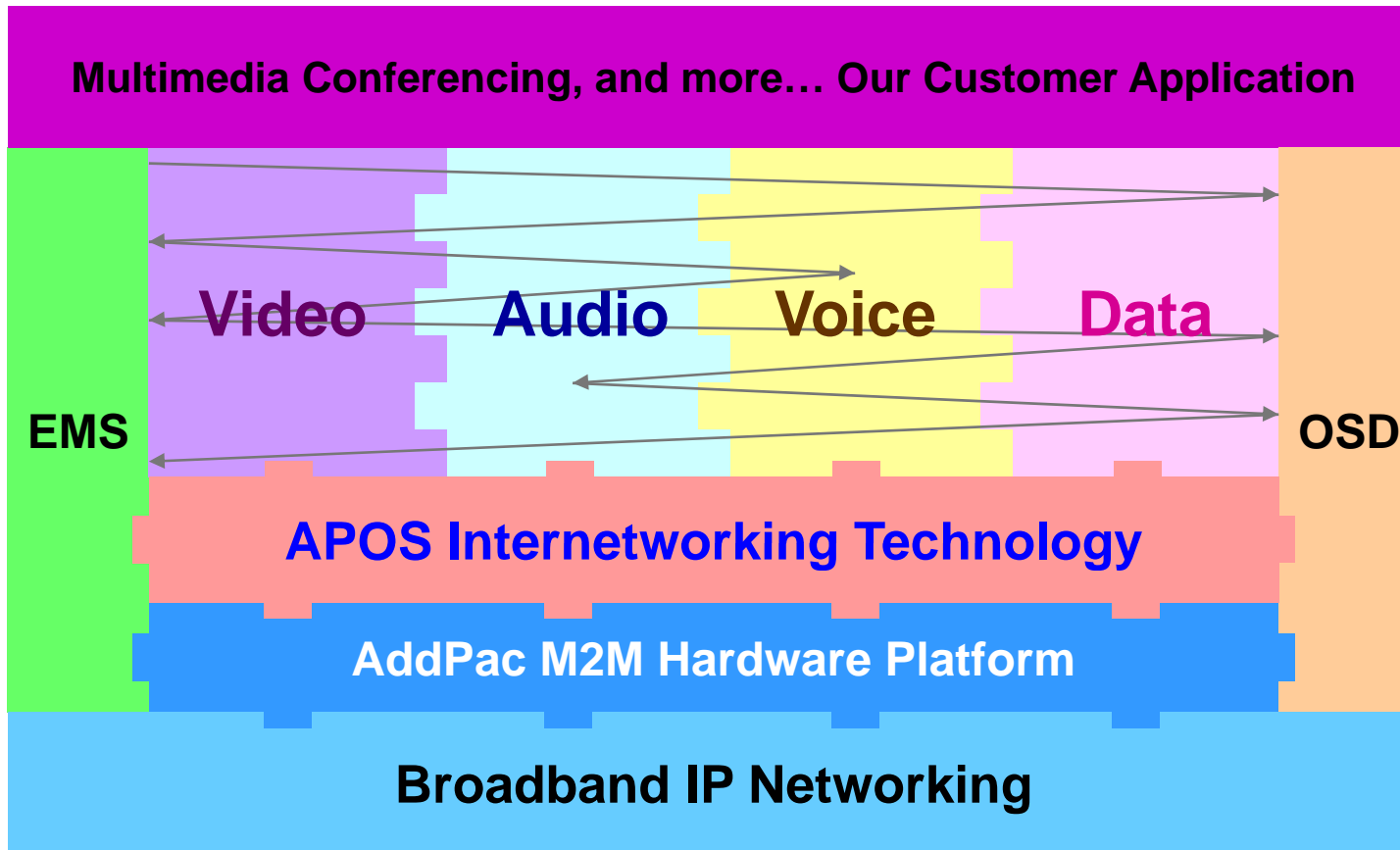
AP-M2M100 M2M Device

## Powerful M2M Device for Wired Network



# APOS Technology

AP-M2M100 M2M Device



- APOS : AddPac Internetworking Operating System
- OSD : On- Screen Display
- EMS : Element Management System

# Hardware Specification

AP-M2M100 M2M Device

RISC  
CPU

High-end  
DSP

- RISC Microprocessor Computing Power
- Network Interface
  - One(1) 10/100Mbps Fast Ethernet LAN Interface (RJ45)
  - One(1) RS232C Interface (DB9)
- Terminal Block Interface
  - RS232 or RS485 Interface
  - Analog Voltage or Current Input Interface (1N1, IN2)
  - Pulse or Alarm Input Interface (IN1)
  - Two(2) Relay Out Interface
- DC12V External Power Supply, Battery Power Supply Input

# Hardware Specification

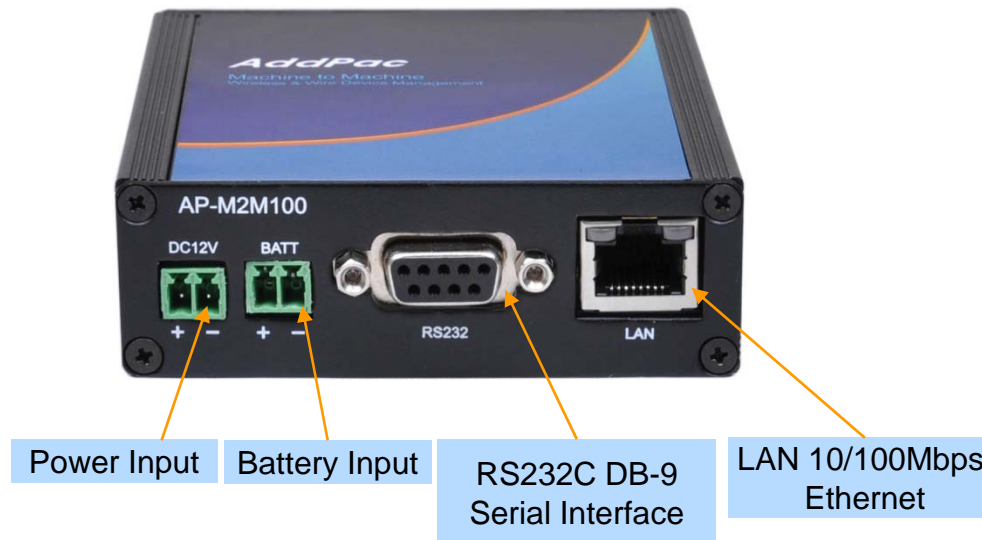
AP-M2M100 M2M Device

RISC  
CPU

High-end  
DSP

## Network interface Configuration

### Front Side



# Hardware Specification

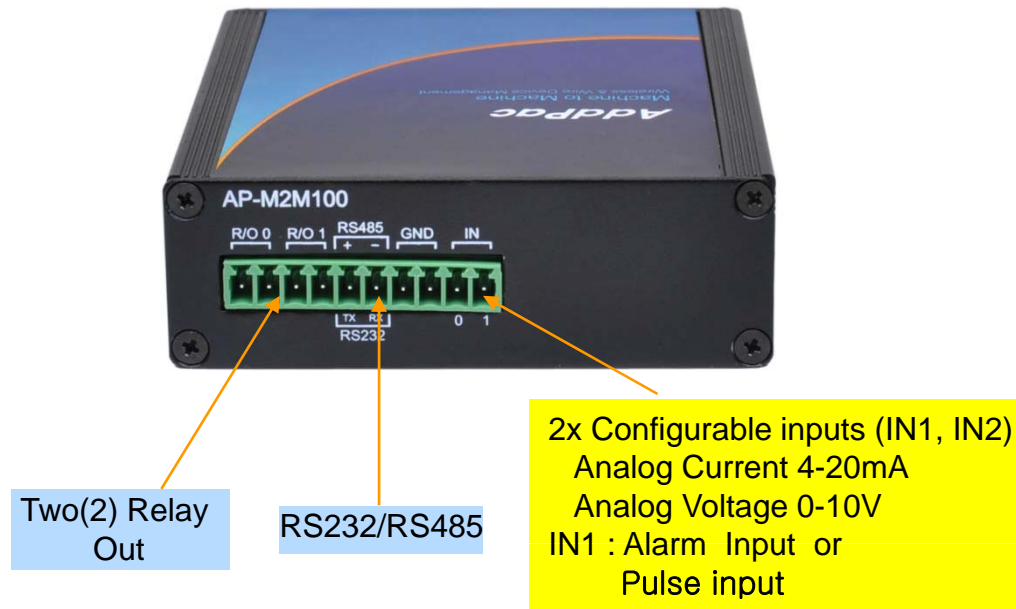
AP-M2M100 M2M Device

RISC  
CPU

High-end  
DSP

## Network interface Configuration

### Rear Side





# Hardware Specification

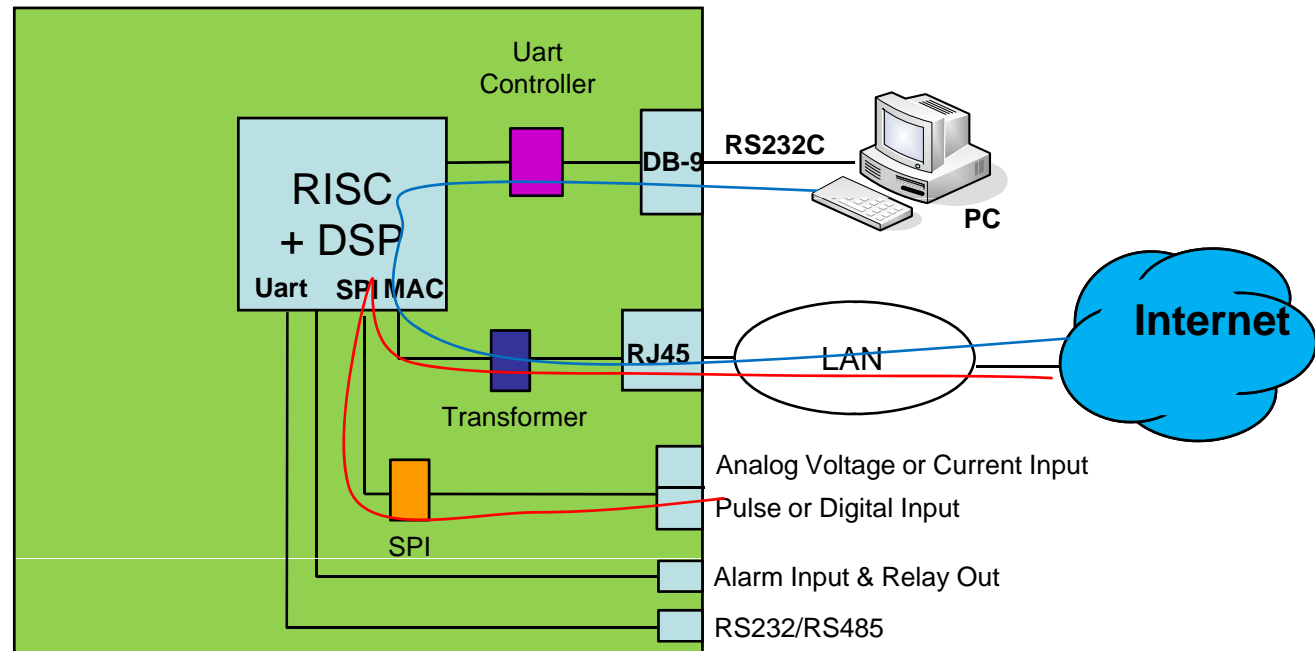
AP-M2M100 M2M Device

RISC  
CPU

High-end  
DSP

## Wired Data Service Diagram

AP-M2M100 Internal H/W Block Diagram



# Hardware Specification

AP-M2M100 M2M Device

RISC  
CPU

High-end  
DSP

AP-M2M100 M2M Device	Basic Specifications
Ethernet Interface	1-Port 10/100Mbps Ethernet Interface(RJ-45)
Serial Interface	1-Port RS232C Serial Interface Interface(DB-9)
Flash Memory	4Mbyte High-speed Flash Memory
Base Memory	32Mbyte High-speed SDRAM
I/O Interface	Analog Voltage (0 ~10V) (IN1, IN2)
	Analog Current (4~20mA) (IN1, IN2)
	Pulse Input or Digital Input (IN1)
	RS232/RS485 Interface
Power Requirement	Power Supply Adaptor / VAC 110~220V, 50/60Hz, 12V/1A
Operating Temperature	0°C ~ 45°C (32 °F ~ 122°F)
Storage Temperature	-40°C ~ 85°C (-40°C ~ 185°F)
Relative Humidity	5% ~ 95% (Non-condensing)
Dimension	28mm x 86mm x 95mm (H x W x D)
Weight (Kg)	0.32Kg

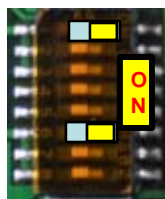
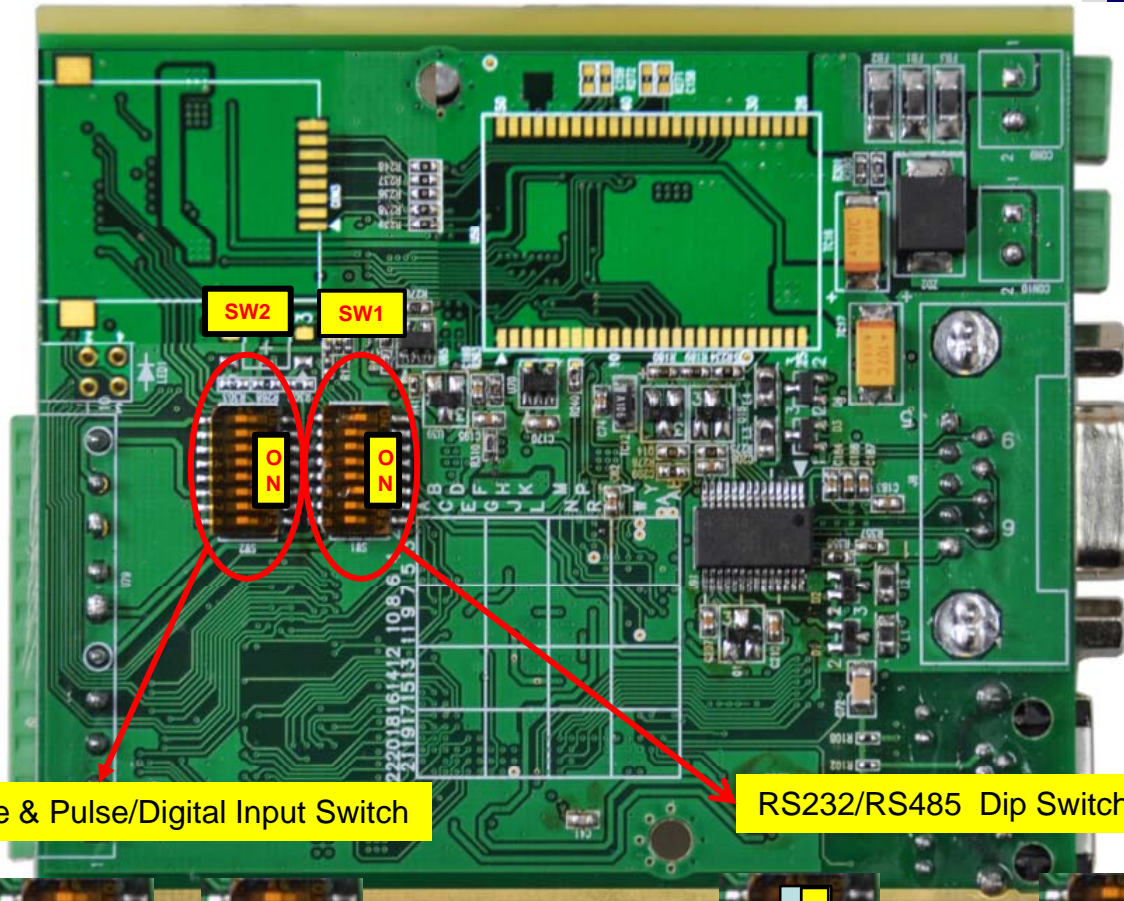
# Hardware Specification

AP-M2M100 M2M Device

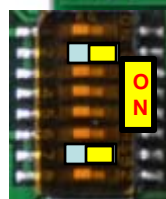
RISC  
CPU

High-end  
DSP

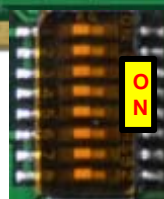
2x Configurable inputs (IN1, IN2)  
Analog 4-20mA  
Analog 0-10V  
IN1 : Digital Input or  
Pulse input



Current



Voltage

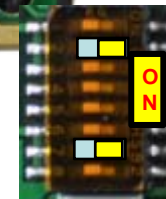


Pulse or  
Digital Input

[www.addpac.com](http://www.addpac.com)



RS232



RS485

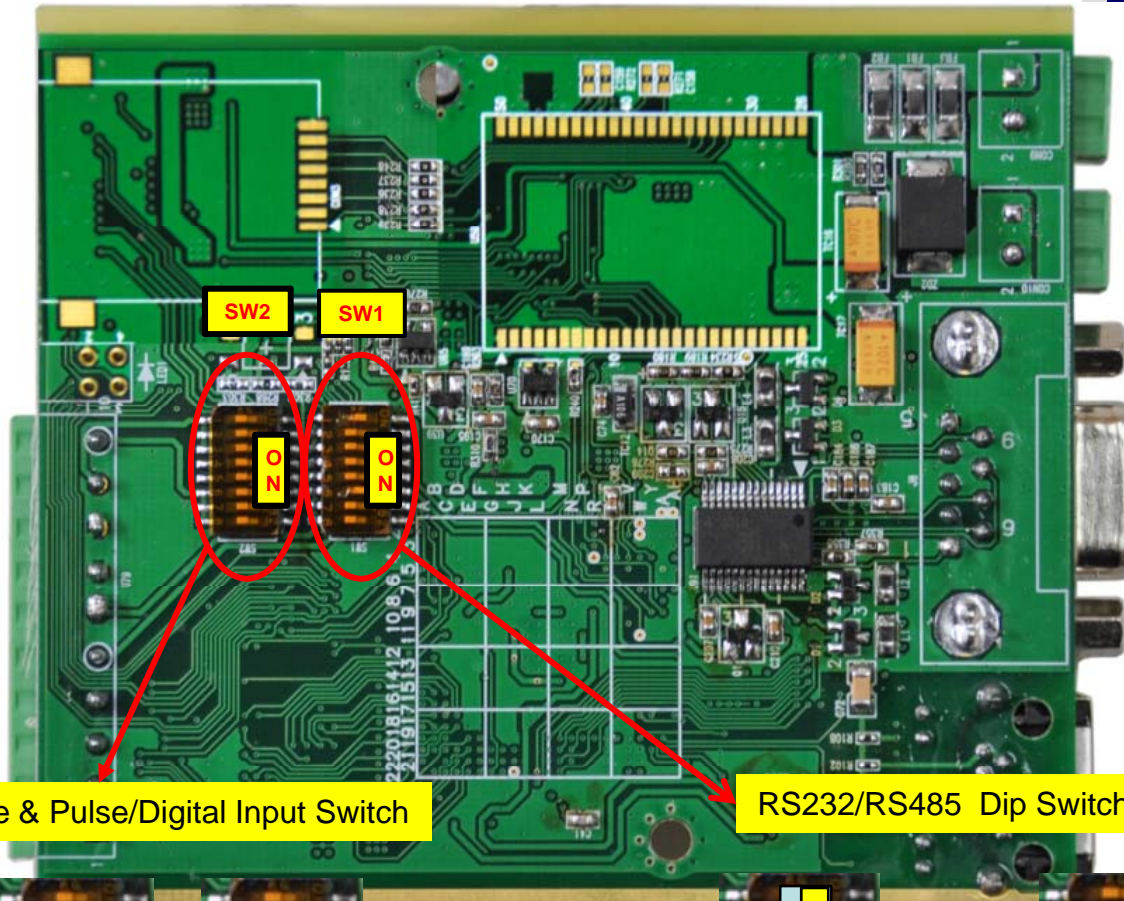
# DIP Switch Hardware Specification

AP-M2M100 M2M Device

RISC  
CPU

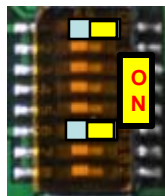
High-end  
DSP

2x Configurable inputs (IN1, IN2)  
Analog 4-20mA  
Analog 0-10V  
IN1 : Digital Input or  
Pulse input

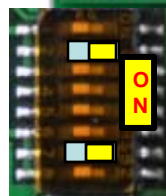


Current/Voltage & Pulse/Digital Input Switch

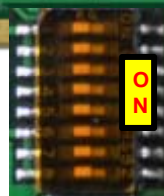
RS232/RS485 Dip Switch



Current



Voltage



Pulse or  
Digital Input

[www.addpac.com](http://www.addpac.com)



RS232



RS485



# Network Protocols

## AP-M2M100 M2M Device

### Basic Network Protocols

- ARP, IPv4, TCP, UDP, ICMP, SCTP, IGMP, MLD

### Routing Protocol

- IPv4 : Static, Option : RIP v2, OSPF

### Service Protocol

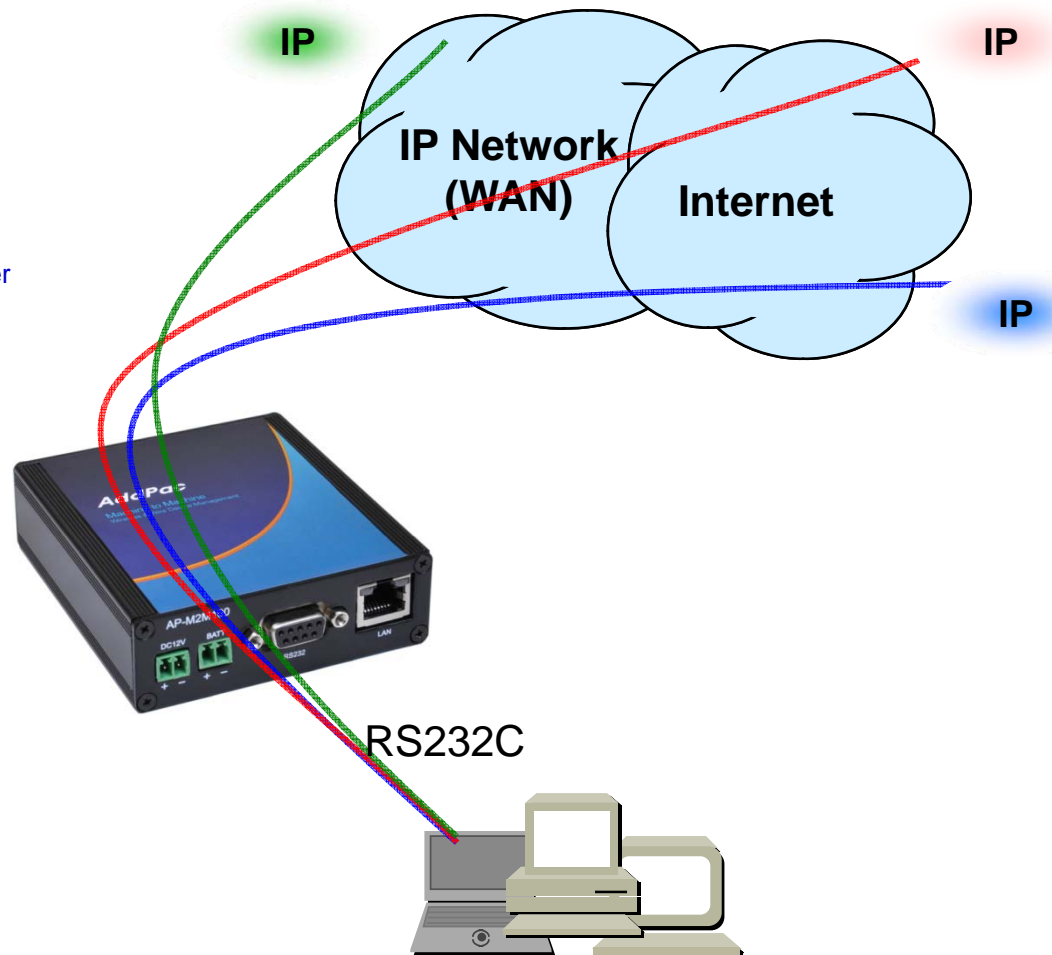
- FTP, Telnet, TFTP, DHCP Server/Relay, SNMP Server
- CDP (Cisco Discovery Protocol)
- DNS Resolver, DDNS(nsupdate)
- Bridge
- Syslog

### IPv4 Address Configuration

- Fixed (Static)
- DHCP
- PPPoE

### Miscellaneous

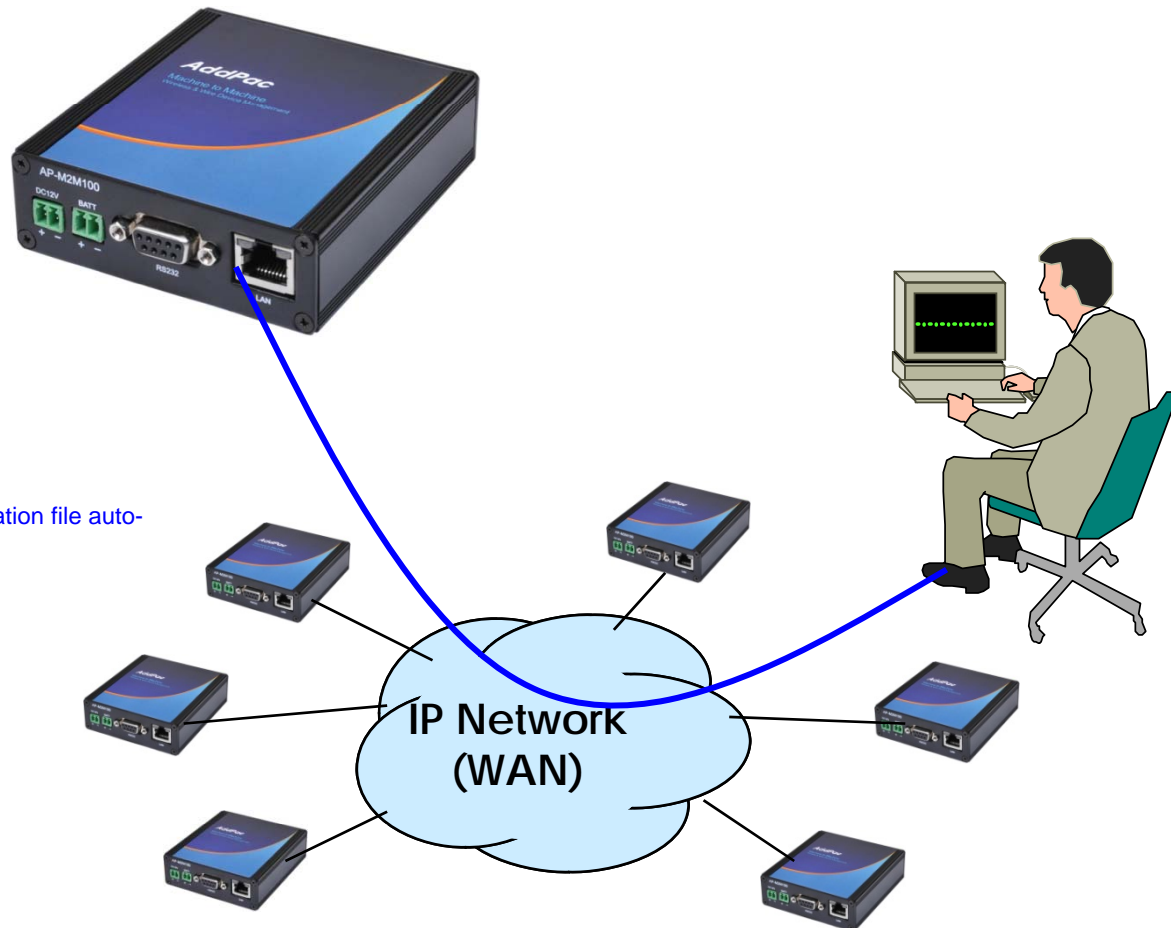
- Cisco Style CLI
- Standard & Extended IPv4 Access List
- Multi-level User Account Management
- IP accounting
- STUN Client



# Network Management

## AP-M2M100 M2M Device

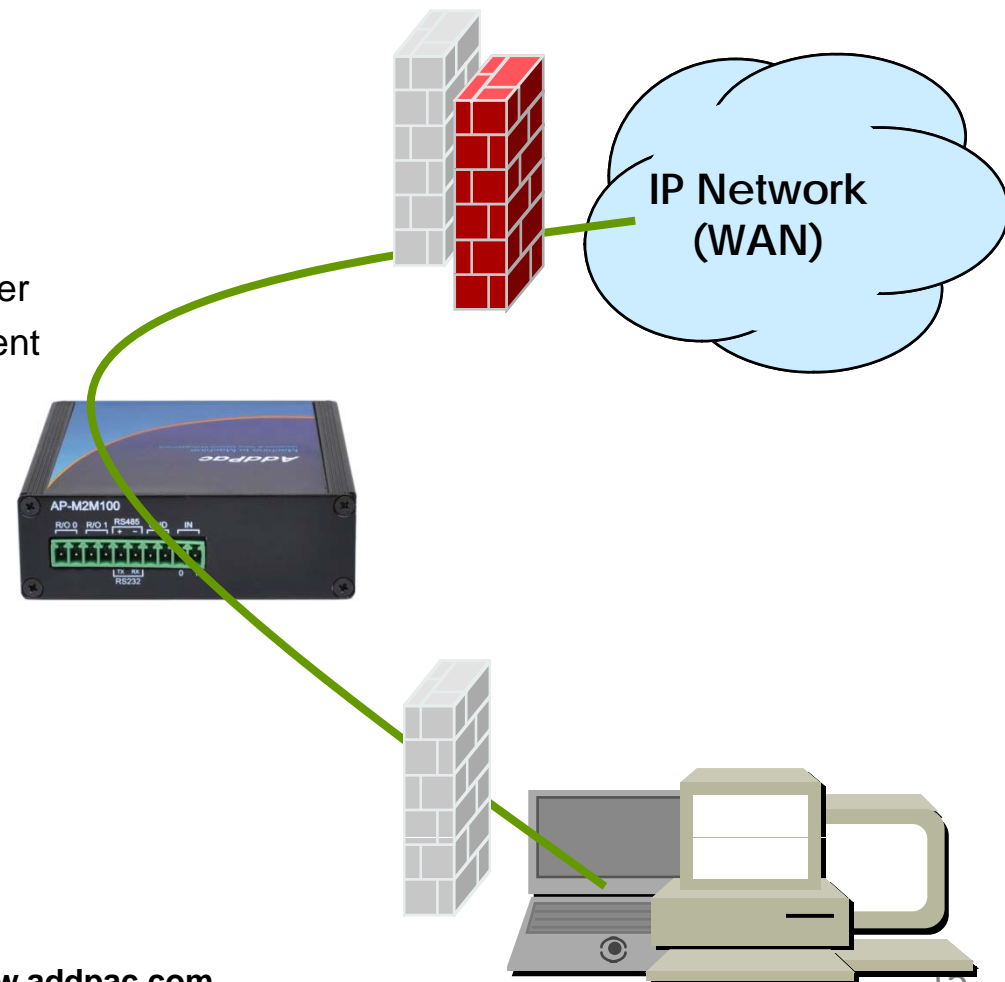
- **SNMP**
  - Standard Simple Network Management Protocol( SNMP) Agent support
  - MIB v1 and v2 Support
- **Web-based Management**
  - Smart Easy Setup
  - Standard Voice Interface
  - Standard PSTN Back-up Interface
- **Watch-dog Function**
  - Hardware, Software watch-dog services
- **Remote Management**
  - Telnet
  - Rlogin
- **Auto Upgrade Service**
  - HTTP server based APOS image and configuration file auto-upgrade support
- **Batch Job Function**
  - Text based script downloading
- **Interoperable with Smart NMS Service**
  - AddPac Smart NMS (Network Management System)



# Security Management

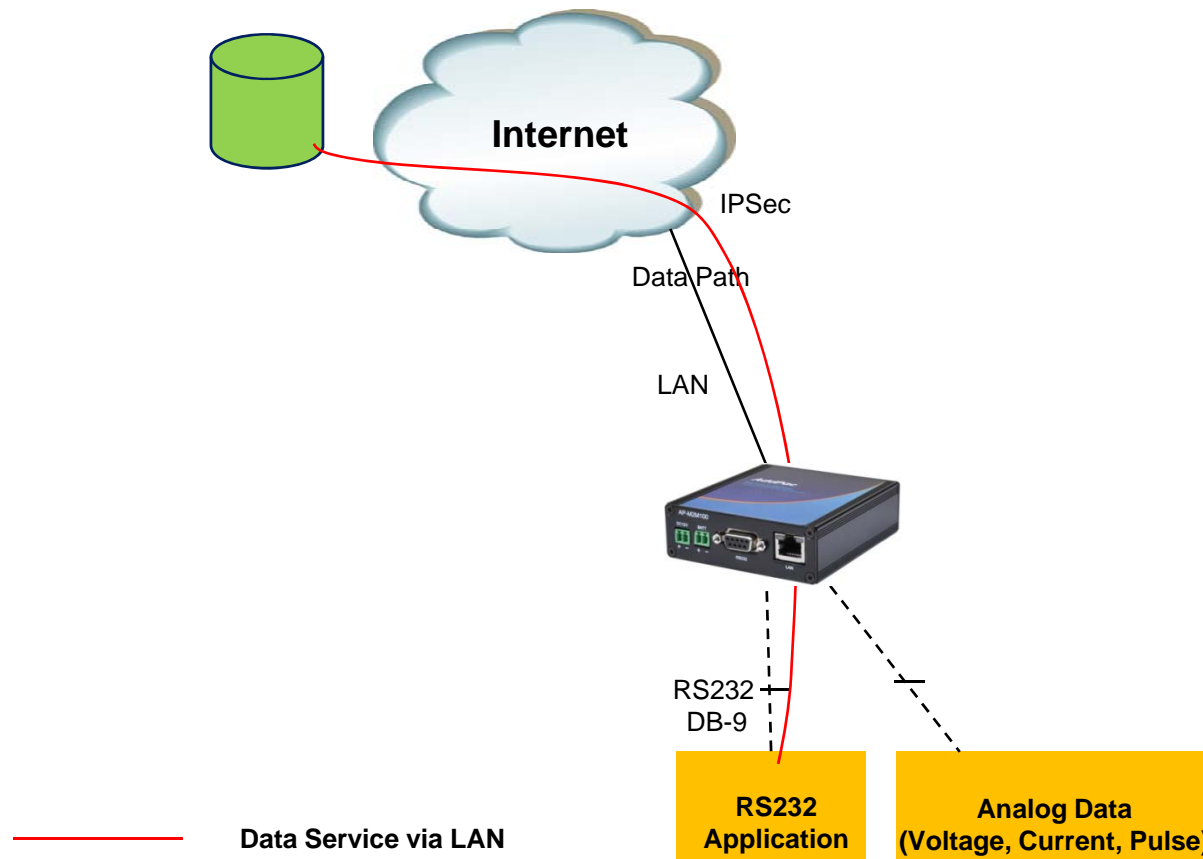
## AP-M2M100 M2M Device

- IP packet filtering
- IP access list
- User authentication function
  - Password Authentication Protocol (PAP)
  - Challenge Handshake Authentication Protocol (CHAP)
- Enable/Disable specific protocols
- Auto-square connect of Telnet session
- Account Management function for multi-level user
- SNMP/TELNET/FTP/HTTP/TFTP port assignment function
- SNMP/TELNET/FTP access list management
- Boot mode security checking function



# M2M Application (Example : ATM Machine)

AP-M2M100 M2M Device





# Ordering Information

- **AP-M2M100 M2M Device Hardware**
  - AP-M2M100 M2M Device Main Body
  - RISC Microprocessor with High-end Programmable DSP Architecture
  - 1-Port 10/100Mbps Fast Ethernet(RJ45)
  - 1-Port RS232C Serial Interface (DB-9)
  - I/O Interface : Relay Out, Alarm Input, Analog Voltage, Current Input
  - Including Network Cable, Antenna & Ext. Power Supply, etc.
- **Built-in APOS Internetworking Software for AP-M2M100**
- **Including 1 Year Hardware Warranty**
- **Product Documents**
  - Install and Operation Guide (PDF)
- **Pricing**
  - AddPac Technology Regional Sales Manager
  - Authorized Sales and Marketing Representatives
  - Please Contact [www.addpac.com](http://www.addpac.com)

# M2M Device Series

# Thank you!

**AddPac Technology Co., Ltd.**  
Sales and Marketing

Phone +82.2.568.3848 (KOREA)

FAX +82.2.568.3847 (KOREA)

E-mail [sales@addpac.com](mailto:sales@addpac.com)