

Enterprise Analog Door Phone Solution

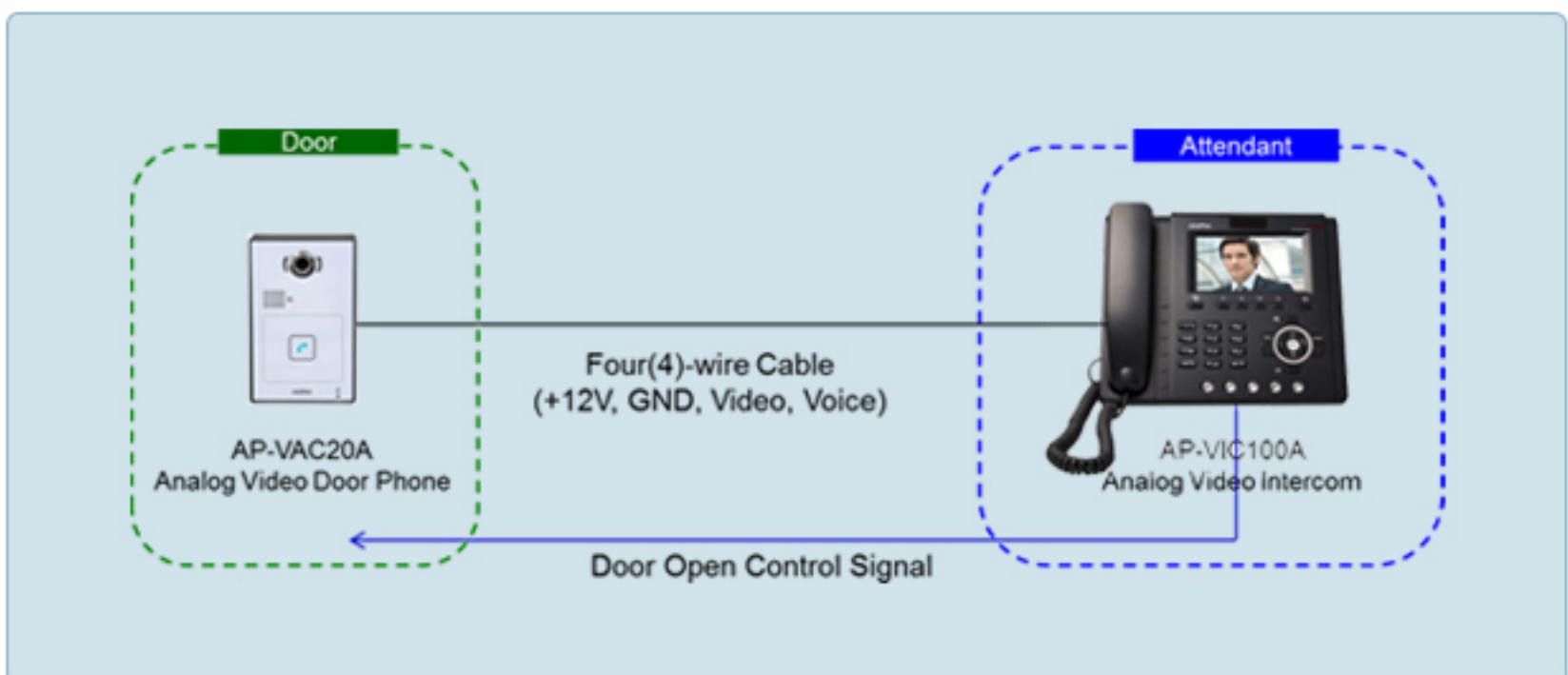


AddPac enterprise analog video door phone solution consists of AP-VAC20A analog video door phone and AP-VIC100A analog video intercom. AP-VIC100A enterprise analog video intercom controls visitor access through video screen. It has an excellent video quality by interworking with AddPac AP-VAC20A analog video door phone at door side. AP-VIC100A is an analog video intercom that allows you to make high quality voice communication and video monitoring service with analog video door phone by using analog four(4) line UTP cable. Also, this product provides high quality 5 inch LCD video screen for better video quality. Now, the criteria of choosing an analog video intercom are high quality video and easy connection issue. AP-VAC20A analog video door phone is combination of analog voice/video processing technology. AP-VAC20A provides analog based high quality video camera and one(1) touch call button with back light indication. And it gets power feeding from external analog video intercom device at remote side using four(4) line wiring (+12V, Video, Voice, GND).

Enterprise Analog Door Phone Solution Table

AP-VAC20A Analog Video Door Phone	AP-VIC100A Analog Video Intercom
	
<ul style="list-style-type: none"> • Analog Video Door Phone Solution • High Quality Video Camera • One(1) Touch Call Button (Back Light Support) • Internal MIC & Speaker • Power Feeding from External Analog Video Door Intercom • Four(4) Line Wiring : +12V, Video, Voice, GND 	<ul style="list-style-type: none"> • Analog Video Intercom Solution • 5 Inch TFT Color LCD Display • Internal MIC & Speaker • Speaker Phone Function Support • Mute Function Support • Handset Support • Four(4) Line Wiring : +12V, Video, Voice, GND • Video Information Setting by Menu Key : Brightness, Contrast, etc • Power Feeding to External Analog Video Door Phone • Door Open Key Support

Network Diagram



AddPac Technology Co.,Ltd.

AddPac Texhnology (Korea-Head Office)
 Phone +8225683848
 Email sales@addpac.com