

AV6000N

Full HD Video Codec Module

High-performance IP based HD Video Transmission
Solution

Preliminary Product Overview

(Without notice, following described technical spec. can be changed)



AddPac

AddPac Technology

Sales and Marketing

www.addpac.com

Contents

- Product Overview
- AV6000N Hardware Specification
- AV6000N Technical Specification
- AV6000N IP Video Codec Latency
- AV6000N Hardware Platform
- Software Service
- RTSP Service Network Diagram
- RTSP Service Features
- Network Service and Features
- Application
- Ordering Information

Product Overview

AV6000N Full HD Video Codec Module

- Full HD (1080i) Video Encoding/Decoding Service Features
- Video Codec : H.264 HP/MP/BP
- **Robust H.264 Temporal Domain SVC(Scalable Video Codec) Support**
- Video Input Interface : HDMI, HD-SDI, Analog (NTSC, PAL)
- Video Output Interface : HDMI, HD-SDI, Analog (NTSC, PAL)
- Triple Bit Streaming Support
- RTSP/RTP, TCP/UDP Protocol Support
- AES_EBU HD-SDI Audio Service Support
- IP based Dolby Relay Support
- IP based Full HD Video Transmission Solution
- High-performance Video, Audio, and Voice Service
- Firmware Upgradeable Architecture
- Video Solution with Outstanding Network Service Capability
- Web based Management Service
- AP-NC2000, AP-NC3000, AP-NC3500, AP-NC5000 Platform Available

Hardware Specification

AV6000N Full HD Video Codec Module

RISC
CPU

High-End
VP

- **RISC + Video Processor Computing Power**
- **AV6000N Video Module**
 - **Network Interface**
 - One(1) 10/100/1000Mbps Gigabit Ethernet
 - **Video Interface**
 - One(1) Channel HD-SDI Input
 - One(1) Channel HDMI Input
 - One(1) Channel CVBS Input or Output (selected by DIP Switch)
 - One(1) Channel HD-SDI Output
 - One(1) Channel HDMI Output
 - **One(1) RS-232 Console Interface (RJ45)**
 - **Camera Control Interface**
 - One(1) RS-232C, RS422, RS485 Interface for External Camera Control
 - **I/O Interface**
 - Two(2) Alarm Input /One(1) Relay Out

Hardware Specification

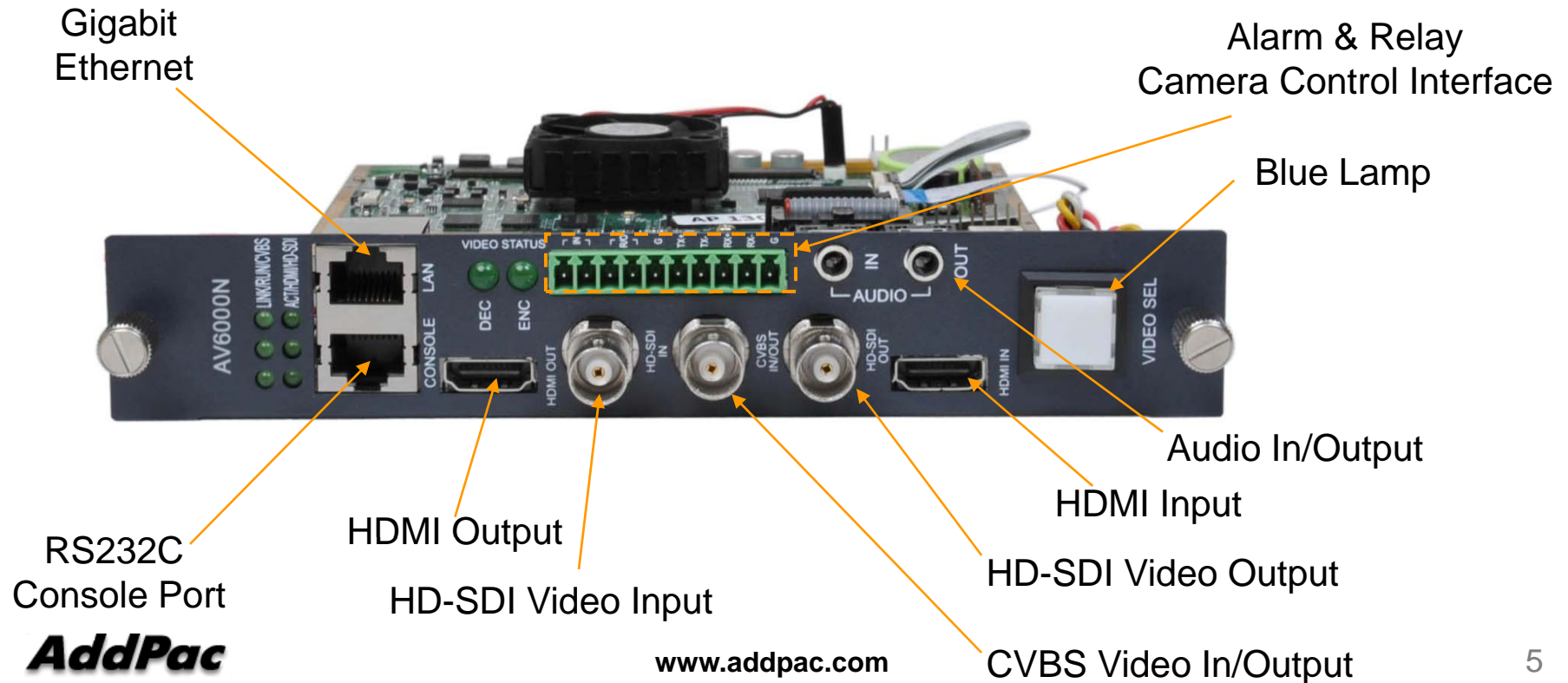
AV6000N Full HD Video Codec Module

RISC
CPU

High-End
VP

Hardware Module Specification

AV6000N HD Video Encoder/Decoder Module(H.264)



AV6000N Technical Specification

AV6000N Full HD Video Codec Module

RISC
CPU

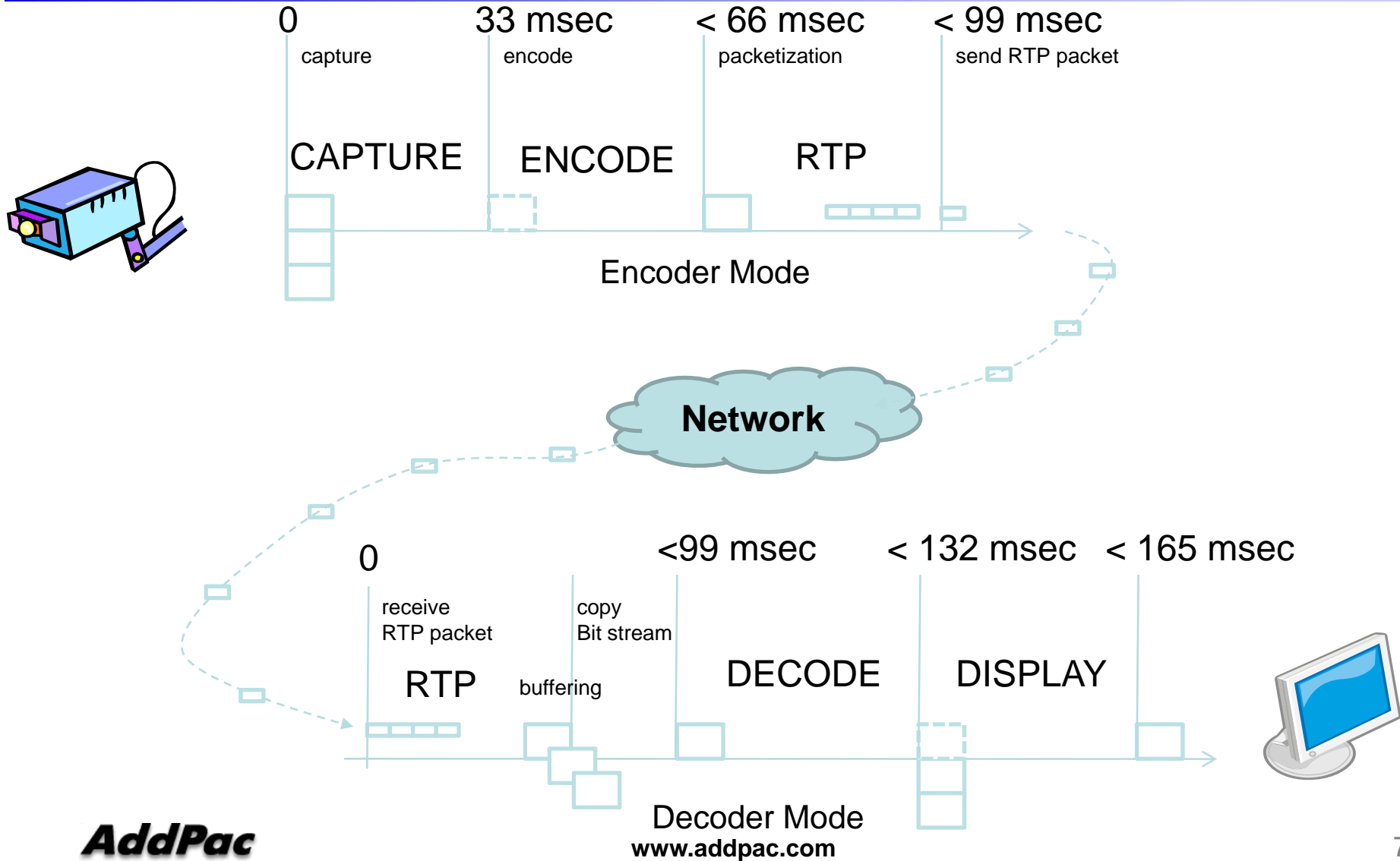
High-End
VP

AV6000N Specification

Video	Input	HD-SDI, HDMI, Analog CVS
	Output	HD-SDI, HDMI, Analog CVS
	Format	1080i/P, 720P, D1(NSTC, PAL)
	Coding	H.264 (HP/MP/BP)
Audio	Input	4 x AES pair in HD-SDI(AES_EBU), 1 x Analog Stereo Pair
	Output	4 x AES pair in HD-SDI(AES_EBU), 1 x Analog Stereo Pair
	Coding	Dolby Pass-Thru(Relay), AAC, G.711, G.726, etc
Network Interface		1 x 10/100/1000Mbps Gigabit Ethernet, 1 x RS232 Interface for Console
Protocol		RTSP (TCP, UDP), RTP

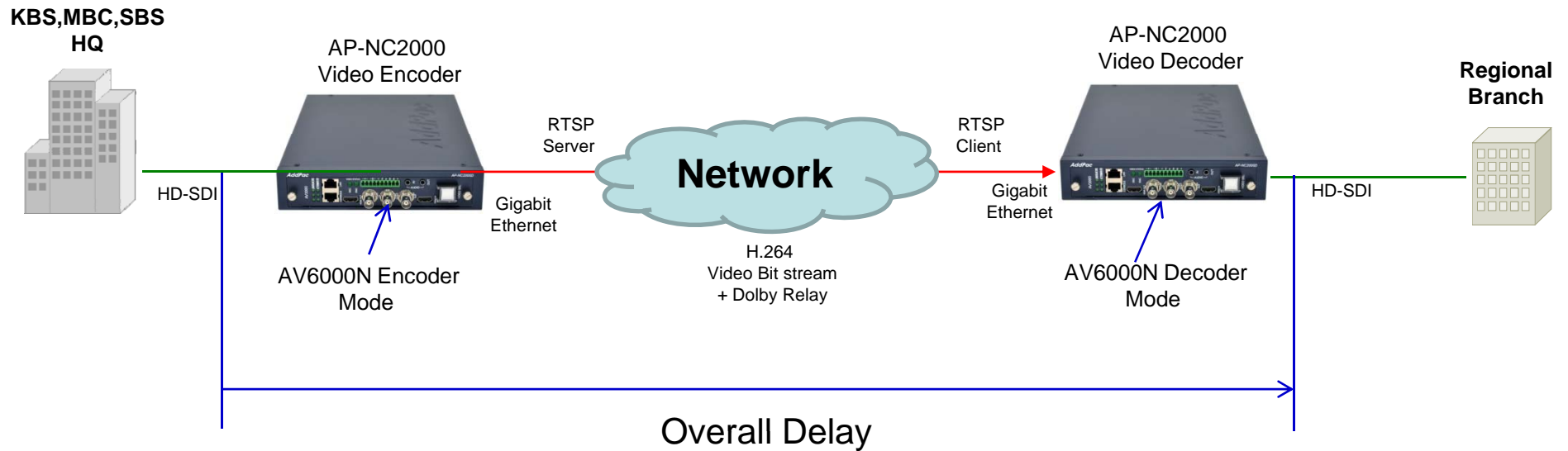
AV6000N IP Video Codec Latency

AV6000N Full HD Video Codec Module



AV6000N IP Video Codec Latency





AV6000N Full HD Video Codec Module



Overall Delay =< 165msec + Network Delay + RTP Rx Buffering Delay

Hardware Platform for AV6000N

AV6000N Full HD Video Codec Module

	AP-NC2000	AP-NC3000	AP-NC3500	AP-NC5000
Model				
Module Slot	1 Module Slot	2 Module Slot	4 Module Slots	10 Module Slots
Power Supply	Internal Power Module(AC)	Internal Power Module (AC)	Internal Power Module (AC)	Internal Power Module (AC)
Power Type	Built-In	Built-In	Built-In	Module Type

Hardware Platform for AV6000N (Example)

AV6000N Full HD Video Codec Module

AP-NC2000 Front View



AV6000N Full HD Video Module



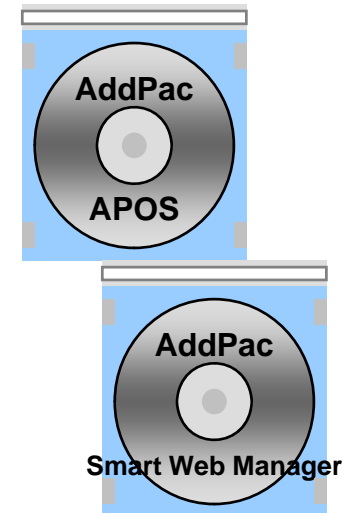
AC Power Input

Power On/Off Switch

Software Service

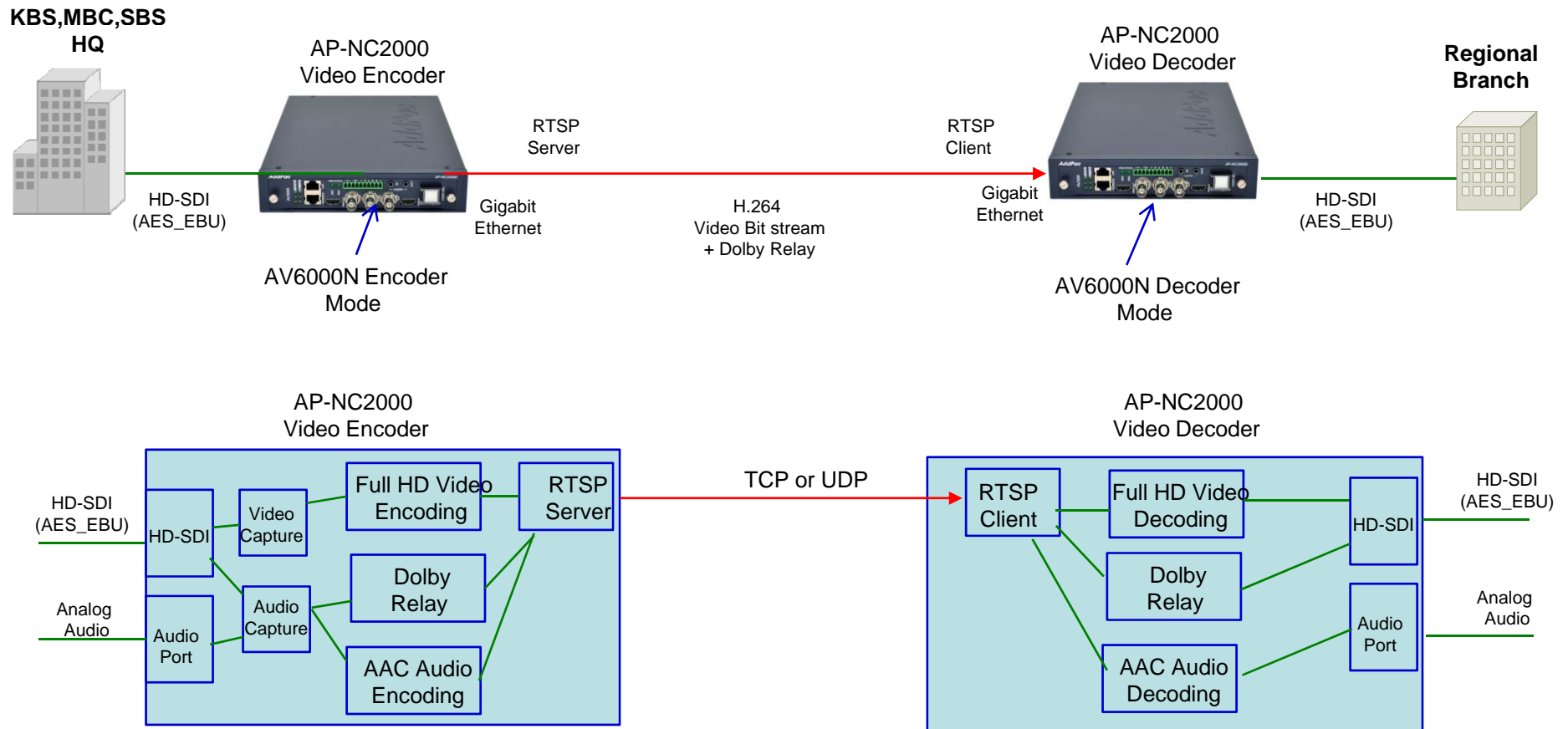
AV6000N Full HD Video Codec Module

- **Built-in AddPac APOS Internetworking Software**
 - Scalability, Functionality, and Stability Features
 - Full HD Video Encoding/Decoding Service Features
 - Video Upscale and Downscaling Service
- **Firmware Upgradeable Architecture**
- **Industry Standard Network Protocol Features**
- **Highly User Friendly Management Features**
 - Smart Web Management
 - Telnet or RS-232C based Command Line Interface



RTSP Service Network Diagram

AV6000N Full HD Video Codec Module



RTSP Service Features

AV6000N Full HD Video Codec Module

- AV6000N Video Encoder Mode
 - RTSP Server Mode
 - Multi-Channel RTSP Server Mode
 - RTSP, TCP Protocol Support for Error Robust Service
- AV6000N Video Decoder Mode
 - RTSP Client Mode
 - RTSP/TCP or RTSP/UDP Mode Support

Network Service and Features

AV6000N Full HD Video Codec Module

Basic Network Protocols

- ARP, IPv4, TCP, UDP, ICMP, SCTP, IGMP, MLD

Routing Protocol

- IPv4 : Static

Service Protocol

- FTP, Telnet, TFTP, DHCP Server/Relay, SNMP Server
- CDP (Cisco Discovery Protocol)
- DNS Resolver , DDNS(nsupdate)
- Bridge
- Syslog

IPv4 Address Configuration

- Fixed (Static)
- DHCP
- PPPoE

Miscellaneous

- Standard & Extended IPv4 Access List
- Multi-level User Account Management
- IP accounting

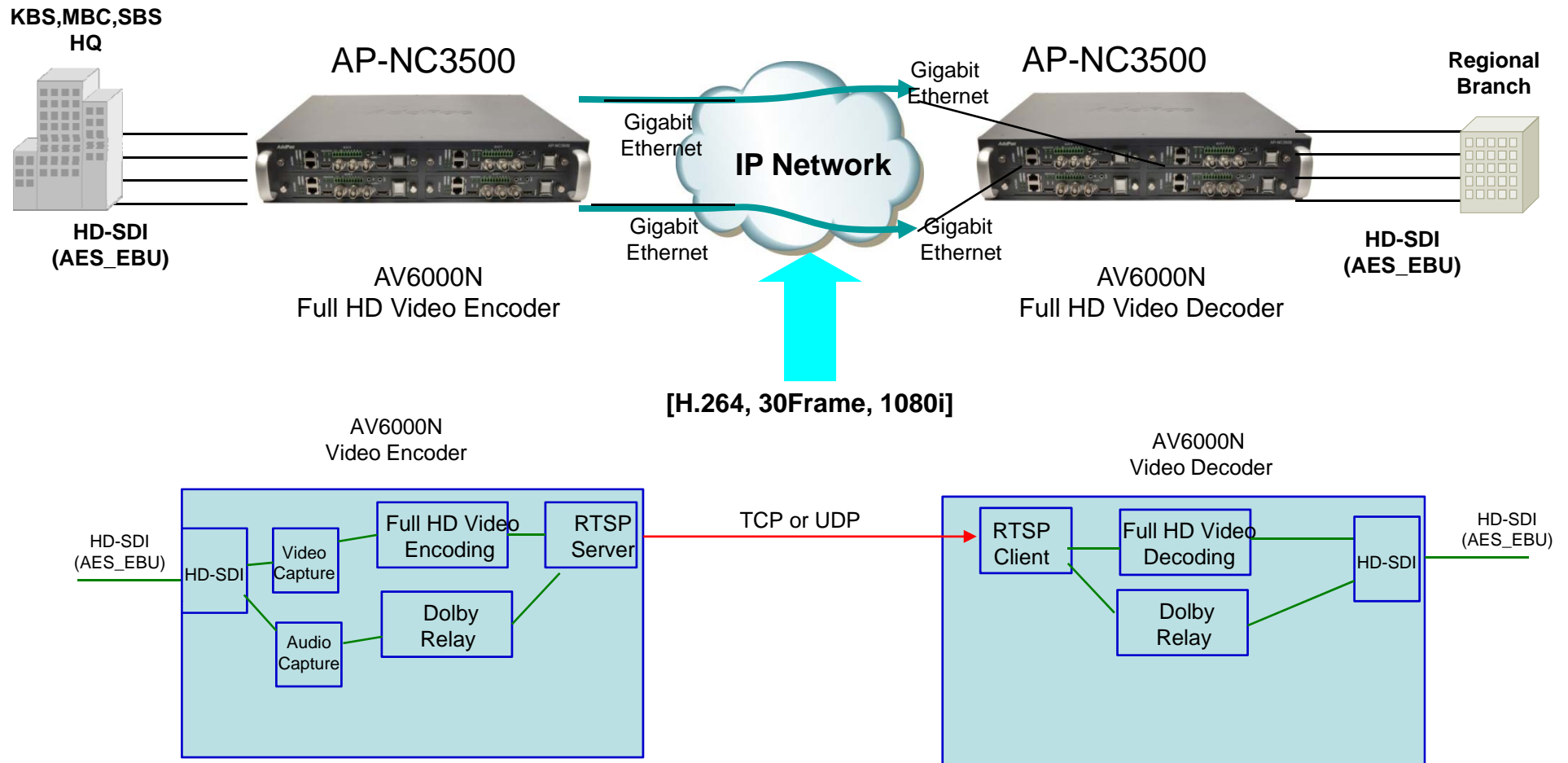
AV6000N Full HD Video Codec

Application Area

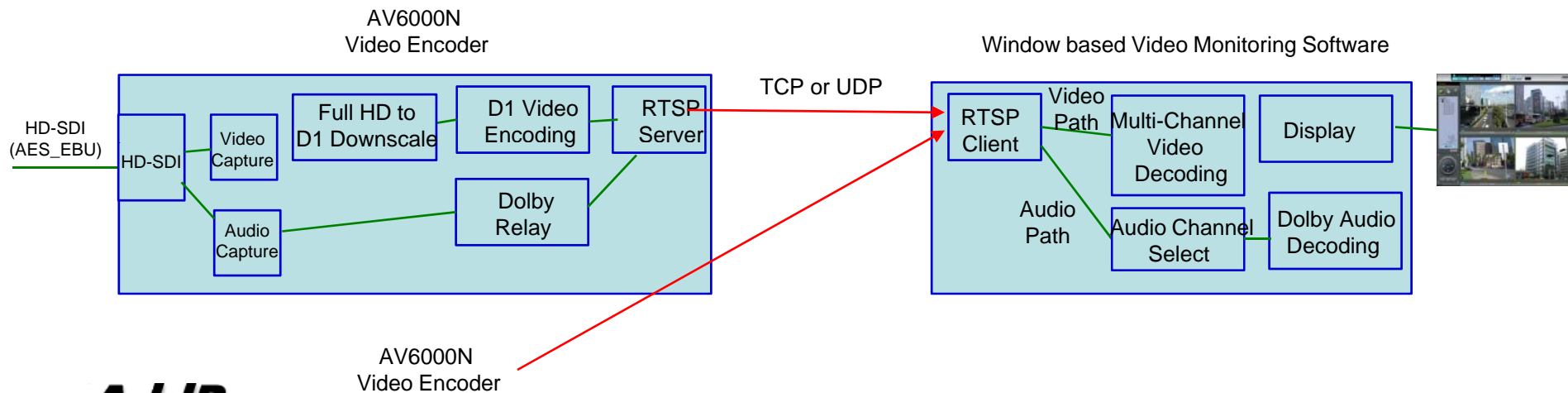
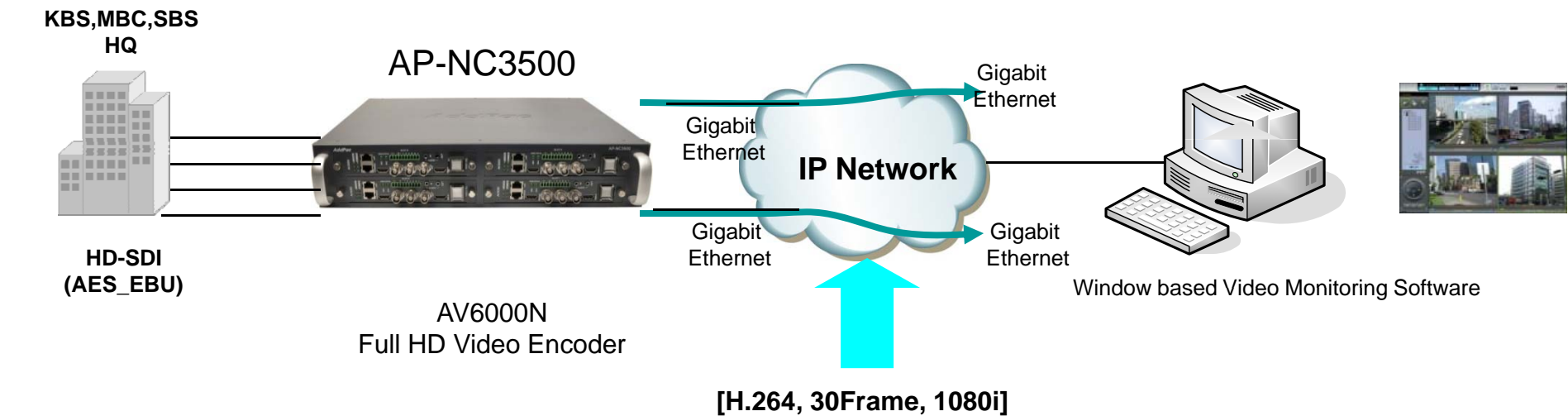
- Video Line Extension
- Video Line Monitoring



Video Line Extension



Video Line Monitoring



Ordering Information

- AV6000N Full HD Video Codec Module
 - Main Chassis (Option) : AP-NC2000, AP-NC3000, AP-NC3500, AP-NC5000
 - AV6000N Full HD Video Codec Module
 - Including Network Cable Set & Power Supply Cable, etc
- Built-in APOS Internetworking Software for AV6000N Video Codec Module
- Including 1 Year Hardware Warranty
- Product Documents
 - Install and Operation Guide (PDF)
- Pricing
 - AddPac Technology Regional Sales Manager
 - Authorized Sales and Marketing Representatives
 - Please Contact www.addpac.com



Thank you!

AddPac Technology Co., Ltd.
Sales and Marketing

Phone +82.2.568.3848 (KOREA)

FAX +82.2.568.3847 (KOREA)

E-mail sales@addpac.com