



# AP-EIP90 Emergency Call IP Phone

HW Design Concept



**AddPac**

**AddPac Technology**

2013, Sales and Marketing

# Contents

- Hardware Specification
- Hardware Block Diagram

# Hardware Specification

## AP-EIP90 Emergency Call IP Phone

- RISC+DSP Microprocessor Computing Power
- Audio and Voice Interface
  - Internal MIC
  - Internal Speaker
- Emergency Call Button & LAMP
- Network Interface
  - One(1) 10/100Mbps Fast Ethernet
- Alarm & Relay Out Interface (door open, etc)
- RS232/RS485 Interface
- External RCA Audio Line Out and MIC In (back side)
- Power Supply
  - Power over Ethernet (Option)
  - External Power Adaptor
- Die-Casting STILL Chassis

# Hardware Specification

AP-EIP90 Emergency Call IP Phone

## Front Side



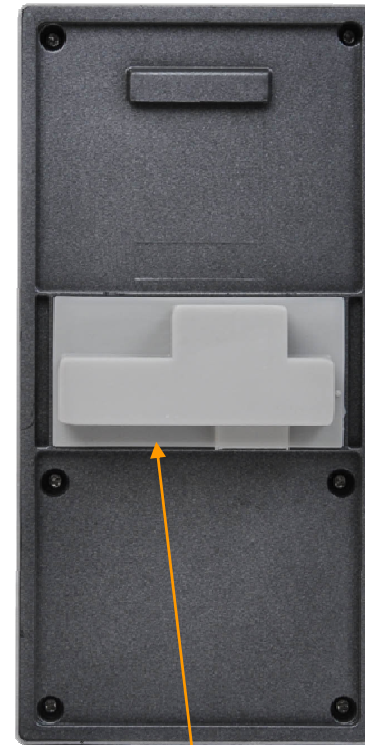
# Hardware Specification

AP-EIP90 Emergency Call IP Phone

## Back Side



Backside Wall Mount Bracket

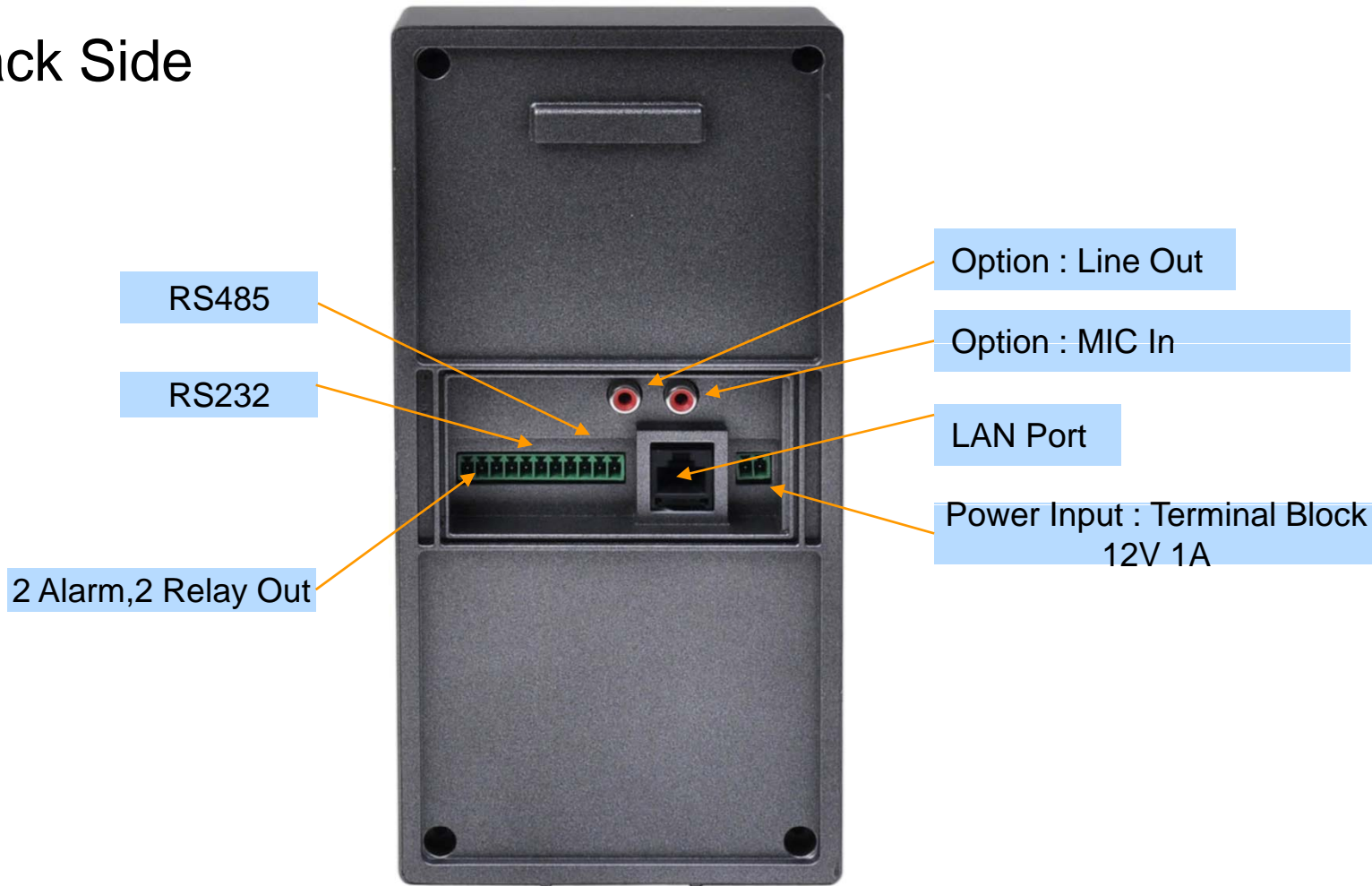


Rubber Cover for Water Protect

# Hardware Specification

AP-EIP90 Emergency Call IP Phone

## Back Side



# Hardware Specification

## AP-EIP90 Emergency Call IP Phone

### Power Supply

Terminal Block



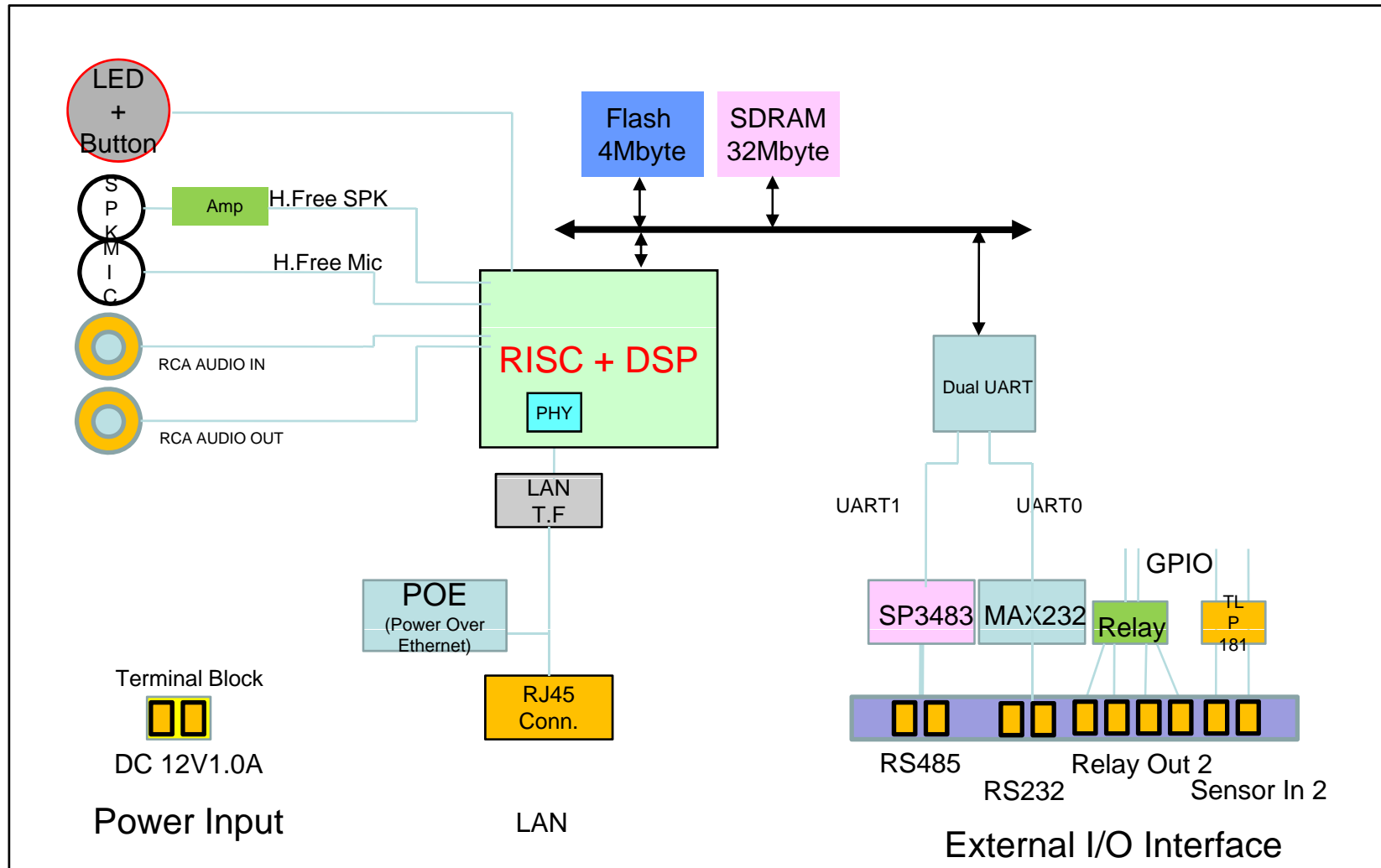
12V 1A Power Adaptor

Example



# Hardware Block Diagram

AP-EIP90 Emergency Call IP Phone







# Thank you!

**AddPac Technology Co., Ltd.**  
Sales and Marketing

Phone +82.2.568.3848 (KOREA)

FAX +82.2.568.3847 (KOREA)

E-mail [sales@addpac.com](mailto:sales@addpac.com)