



IPNext2000™

NGN IP-PBX System

High-performance Fault Tolerant IP-PBX Solution

Media Service Features



AddPac

AddPac Technology

2009, Sales and Marketing

www.addpac.com

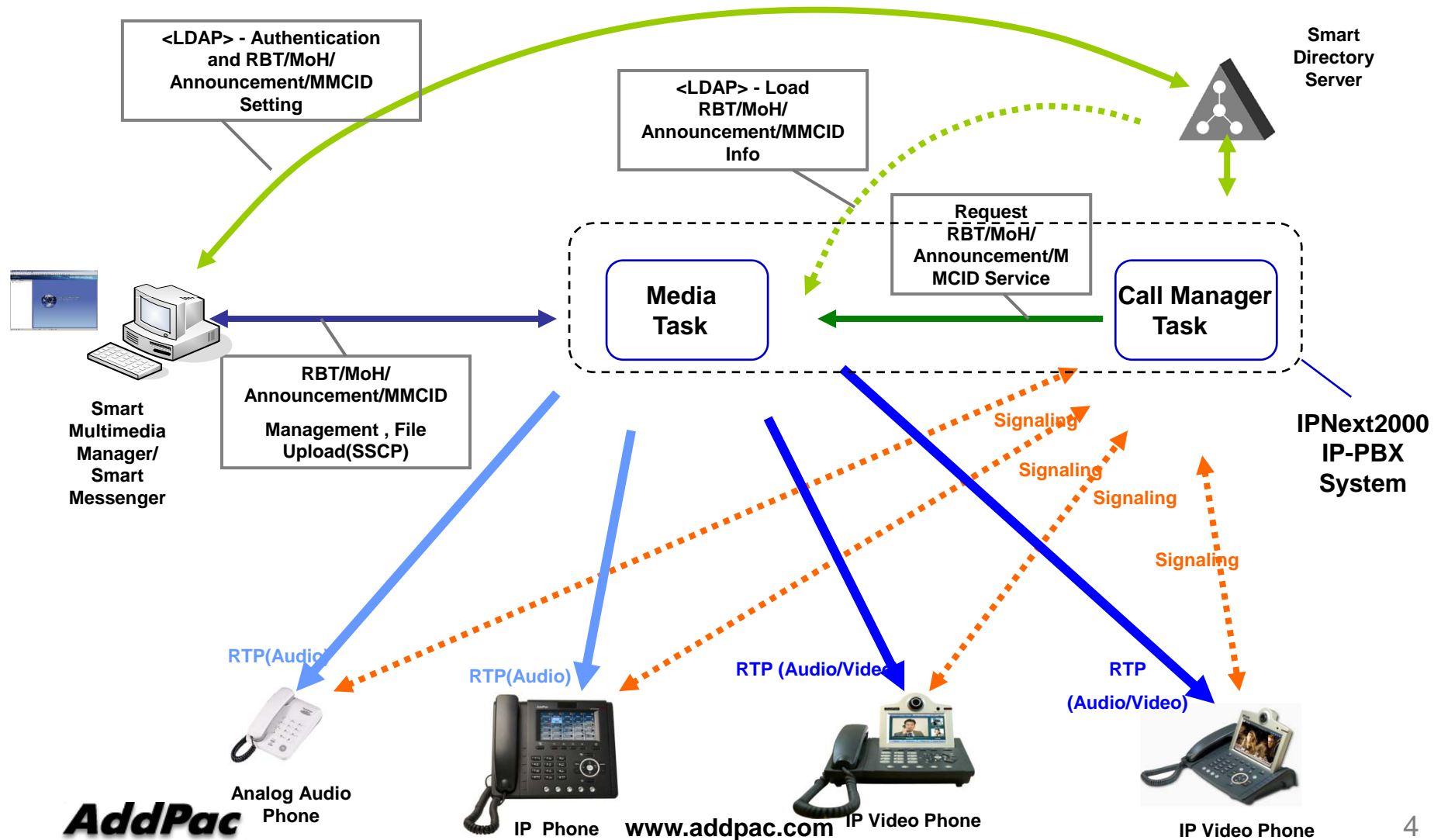
Contents

- Product Overview
- Media Service Data Flow Diagram
- Media Service Call Flow Diagram
- Media Service Codec
- Media Service Announcement
- Application Service

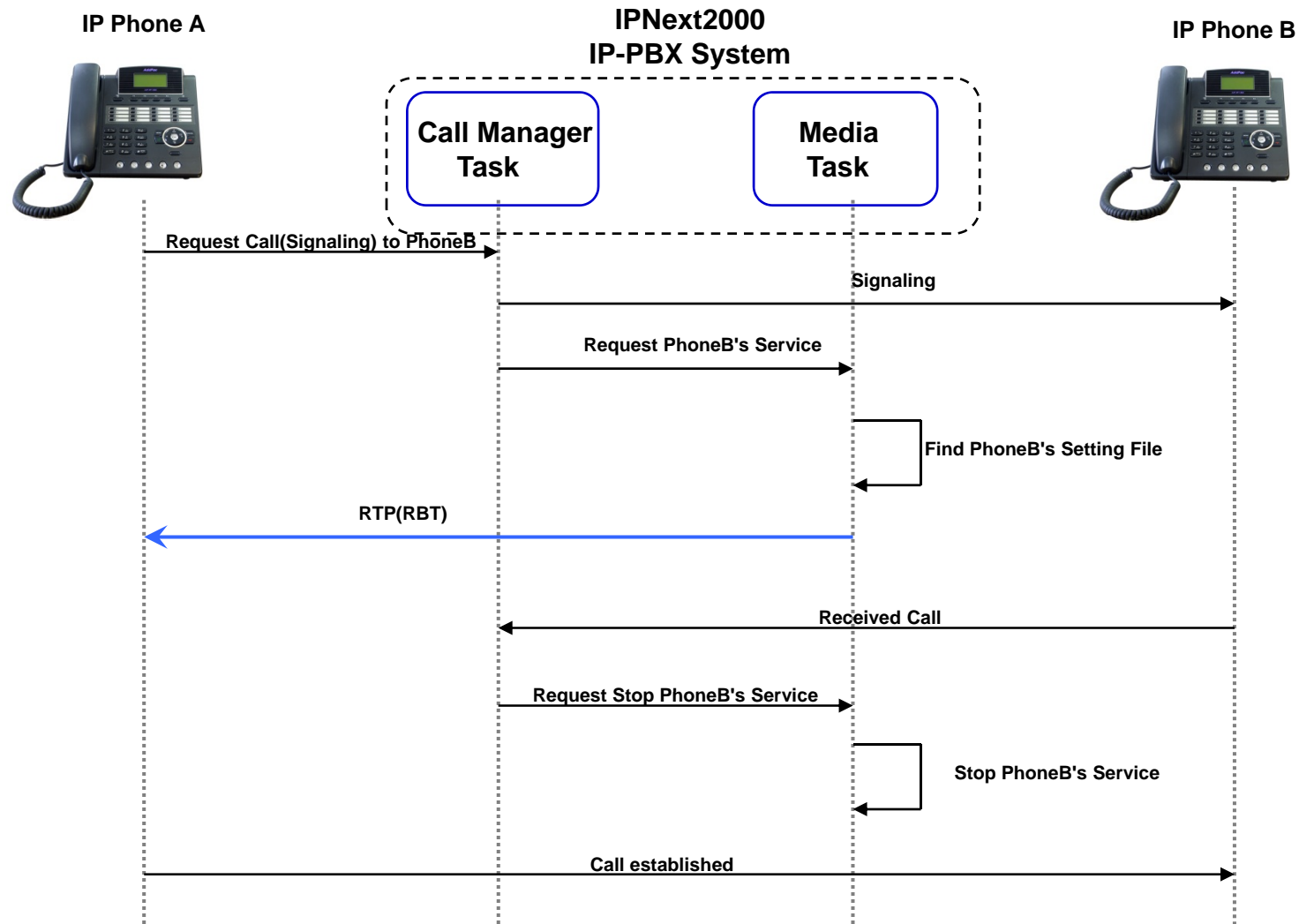
Product Overview

- Powerful IP-PBX for Small & Medium Enterprise
- System Duplication using Dual System Processor Boards
- Smart Management and User Friendly Features
- Fault Tolerant and Scalability Architecture
- Media Service Features
 - RBT/MoH/MMCID Service
 - RBT/MoH/MMCID Schedule Holiday) Support
 - Announcement Schedule(Holiday) Support
 - Announcement Package Distribution
 - Announcement/RBT/MoH/MMCID Audio/Video Support
- Firmware Upgradeable Architecture
- Two(2) Fast Ethernet Interface/System Processor Board
- One(1) RS-232C Port for CLI/System Processor Board
- Hot-Swap Feature

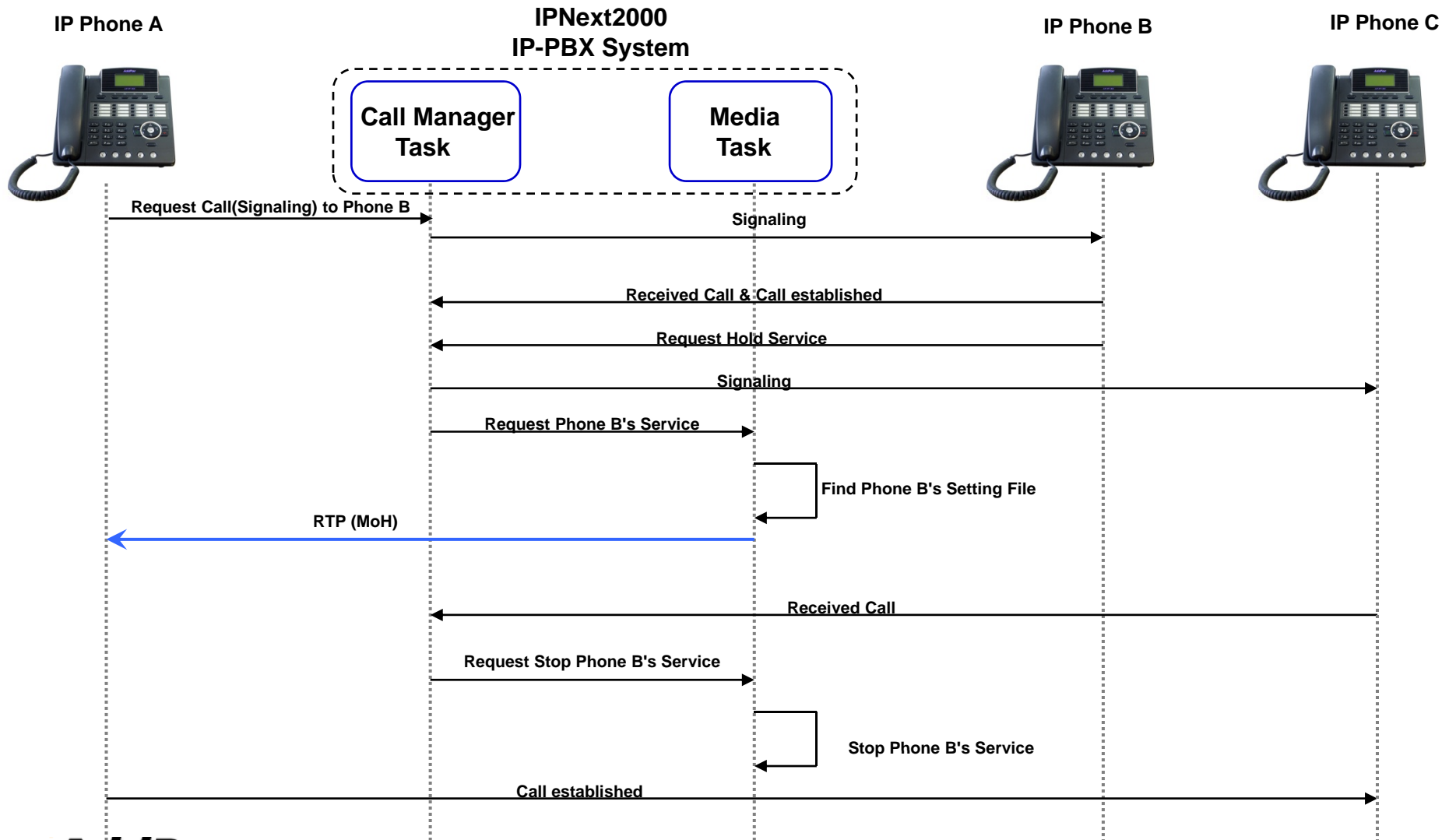
Media Server Data Flow Diagram



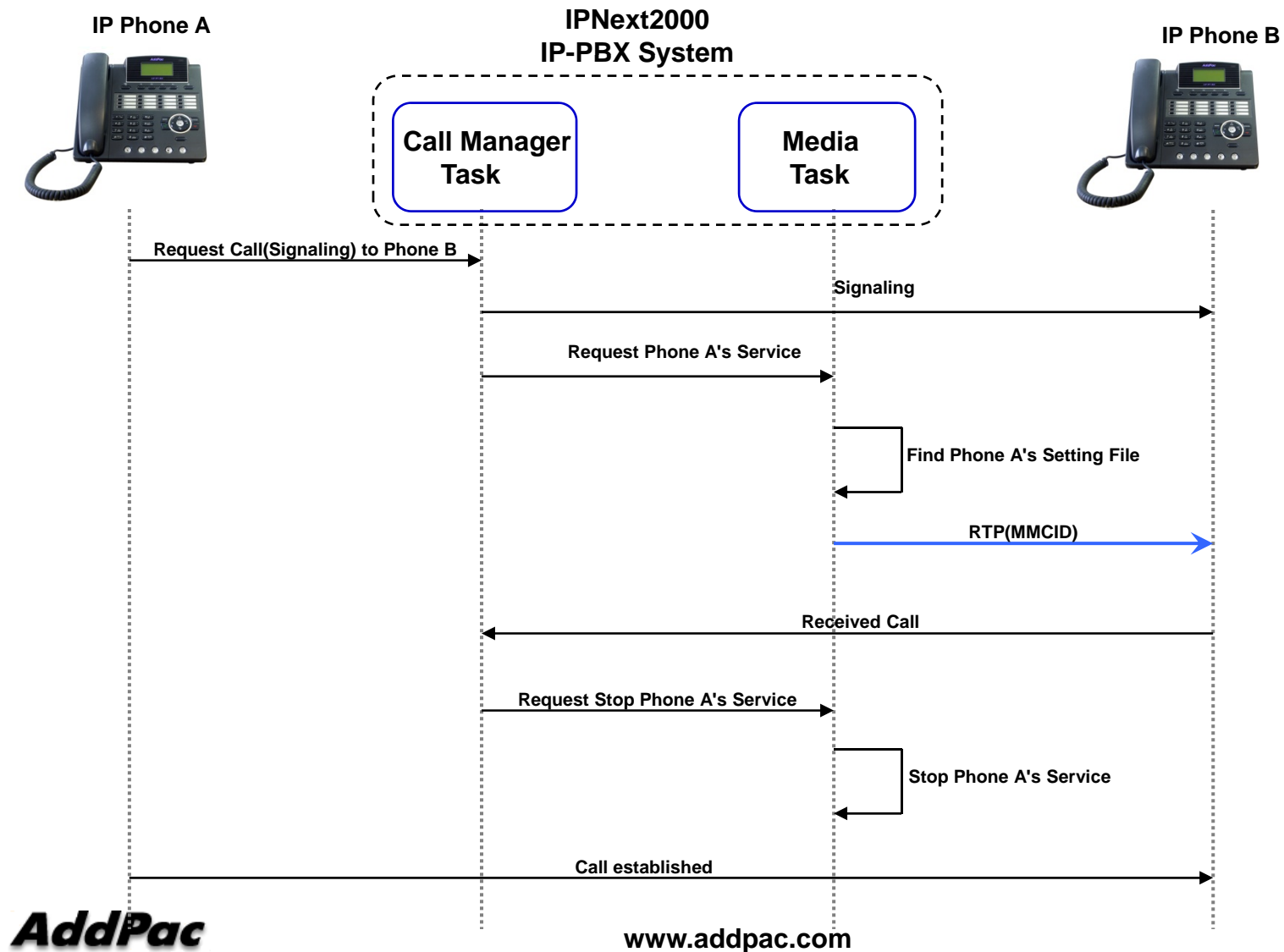
Media Server Call Flow Diagram (Ring Back Tone)



Media Server Call Flow Diagram (MoH : Music on Hold)



Media Server Call Flow Diagram (MMCID : Multimedia Caller ID)



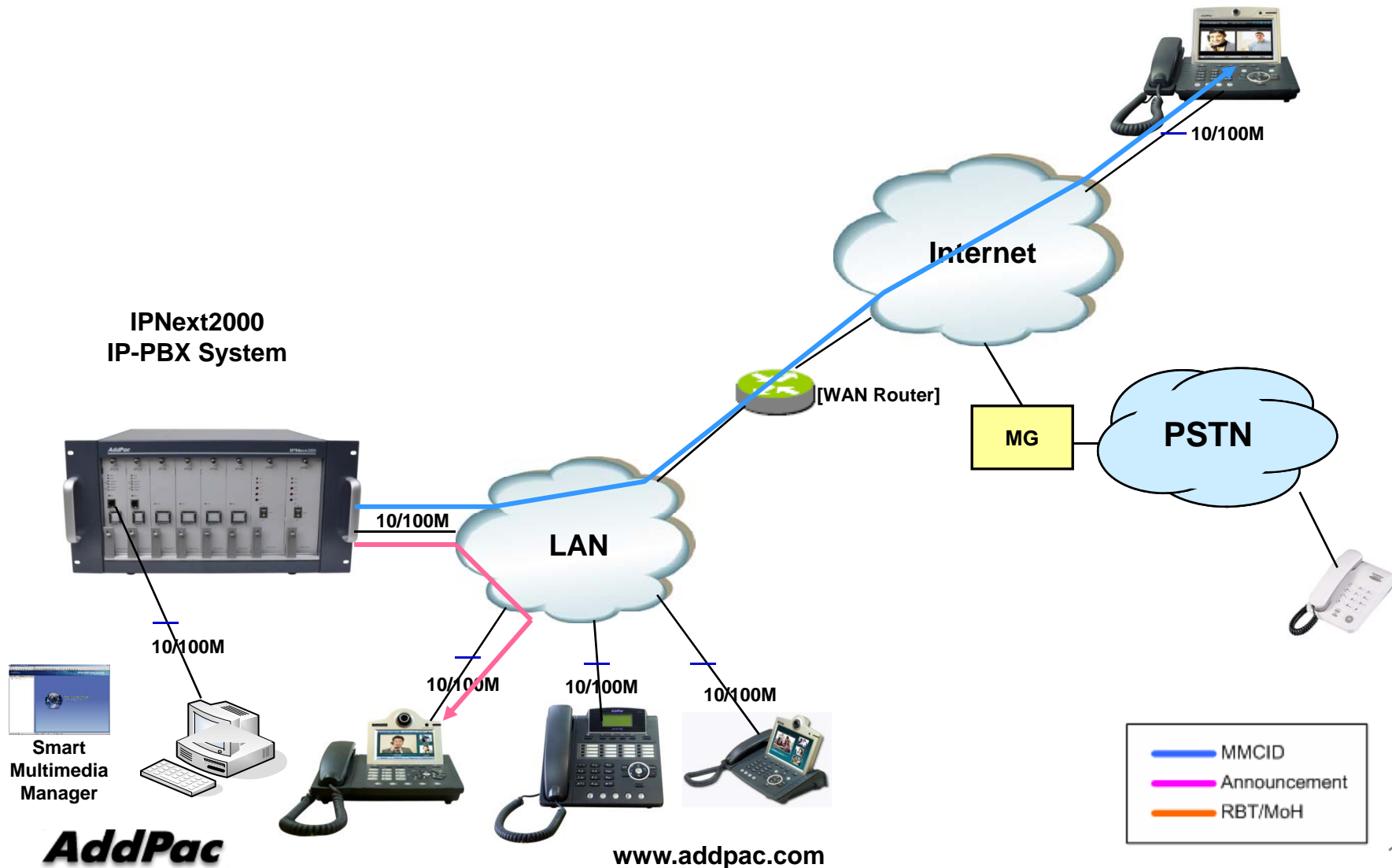
Media Server Support Codec

Audio/Video	Codec
Audio	G711u
	G711a
	G729
Video	MPEG4
	H.263

Announcement Service

Service	Name	Description
Dial Tone	Normal Dial-tone	Hearing Tone When off-Hook("ttou")
	Virtual Dial-tone	Hearing tone when a user try to external outbound call (9T). Little bit difference with normal tone
	Consult tone	Hearing tone when a user transfer call("ttou", "ttou")
Announcement	Connect	Call will be connected
	Retry	Sorry, retry to call connect
	No Number	Sorry, Phone Number is not available
	Over Count	Retry count number is over.
	Busy	Sorry, this phone line is busy
	No Answer	Sorry. User doesn't answer
	System Normal Fail	Sorry, call connection is not available at this time
	Network Busy	Sorry, Network is busy, please retry after moment.
	System overload	Sorry, this call is restricted by license, please rety after moment
Default RBT/MoH	Ring back tone	Default RBT
	Music On Hold	Default MoH
	Call Waiting tone	Call Waiting tone

Media Service App. for All IP Environment





Thank you!

AddPac Technology Co., Ltd.
Sales and Marketing

Phone +82.2.568.3848 (KOREA)

FAX +82.2.568.3847 (KOREA)

E-mail sales@addpac.com