



IPNext320™

NGN Hybrid IP-PBX System

High-performance Next Generation Hybrid IP-PBX System

AC Power Supply



AddPac

AddPac Technology

2012, Sales and Marketing

www.addpac.com

Contents

- Product Overview
- Power Module Diagram
- AC Power Support



Product Overview

IPNext320 Hybrid IP-PBX System

- IP based Advanced Hybrid IP-PBX Solution
- IPv4/IPv6 Multimedia Telephony Solution for Medium Office
- PSTN Interface (FXO, FXS, etc) Support
- Powerful Management and User Friendly Features
- Fault Tolerant and Scalability Architecture
- High-performance Video, Audio, and Voice Service
- Firmware Upgradeable Architecture
- IVR Service with Scenario Editor
- Voice Mailing Service
- Presence Service for High-End IP Phone, UC
- RTP Proxy Service for Private IP service
- SIP, H.323 Signaling for Outbound Calls
- Various Call Scenario (Call Pickup, Call Park, Call Transfer, etc)
- Various IP Terminal Support

Power Module Diagram

IPNext320 Hybrid IP-PBX System

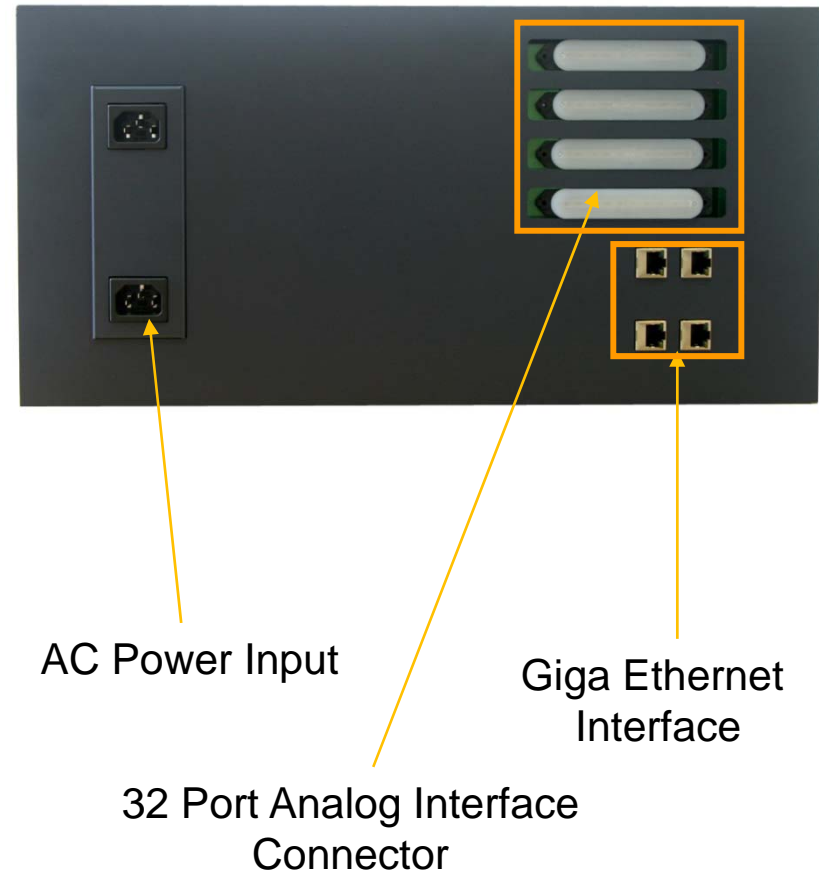
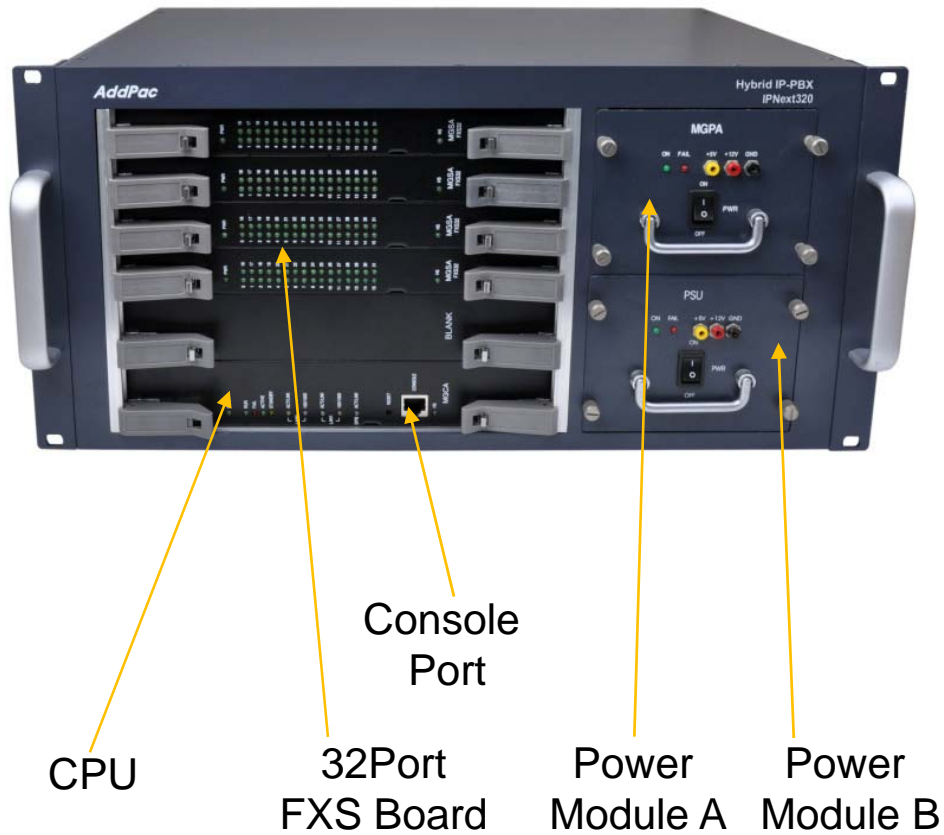


Power Status LED

Power ON/OFF Switch

AC Power Support

IPNext320 Hybrid IP-PBX System





Thank you!

AddPac Technology Co., Ltd.
Sales and Marketing

Phone +82.2.568.3848 (KOREA)

FAX +82.2.568.3847 (KOREA)

E-mail sales@addpac.com