



IPNext320™ (128 Port) Hybrid IP-PBX System

High-performance Hybrid IP-PBX Solution

32-Port FXS New Module(MGSA-N2)
Features



AddPac

AddPac Technology

2012, Sales and Marketing

www.addpac.com

Contents

- Product Overview
- Hardware Specification
- System Block Diagram
- MGSA-FXS32 32-Port FXS Module
- MGSA-FXS32-N1 32-Port FXS Module
- **MGSA-FXS32-N2 32-Port FXS Module**



Product Overview

IPNext320 Hybrid IP-PBX System

- IP based Advanced Hybrid IP-PBX Solution
- IPv4/IPv6 Multimedia Telephony Solution for Medium Office
- PSTN Interface (FXO, FXS, etc) Support
- Up to 128 Port Analog Channel Support
- Powerful Management and User Friendly Features
- Fault Tolerant and Scalability Architecture
- High-performance Video, Audio, and Voice Service
- Firmware Upgradeable Architecture
- IVR Service with Scenario Editor
- Voice Mailing Service
- Presence Service for High-End IP Phone, UC
- RTP Proxy Service for Private IP service
- SIP, H.323 Signaling for Outbound Calls
- Various Call Scenario (Call Pickup, Call Park, Call Transfer, etc)
- Various IP Terminal Support

Hardware Specification

IPNext320 Hybrid IP-PBX System

RISC
CPU

High-end
DSP

- RISC Microprocessor Computing Power
- Main Chassis
 - Network Interface
 - Two(2) 10/100/1000Mbps Gigabit Ethernet
 - One(1) RS-232C Console (RJ45)
 - Four(4) VoIP Module Slots for FXS, FXO, etc
 - Hot-Swap VoIP Module
 - Module Type Dual Power Supply for Redundancy

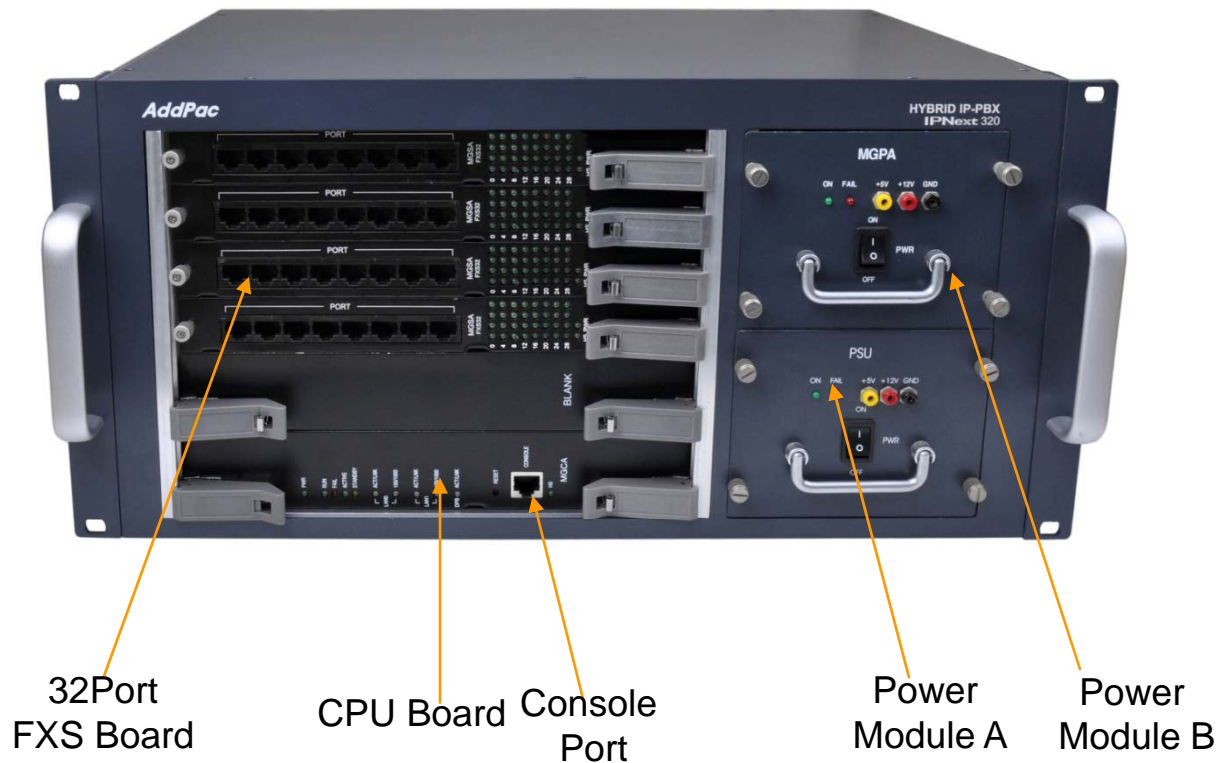
Hardware Specification

IPNext320 Hybrid IP-PBX System

RISC
CPU

DSP

Front Side



Hardware Specification

IPNext320 Hybrid IP-PBX System

RISC
CPU

DSP

Back Side



AC Power
Input

32-Port Analog Interface
Champ Connector
(MGSA-FXS32, MGSA-FXS32-N1, MGSA-FXO32)

Gigabit Ethernet
Interface


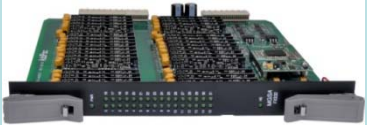



32-Port FXS Modules(MGSA)

MGSA : Media Gateway Subscriber Assembly

MGSA Module Comparison

IPNext320 Hybrid IP-PBX System

Product	MGSA-FXS32	MGSA-FXS32-N1	MGSA-FXS32-N2
			
Distance	Long Reachable Distance for Next Generation Network Service	Short & medium Reachable Distance	Short & medium Reachable Distance
Analog Ports	32 Port FXS Module	32 Port FXS Module	32 Port FXS Module
Connector	Champ Connector	Champ Connector	8 x RJ45 Connector
Caller ID	Support	Support	Support
Hot-Swap	Support	Support	Support
DSP based Voice Codec	G.711,G.729,G.723, etc	G.711,G.729,G.723, etc	G.711,G.729,G.723, etc
Ringing Voltage	Programmable : Typical 80Vrms	65Vrms	65Vrms
REN	5	3	3



MGSA-FXS32 Module

MGSA-FXS32 Module Diagram

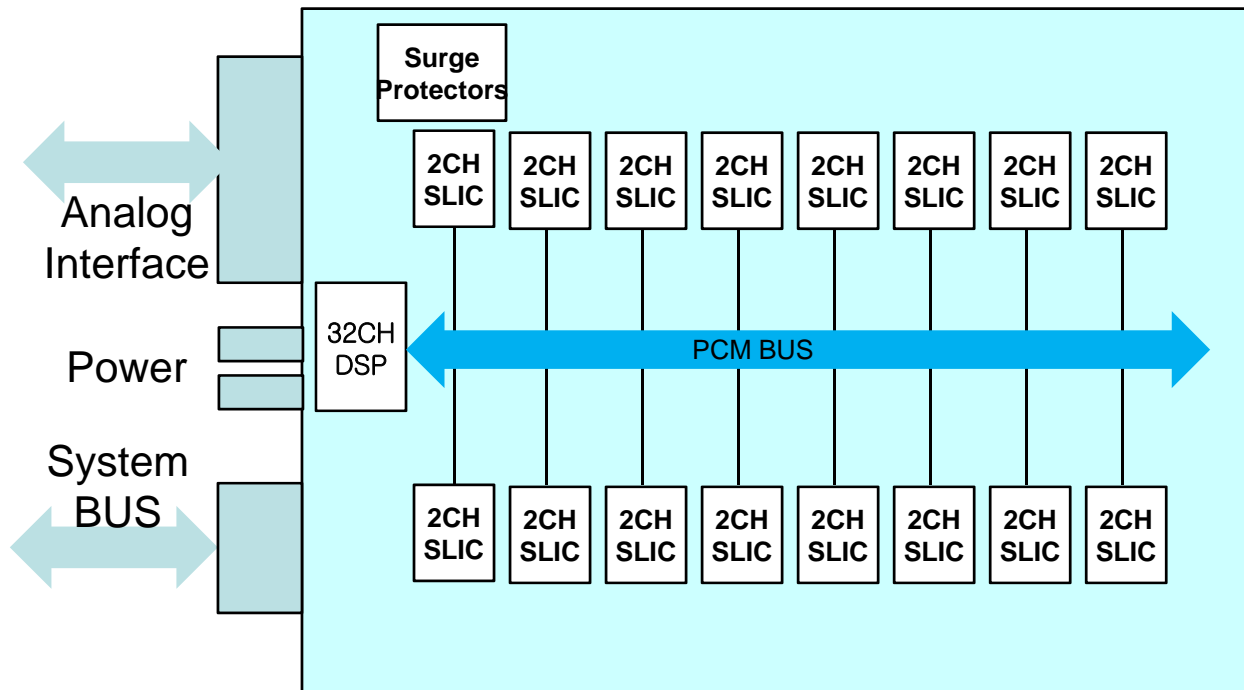
IPNext320 Hybrid IP-PBX System



MGSA-FXS32 Module Block Diagram

IPNext320 Hybrid IP-PBX System


MGSA : Media Gateway Subscriber Assembly



MGSA-FXS32 Module Service Features

IPNext320 Hybrid IP-PBX System

- Long Reachable Distance for NGN Service
- SLIC Ringing
 - 5REN with pin for pin compatible 150V SLIC Device
 - Up to 140-Vpk Internal balanced sinusoidal or trapezoidal ringing with Programmable offset : Typical 80Vrms
 - Unbalanced ringing for PBX trunk compatibility
- SLIC Programmability
 - Ringing Frequency, Voltage and Current Limit
 - Two-wire AC impedance, Balance Impedance, Gain
 - DC feed Voltage and Current Limit
 - Unbalanced ringing for PBX trunk compatibility
- Powerful Surge Protection (more than 1.5Kv)
- Universal Caller ID
- DSP based G.711, G.729, G.723.1, etc High Quality Voice Codec
- Voice QoS (Delay, Jitter, etc) Support for end-to-end Voice Quality



MGSA-FXS32-N1 Module

MGSA-FXS32-N1 Module Diagram

IPNext320 Hybrid IP-PBX System

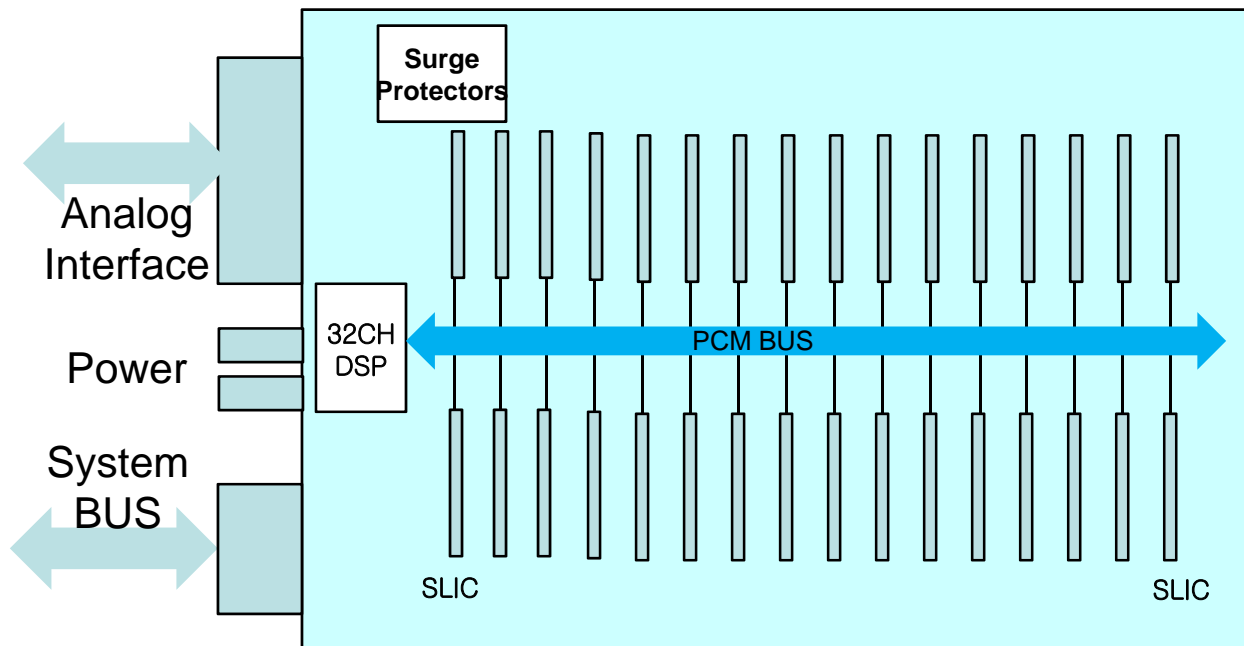
MGSA : Media Gateway Subscriber Assembly



MGSA-FXS32-N1 Module Block Diagram

IPNext320 Hybrid IP-PBX System

MGSA : Media Gateway Subscriber Assembly



MGSA-FXS32-N1 Module Service Features

IPNext320 Hybrid IP-PBX System

- Loop Length : Typically 3.0Km (800 ohm including telephone)
- Tip/Ring Polarity Reversal. On-Hook Transmission for Caller ID
- Ringing
 - 65Vrms is applied to a single handset
 - Greater than 40Vrms into a REN of 3
- Powerful Surge Protection (more than 1.5Kv)
- DSP based G.711, G.729, G.723.1, etc High Quality Voice Codec
- Voice QoS (Delay, Jitter, etc) Support for end-to-end Voice Quality



MGSA-FXS32-N2 Module

MGSA-FXS32-N2 Module Diagram

IPNext320 Hybrid IP-PBX System

MGSA : Media Gateway Subscriber Assembly



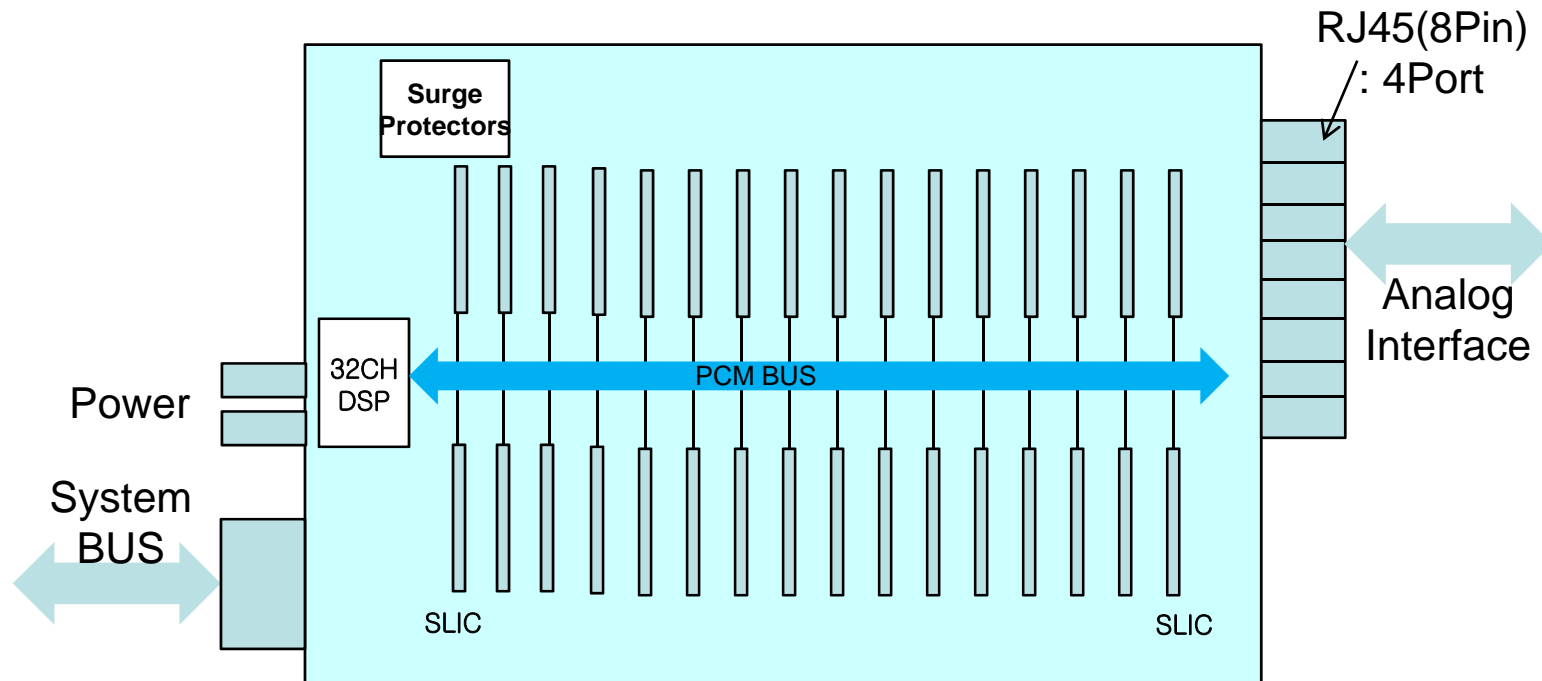
RJ45(8Pin) 1-Port :4ch

32ch = 4ch x 8Port

MGSA-FXS32-N2 Module Block Diagram

IPNext320 Hybrid IP-PBX System

MGSA : Media Gateway Subscriber Assembly



MGSA-FXS32-N2 Module Service Features

IPNext320 Hybrid IP-PBX System

- Loop Length : Typically 3.0Km (800 ohm including telephone)
- Tip/Ring Polarity Reversal. On-Hook Transmission for Caller ID
- Ringing
 - 65Vrms is applied to a single handset
 - Greater than 40Vrms into a REN of 3
- Powerful Surge Protection (more than 1.5Kv)
- DSP based G.711, G.729, G.723.1, etc High Quality Voice Codec
- Voice QoS (Delay, Jitter, etc) Support for end-to-end Voice Quality



Thank you!

AddPac Technology Co., Ltd.
Sales and Marketing

Phone +82.2.568.3848 (KOREA)

FAX +82.2.568.3847 (KOREA)

E-mail sales@addpac.com