

Multi-Port GSM Gateway Series

Web based QoS Control



AddPac

AddPac Technology

2010, Sales and Marketing

www.addpac.com

Contents

- Smart Web for QoS Control
- Packet Transmit Diagram (before, after QoS mode)



QoS Control

Smart Web Manager
www.addpac.com

System -
• Language
• **WAN Setup**
• LAN Setup
• NAT
• NTP
• System Time
• File Browser

Basic +
Advanced +
Miscellaneous +
LCR +
SMS +

WAN & Tunneling Setup

WAN Setup

Hostname Router

Static IP

IP Address: 172.16.9.120 A.B.C.D
Network Mask: 255.255.0.0 A.B.C.D
Default Router: 172.16.1.1 A.B.C.D
DNS Server: Primary DNS Server
Secondary DNS Server

PPPoE(ADSL)

User name:
Password:
Authentication:
 (No Authentication)
 PAP (PPP Authentication Protocol)
 CHAP (Challenge Handshake Authentication Protocol)

DHCP

VLAN ID: 0
Auto

QoS Control

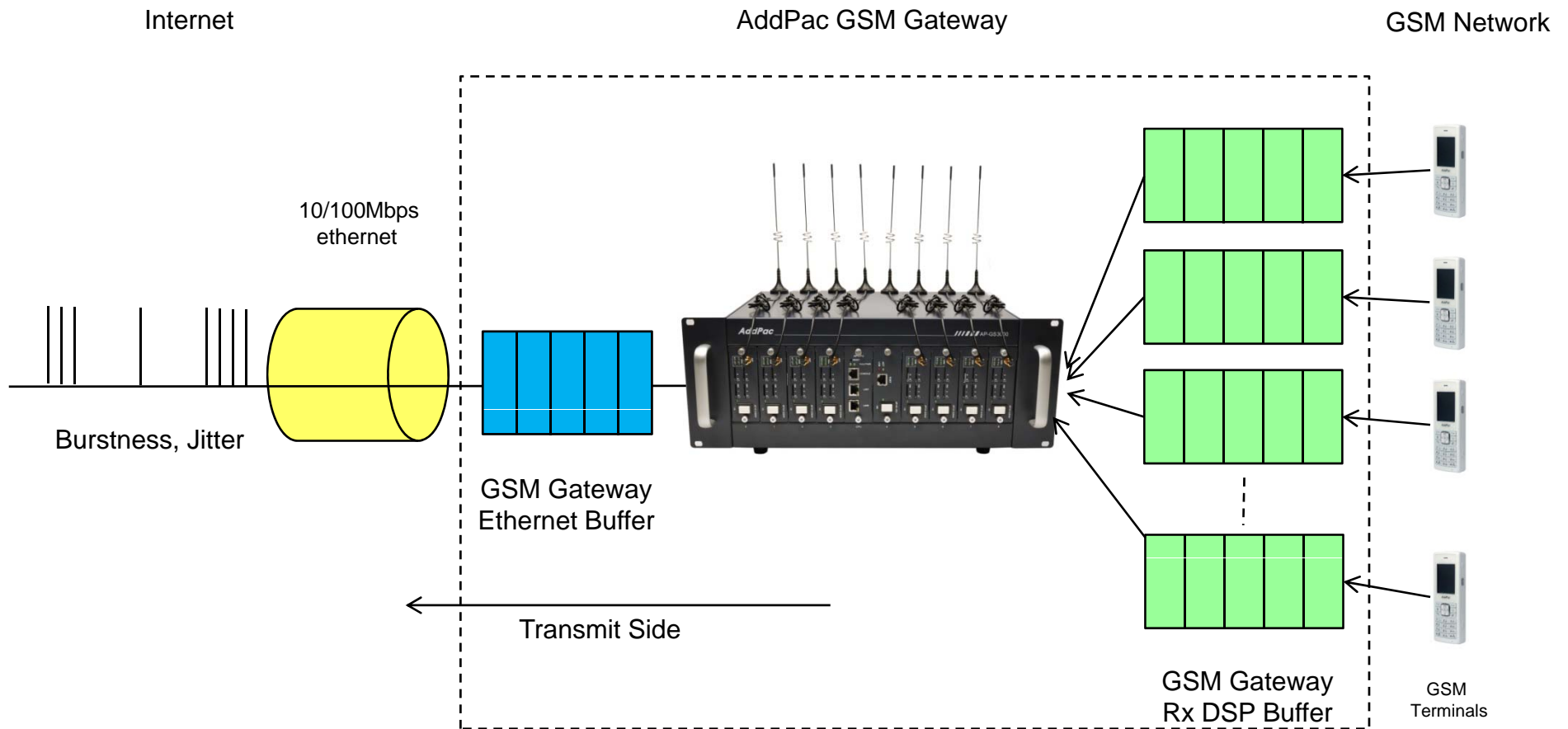
Enable QoS (optional)

Bandwidth: Kbps (default auto, 48-4096)
PPS: pps (default auto, 50-2000)

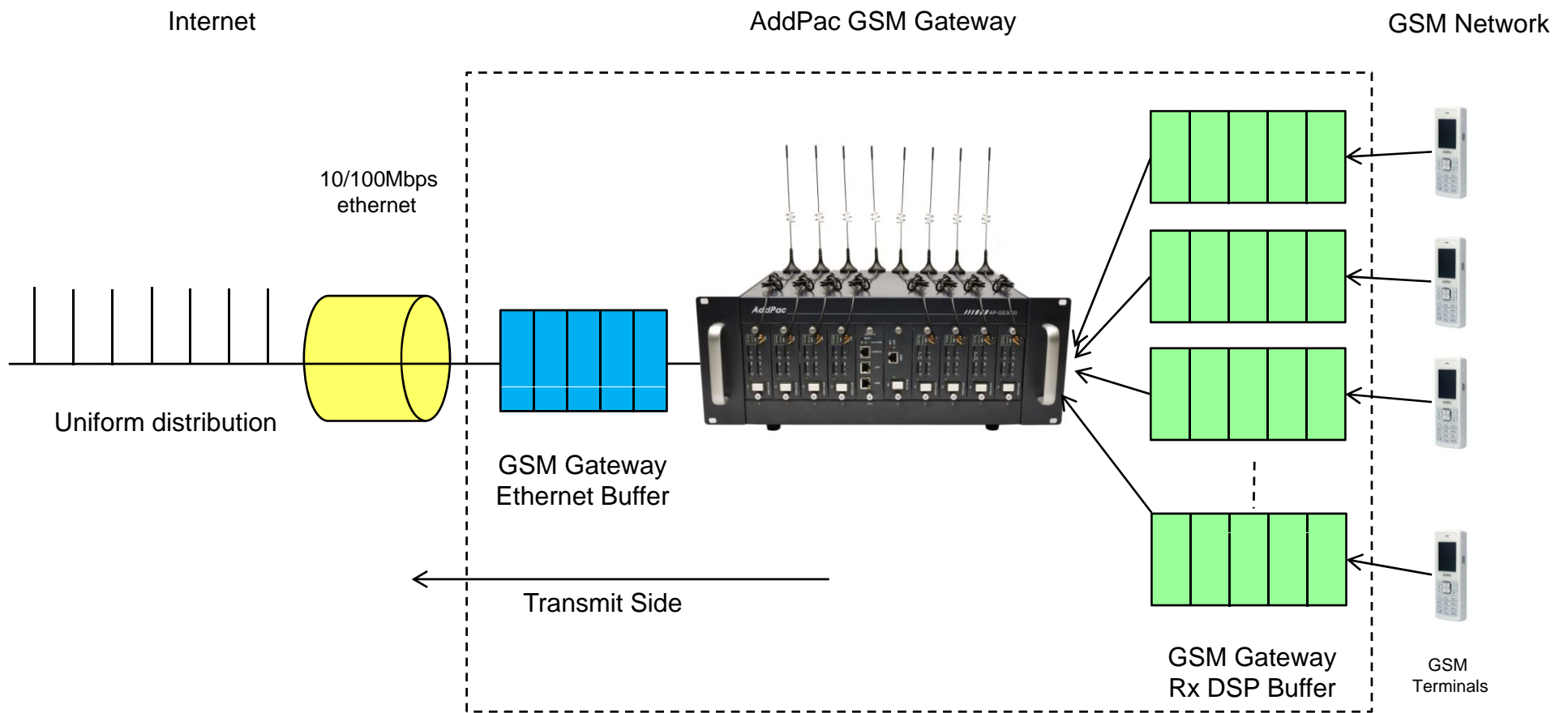
Apply

QoS Control
- 'Supported by Bandwidth and PPS(Packets Per Second) conditions.

Packet Transmit (Before QoS enable mode)



Packet Transmit (After QoS enable mode)



GSM Gateway Series

Thank you!

AddPac Technology Co., Ltd.
Sales and Marketing

Phone +82.2.568.3848 (KOREA)

FAX +82.2.568.3847 (KOREA)

E-mail sales@addpac.com