

# Multi-Port GSM Gateway Series

Web based QoS Control



**AddPac**

**AddPac Technology**

2010, Sales and Marketing

[www.addpac.com](http://www.addpac.com)

# Contents

- Smart Web for QoS Control
- Packet Transmit Diagram (before, after QoS mode)



# QoS Control

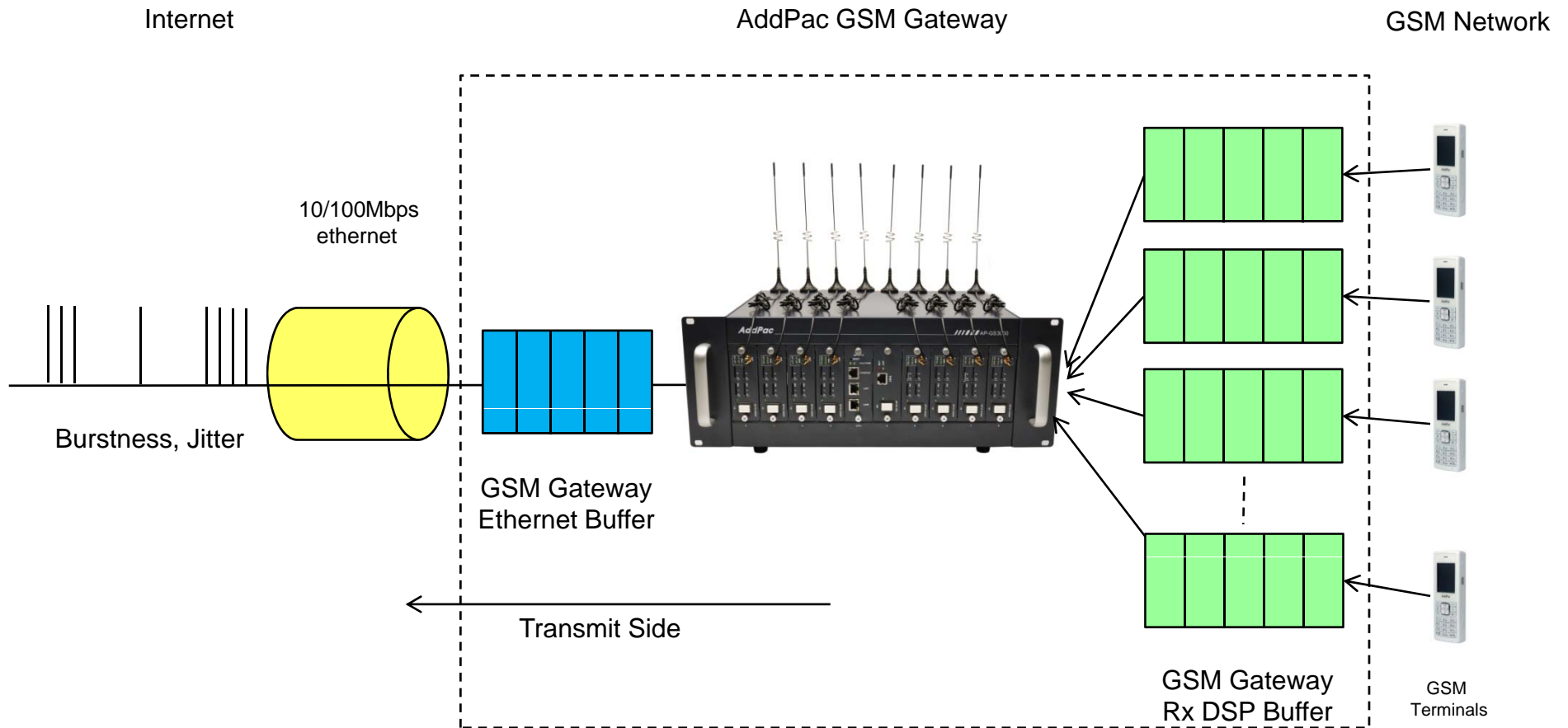
The screenshot displays the 'WAN & Tunneling Setup' configuration page in the Smart Web Manager. The left sidebar shows a navigation menu with 'WAN Setup' highlighted. The main content area includes sections for 'WAN Setup', 'Static IP', 'PPPoE(ADSL)', 'DHCP', and 'VLAN'. The 'QoS Control' section is highlighted with a red dashed border and contains the following fields:

- Enable QoS (optional)
- Bandwidth :  Kbps (default auto, 48-4096)
- PPS :  pps (default auto, 50-2000)

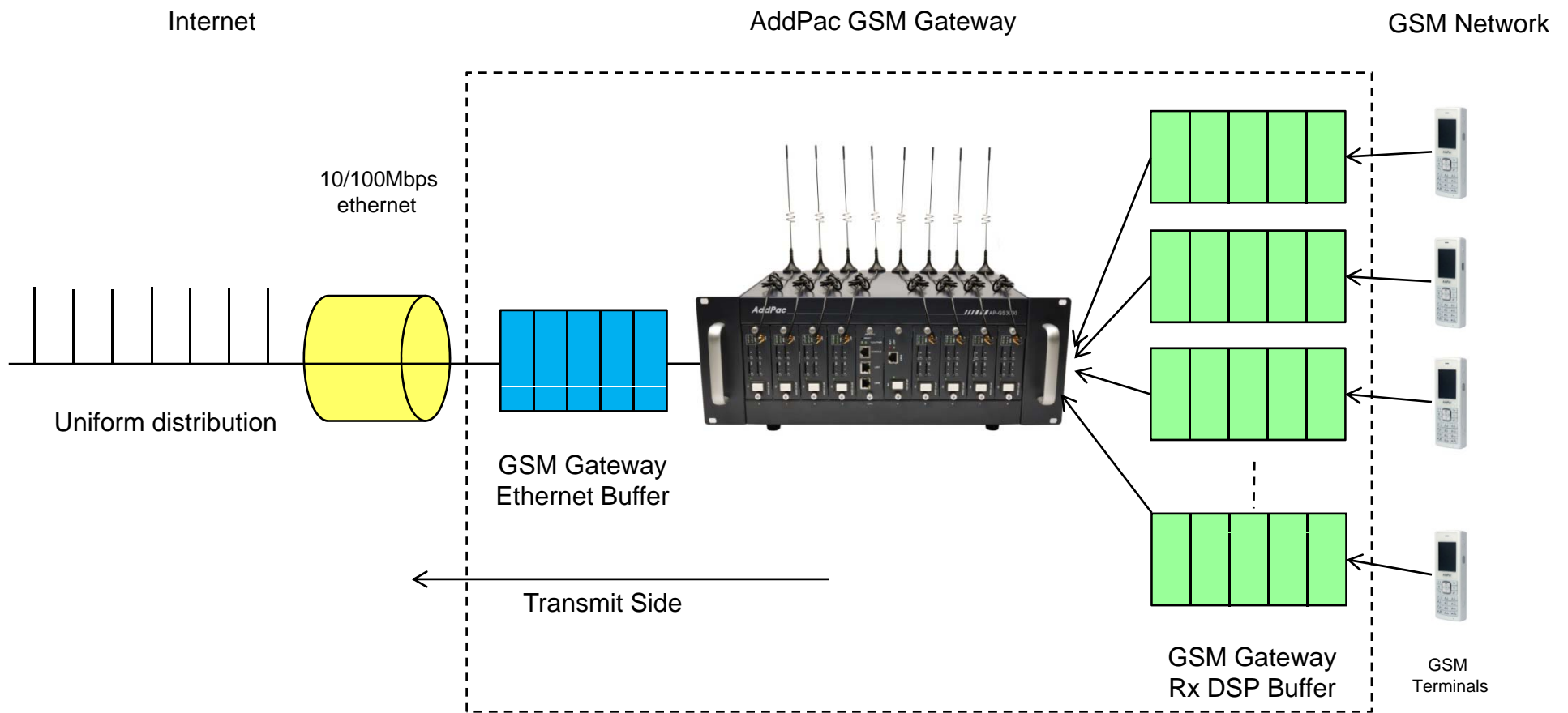
A yellow callout box points to the 'QoS Control' section with the text: 'Supported by Bandwidth and PPS(Packets Per Second) conditions.'

At the bottom of the page, there is an 'Apply' button with a green checkmark icon.

# Packet Transmit (Before QoS enable mode)



# Packet Transmit (After QoS enable mode)



# GSM Gateway Series

# Thank you!

**AddPac Technology Co., Ltd.**  
Sales and Marketing

Phone +82.2.568.3848 (KOREA)

FAX +82.2.568.3847 (KOREA)

E-mail [sales@addpac.com](mailto:sales@addpac.com)