



AP-3G1001™

1-Port 3G Gateway

High Performance 3G Gateway Solution

VoIP over 3G data network service



AddPac

AddPac Technology

2012, Sales and Marketing

www.addpac.com

Contents

- AP-3G1001 H/W Specification
- AP-3G1001 Model B (FXS)
 - Analog to 3G Cellular Service Network Diagram
 - VoIP to 3G Cellular Service Network Diagram
 - PC to 3G Data Service Network Diagram
 - Vo3G(Voice over 3G Data Network) Service Network Diagram
 - All IP Telephony over 3G Data Network Diagram

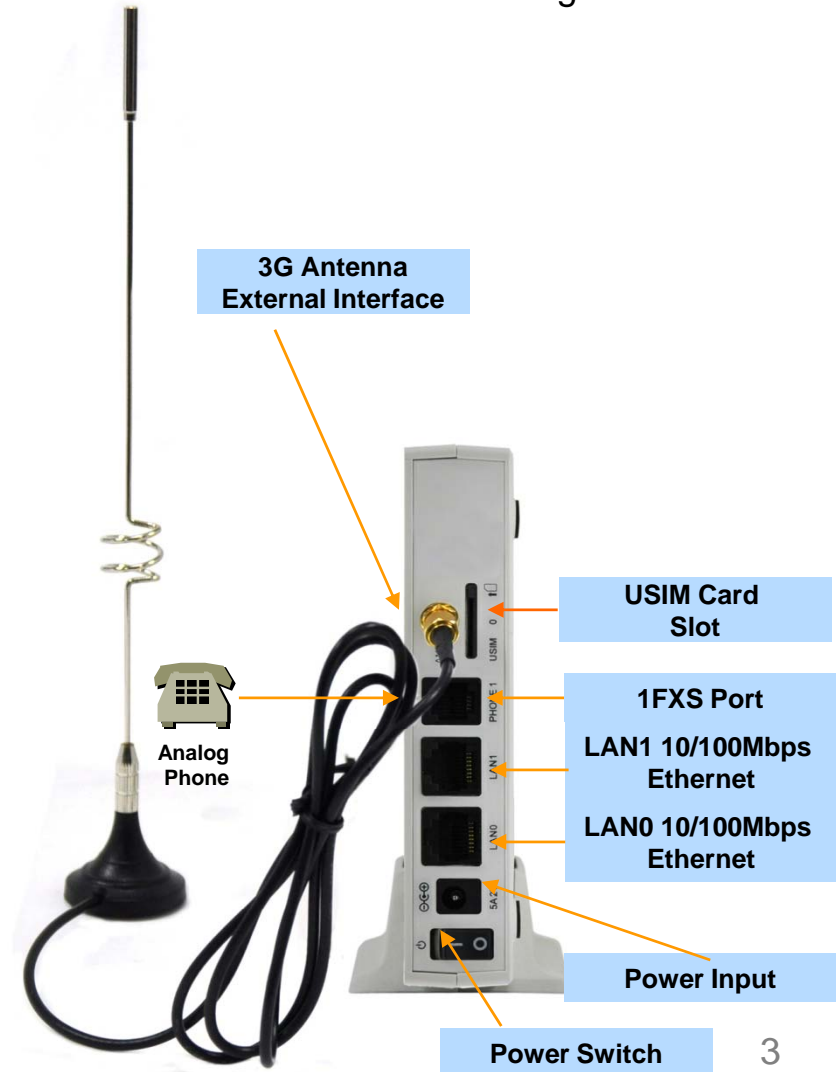
Hardware Specification


AP-3G1001 1-Port 3G Gateway

Hardware Specifications

AP-3G1001 GSM Gateway	Basic Specifications
Voice Interface	No Analog Voice Port : Model A
	One(1)-Port FXS Analog Interface : Model B
	One(1)-Port FXO Analog Interface : Model C
3G Antenna Interface	External 3G Antenna
USIM Card Slot	3G USIM Card Slot
Ethernet Interface	2-Ports 10/100Mbps Ethernet Interface(RJ-45)
Flash Memory	4Mbyte High-speed Flash Memory
Base Memory	32 Mbyte High-speed SDRAM
Power Requirement	Power Supply Adaptor / VAC 110~220V, 50/60Hz, 5V, 2A
Operating Temperature	0°C ~ 45°C (32 °F ~ 122°F)
Storage Temperature	-40°C ~ 85°C (-40°C ~ 185°F)
Relative Humidity	5% ~ 95% (Non-condensing)
Dimension	142mm x 142mm x 28mm (W x D x H)
Weight (Kg)	0.42Kg

Network interface Configurations





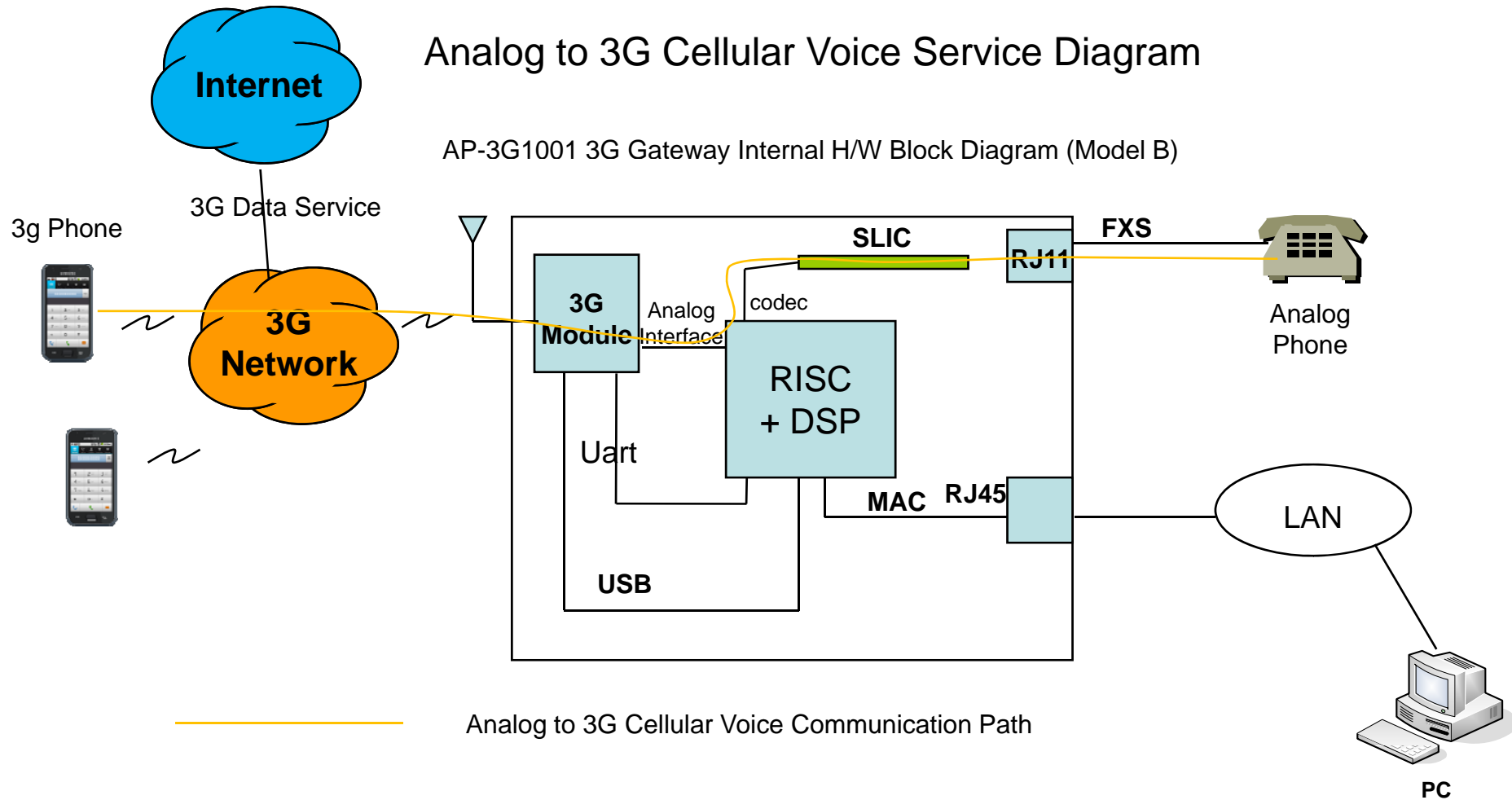
AP-3G1001 Model B (FXS Analog Port)

Analog to 3G Cellular Service

AP-3G1001 1-Port 3G Gateway

Analog to 3G Cellular Voice Service Diagram

AP-3G1001 3G Gateway Internal H/W Block Diagram (Model B)

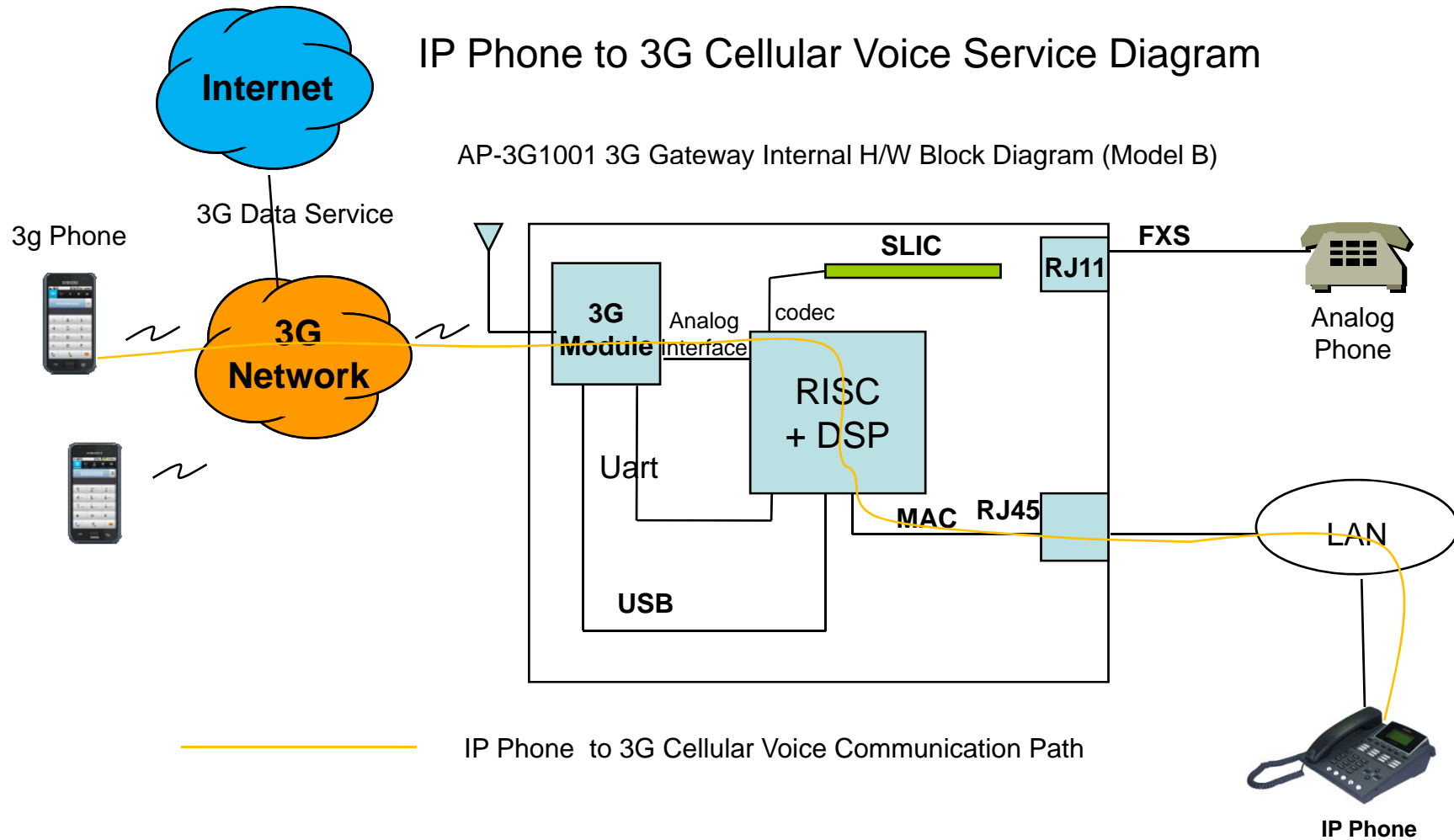


IP to 3G Cellular Service

AP-3G1001 1-Port 3G Gateway

IP Phone to 3G Cellular Voice Service Diagram

AP-3G1001 3G Gateway Internal H/W Block Diagram (Model B)

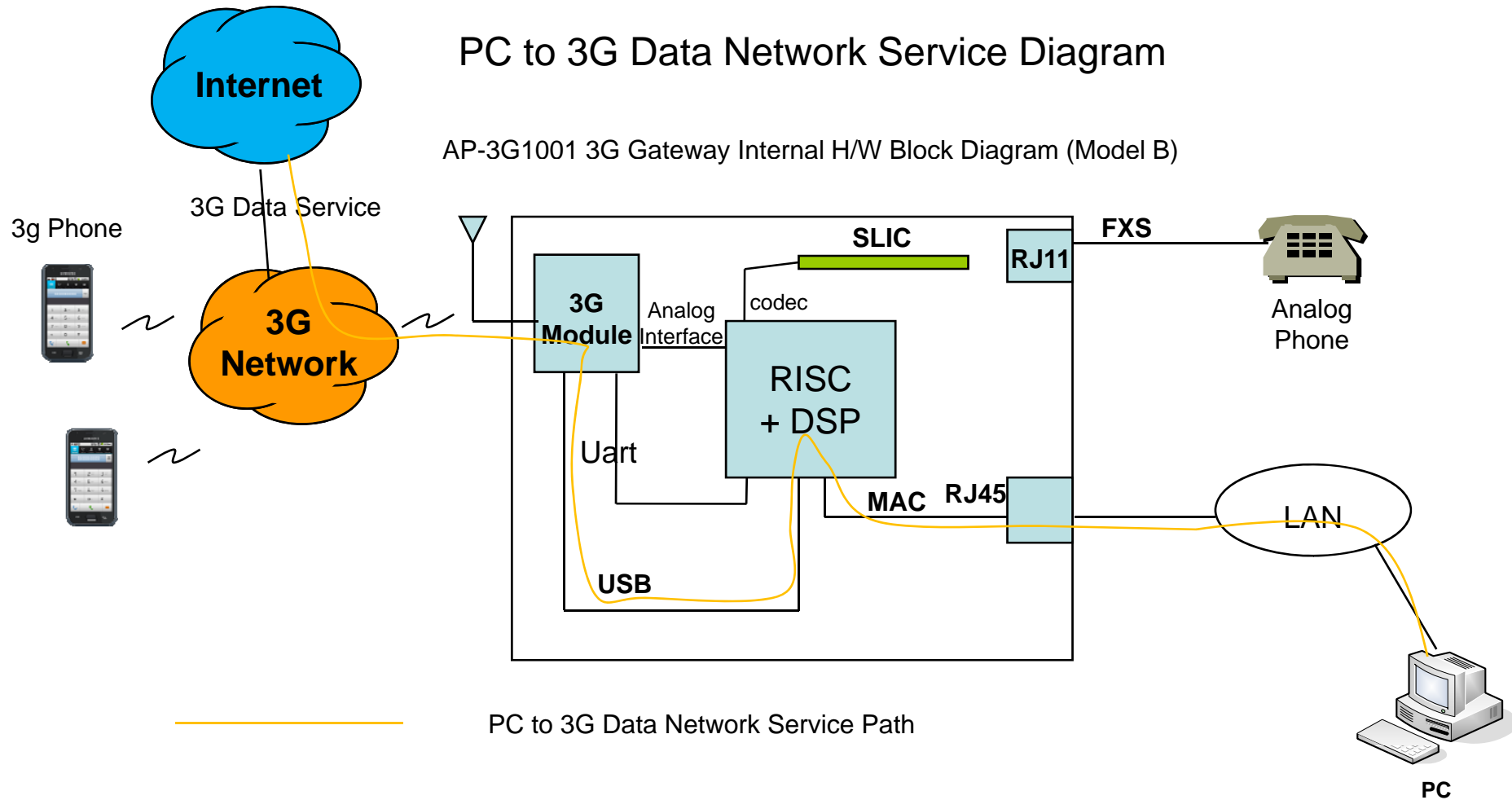


PC to 3G Data Network Service

AP-3G1001 1-Port 3G Gateway

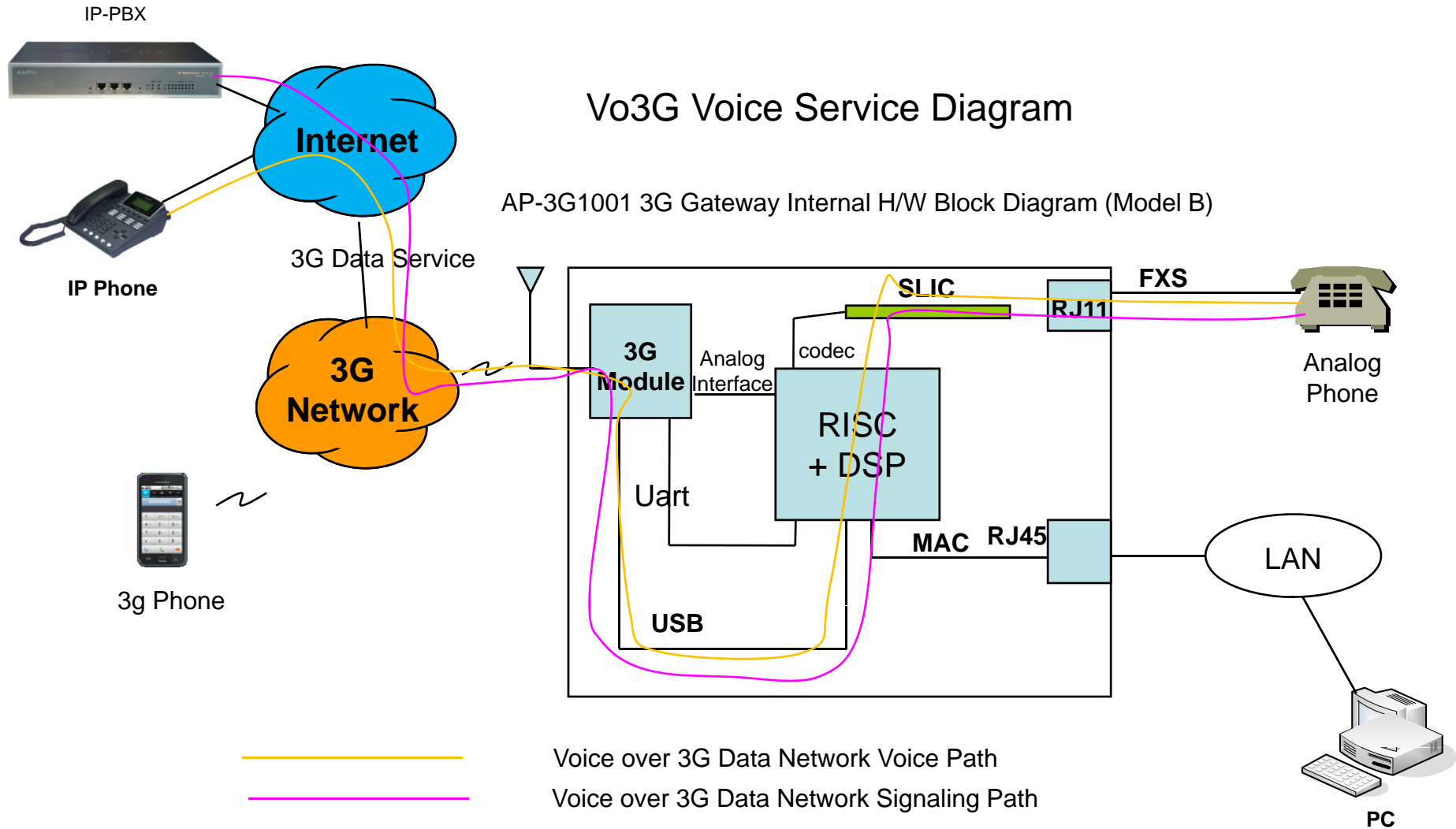
PC to 3G Data Network Service Diagram

AP-3G1001 3G Gateway Internal H/W Block Diagram (Model B)



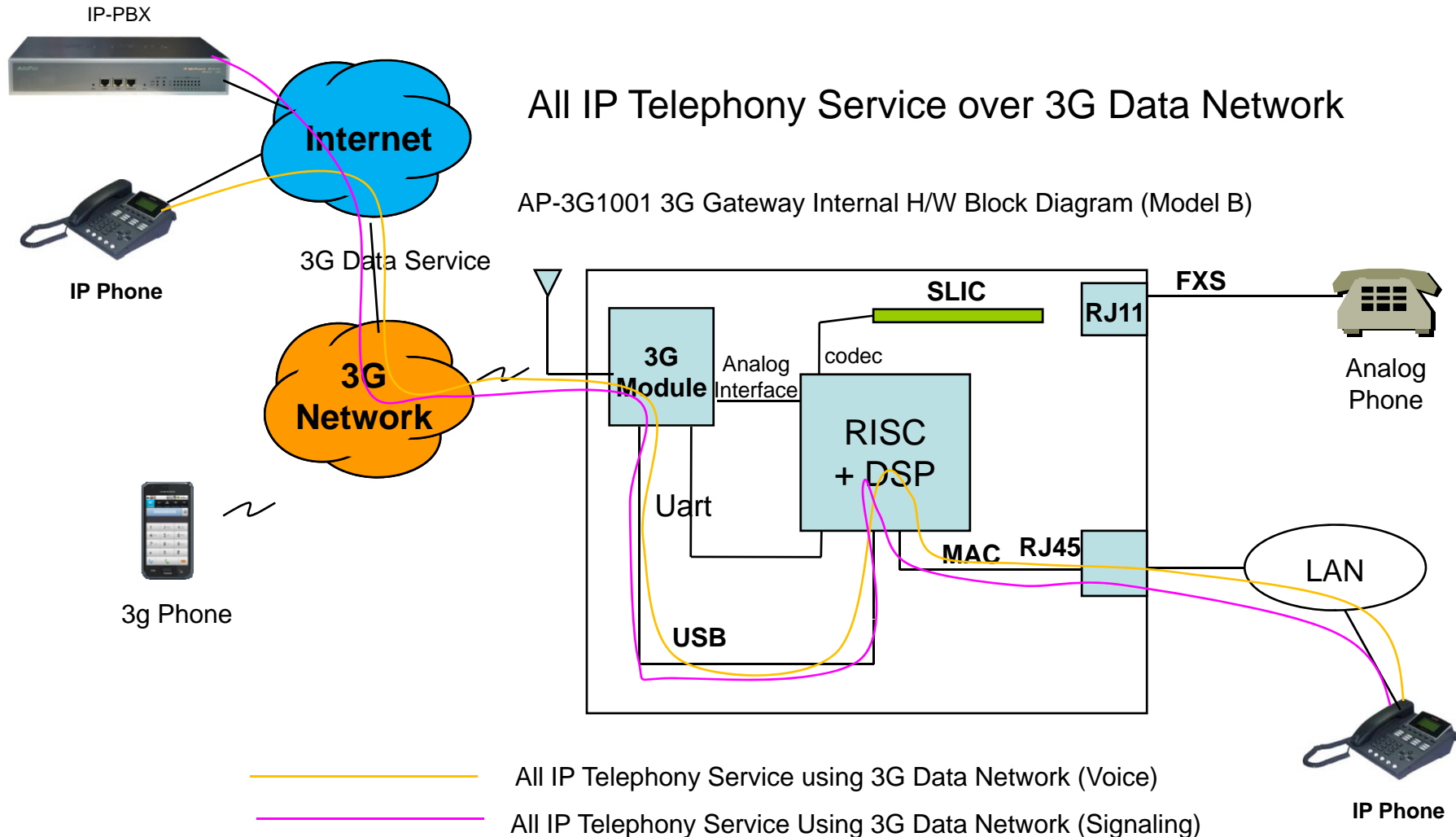
Vo3G(Voice over 3G Data Network) Service

AP-3G1001 1-Port 3G Gateway



All IP Telephony over 3G Data Network

AP-3G1001 1-Port 3G Gateway



3G Gateway Series

Thank you!

AddPac Technology Co., Ltd.
Sales and Marketing

Phone +82.2.568.3848 (KOREA)

FAX +82.2.568.3847 (KOREA)

E-mail sales@addpac.com