

# Multi-Port GSM Gateway Series

Web based QoS Control



**AddPac**

**AddPac Technology**

2010, Sales and Marketing

[www.addpac.com](http://www.addpac.com)

# Contents

- Smart Web for QoS Control
- Packet Transmit Diagram (before, after QoS mode)



# QoS Control

The screenshot shows the 'Smart Web Manager' interface with the 'WAN & Tunneling Setup' page. The left sidebar contains a 'System' menu with 'WAN Setup' highlighted. The main content area is divided into sections for 'WAN Setup', 'Static IP', 'PPPoE(ADSL)', 'DHCP', 'VLAN', and 'QoS Control'. The 'QoS Control' section is highlighted with a red dashed box and contains the following fields: 'Enable QoS (optional)' (checkbox), 'Bandwidth' (input field), 'PPS' (input field), and their respective units and default ranges. A yellow callout box points to the 'QoS Control' section with the text: 'QoS Control - Supported by Bandwidth and PPS(Packet Per Second) conditions.' An 'Apply' button is located at the bottom left of the page.

**Smart Web Manager**  
www.addpac.com

**System**

- Language
- WAN Setup**
- LAN Setup
- NAT
- NTP
- System Time
- File Browser

**Basic**

**Advanced**

**Miscellaneous**

**LCR**

**SMS**

**WAN & Tunneling Setup**

**WAN Setup**

Hostname: Router

IP Address: 172.16.9.120 A.B.C.D  
Network Mask: 255.255.0.0 A.B.C.D  
Default Router: 172.16.1.1 A.B.C.D

**Static IP**

DNS Server: Primary DNS Server  
Secondary DNS Server

User name:   
Password:

**PPPoE(ADSL)**

Authentication: (No Authentication)  
PAP (PPP Authentication Protocol)  
CHAP (Challenge Handshake Authentication Protocol)

**DHCP**

**VLAN** ID: 0  
Auto

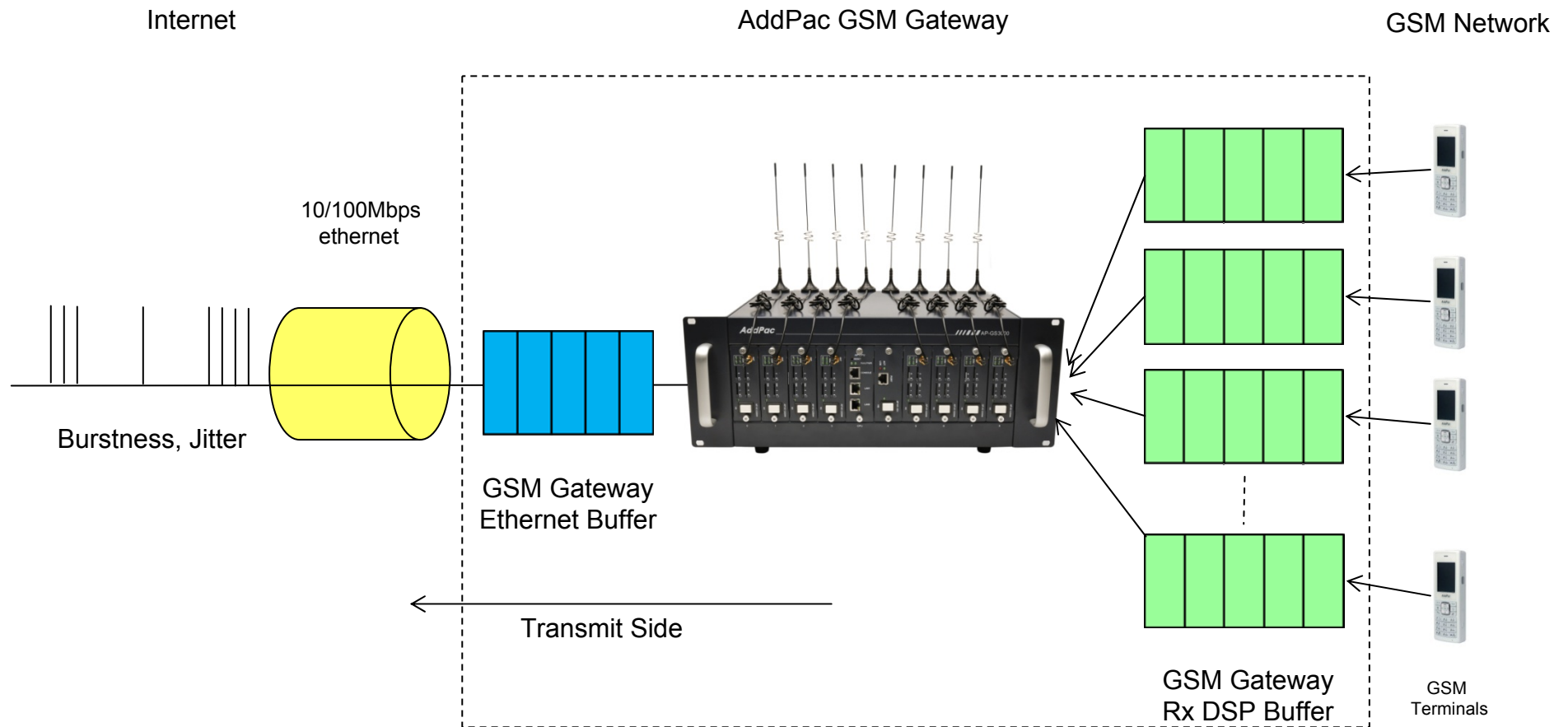
**QoS Control**

Enable QoS (optional)

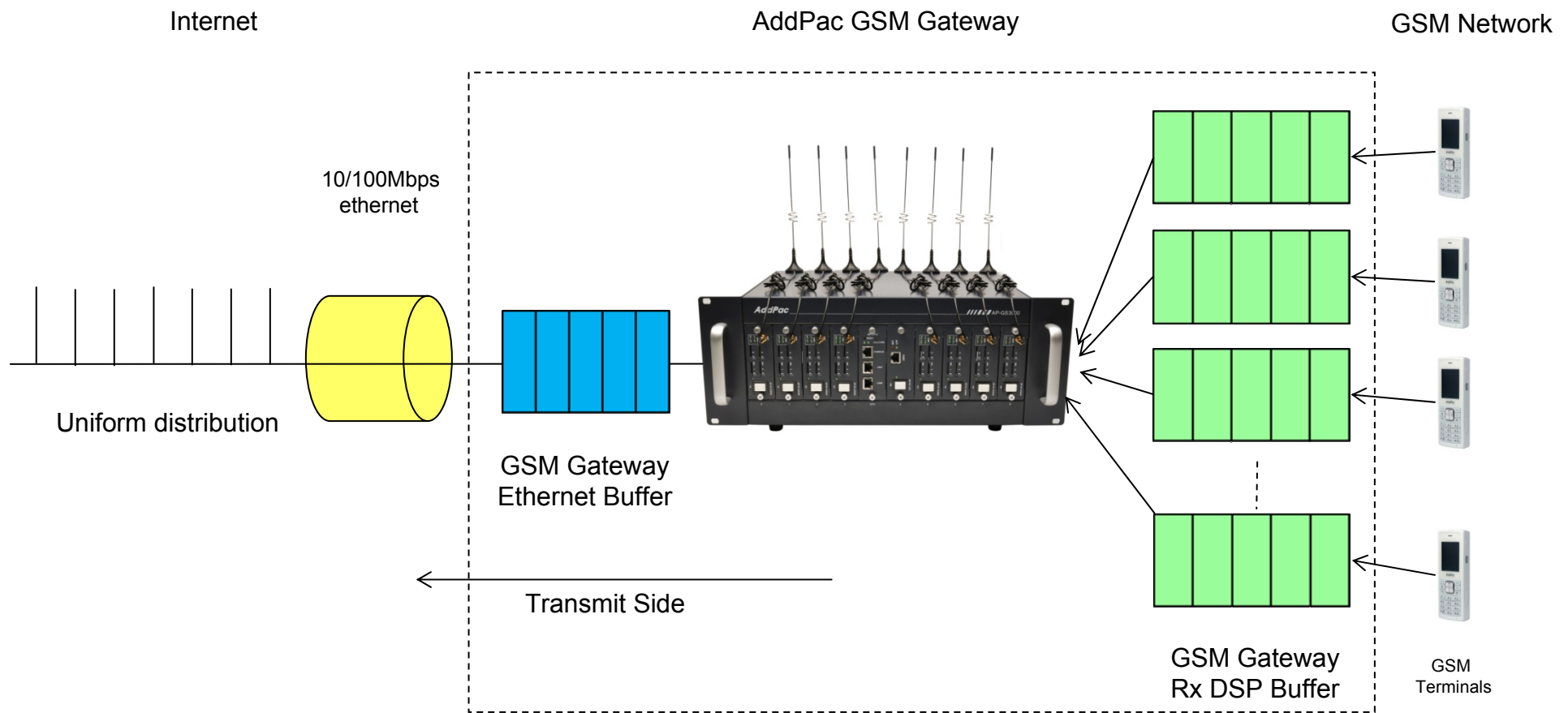
Bandwidth : Kbps (default auto, 48-4096)  
PPS : pps (default auto, 50-2000)

Apply

# Packet Transmit (Before QoS enable mode)



# Packet Transmit (After QoS enable mode)



# GSM Gateway Series

# Thank you!

**AddPac Technology Co., Ltd.**  
Sales and Marketing

Phone +82.2.568.3848 (KOREA)

FAX +82.2.568.3847 (KOREA)

E-mail [sales@addpac.com](mailto:sales@addpac.com)