



# AP5500™ (128 Port) Large Scale VoIP Gateway

High Performance VoIP Gateway Solution

32-Port FXS New Module(MGSA-N2)  
Features



**AddPac**

**AddPac Technology**

2012, Sales and Marketing

# Contents

- Product Overview
- Hardware Specification
- System Block Diagram
- MGSA-FXS32 32-Port FXS Module
- MGSA-FXS32-N1 32-Port FXS Module
- **MGSA-FXS32-N2 32-Port FXS Module**



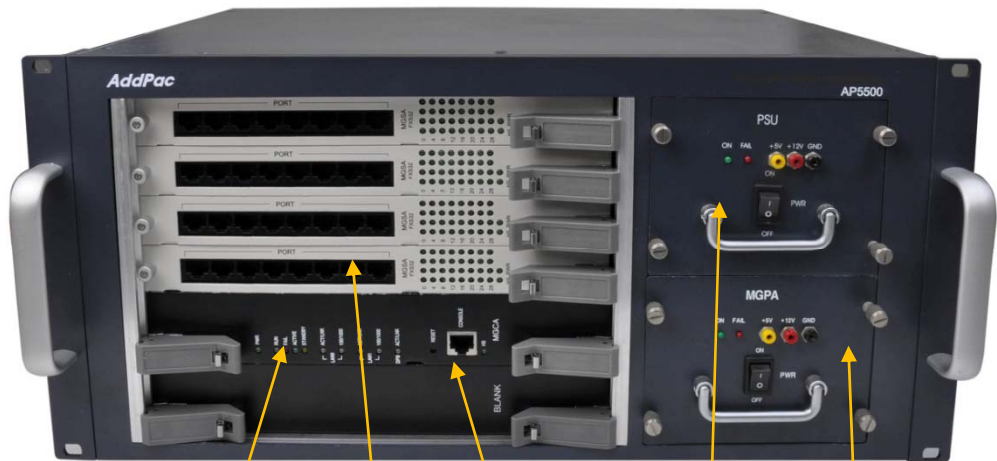
# Product Overview

## AP5500 Large Scale VoIP Gateway

- SIP VoIP Stack (Redundancy Mode : Dual CPU Mode)
- H.323/SIP/MGCP Concurrent VoIP Stack (Single CPU Mode)
- High Performance RISC Microprocessor for System Control
- Dual Power Redundancy (AC, DC ) selectable at ordering
- Optional Dual CPU Board Support for Active/Standby System Redundancy
- Hot-Swap Function Support
- Up to 128 Analog Interface Port (32Port Board x 4 ea) Support
- Two(2) 10/100/1000Mbps Giga-bit Ethernet Interface
- G.711/G.726/G.723/G.729, T.38 Fax , VAD, etc
- Powerful Network Protocols (PPPoE, DHCP, Static Routing, etc)
- Firmware Upgradeable Architecture
- VPMS (VoIP Plug&Play Management System) for Large Scale Deployment
- Advanced Voice QoS Mechanism

# Hardware Specification

## AP5500 Large Scale VoIP Gateway



CPU

32Port  
FXS Board

Console  
Port

Power  
Module A    Power  
Module B



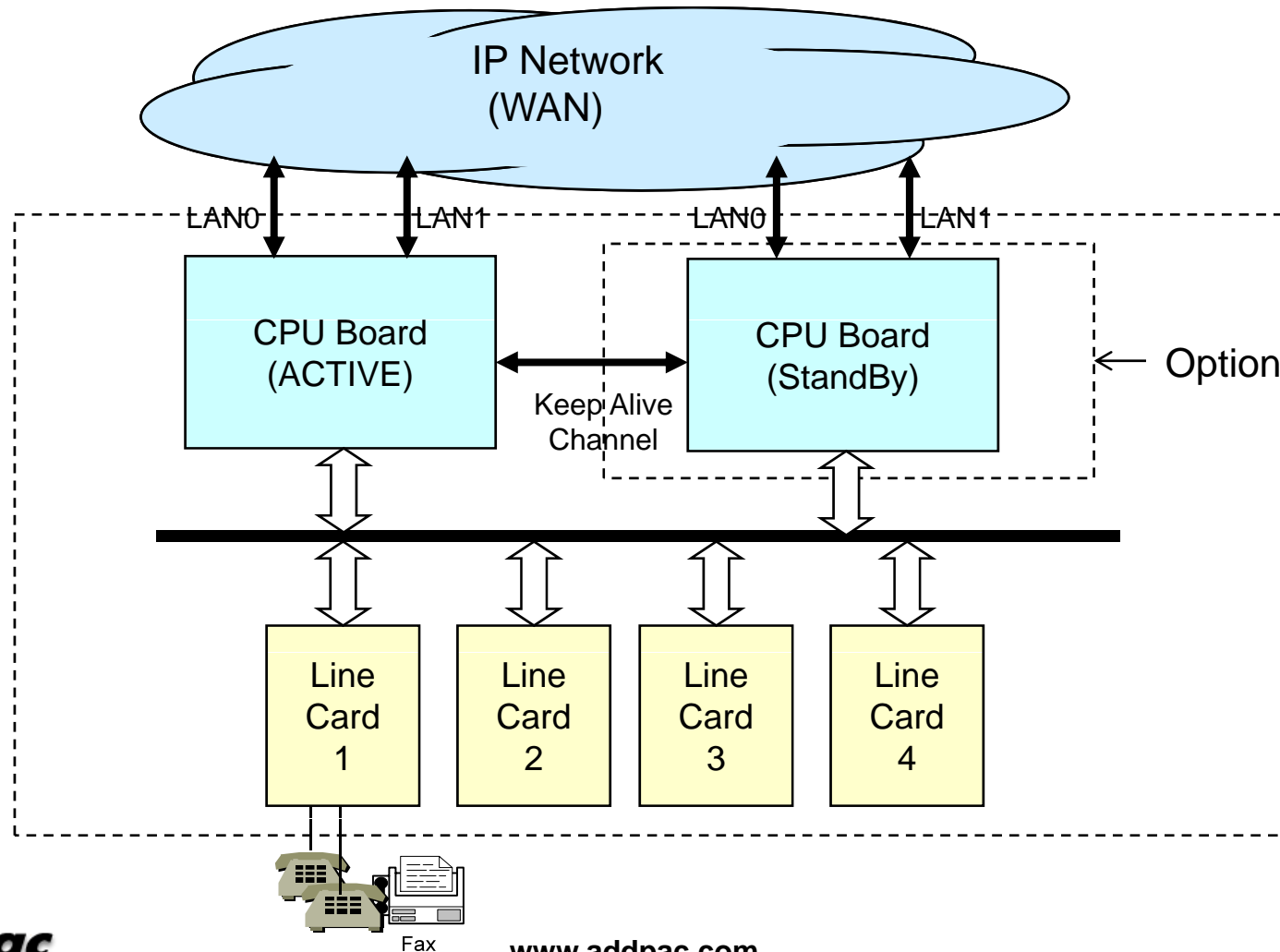
AC Power Input

Giga Ethernet  
Interface

# System Block Diagram

AP5500 Large Scale VoIP Gateway

## AP5500 System Block Diagram




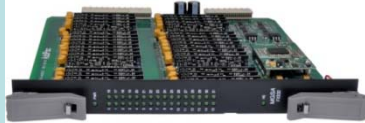



# 32-Port FXS Modules(MGSA)

MGSA : Media Gateway Subscriber Assembly

# MGSA Module Comparison

## AP5500 Large Scale VoIP Gateway

Product	MGSA-FXS32	MGSA-FXS32-N1	MGSA-FXS32-N2
			
Distance	Long Reachable Distance for Next Generation Network Service	Short & medium Reachable Distance	Short & medium Reachable Distance
Analog Ports	32 Port FXS Module	32 Port FXS Module	32 Port FXS Module
Connector	Champ Connector	Champ Connector	8 x RJ45 Connector
Caller ID	Support	Support	Support
Hot-Swap	Support	Support	Support
DSP based Voice Codec	G.711,G.729,G.723, etc	G.711,G.729,G.723, etc	G.711,G.729,G.723, etc
Ringing Voltage	Programmable : Typical 80Vrms	65Vrms	65Vrms
REN	5	3	3



# MGSA-FXS32 Module



# MGSA-FXS32 Module Diagram

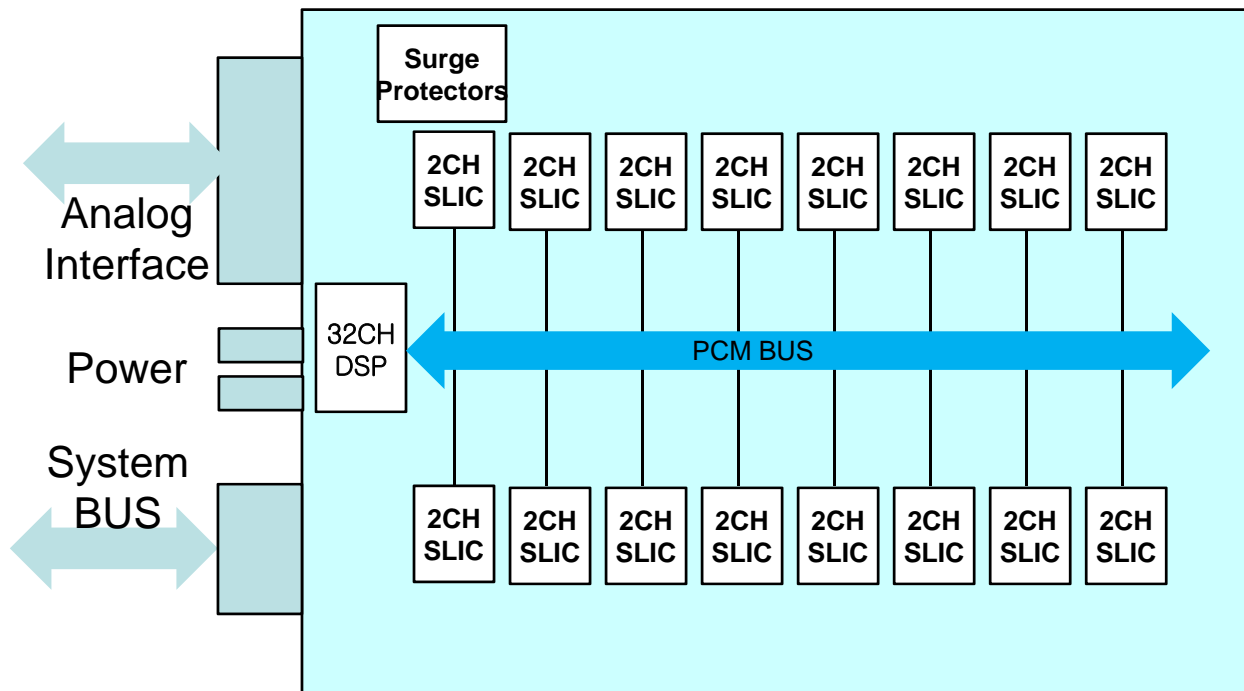
AP5500 Large Scale VoIP Gateway



# MGSA-FXS32 Module Block Diagram

AP5500 Large Scale VoIP Gateway

MGSA : Media Gateway Subscriber Assembly



# MGSA-FXS32 Module Service Features

## AP5500 Large Scale VoIP Gateway

- Long Reachable Distance for NGN Service
- SLIC Ringing
  - 5REN with pin for pin compatible 150V SLIC Device
  - Up to 140-Vpk Internal balanced sinusoidal or trapezoidal ringing with Programmable offset : Typical 80Vrms
  - Unbalanced ringing for PBX trunk compatibility
- SLIC Programmability
  - Ringing Frequency, Voltage and Current Limit
  - Two-wire AC impedance, Balance Impedance, Gain
  - DC feed Voltage and Current Limit
  - Unbalanced ringing for PBX trunk compatibility
- Powerful Surge Protection ( more than 1.5Kv)
- Universal Caller ID
- DSP based G.711, G.729, G.723.1, etc High Quality Voice Codec
- Voice QoS (Delay, Jitter, etc ) Support for end-to-end Voice Quality



# MGSA-FXS32-N1 Module

# MGSA-FXS32-N1 Module Diagram

AP5500 Large Scale VoIP Gateway

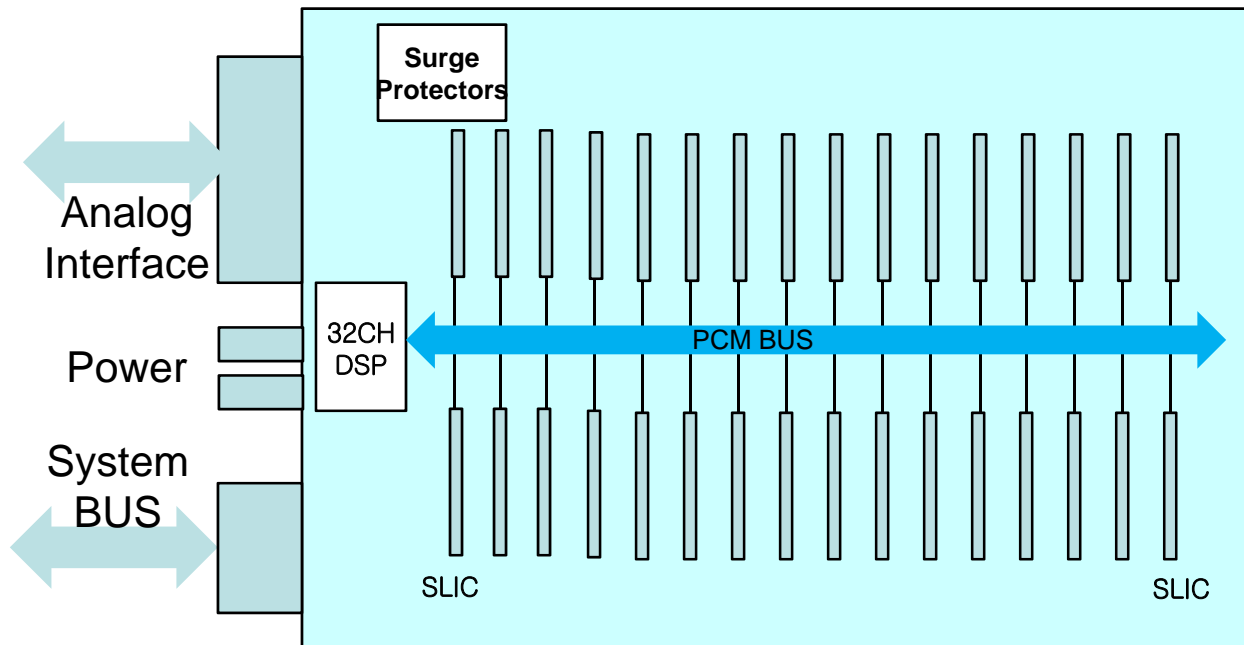
MGSA : Media Gateway Subscriber Assembly



# MGSA-FXS32-N1 Module Block Diagram

AP5500 Large Scale VoIP Gateway

MGSA : Media Gateway Subscriber Assembly



# MGSA-FXS32-N1 Module Service Features

## AP5500 Large Scale VoIP Gateway

- Loop Length : Typically 3.0Km (800 ohm including telephone)
- Tip/Ring Polarity Reversal. On-Hook Transmission for Caller ID
- Ringing
  - 65Vrms is applied to a single handset
  - Greater than 40Vrms into a REN of 3
- Powerful Surge Protection (more than 1.5Kv)
- DSP based G.711, G.729, G.723.1, etc High Quality Voice Codec
- Voice QoS (Delay, Jitter, etc ) Support for end-to-end Voice Quality



# MGSA-FXS32-N2 Module



# MGSA-FXS32-N2 Module Diagram

AP5500 Large Scale VoIP Gateway

MGSA : Media Gateway Subscriber Assembly



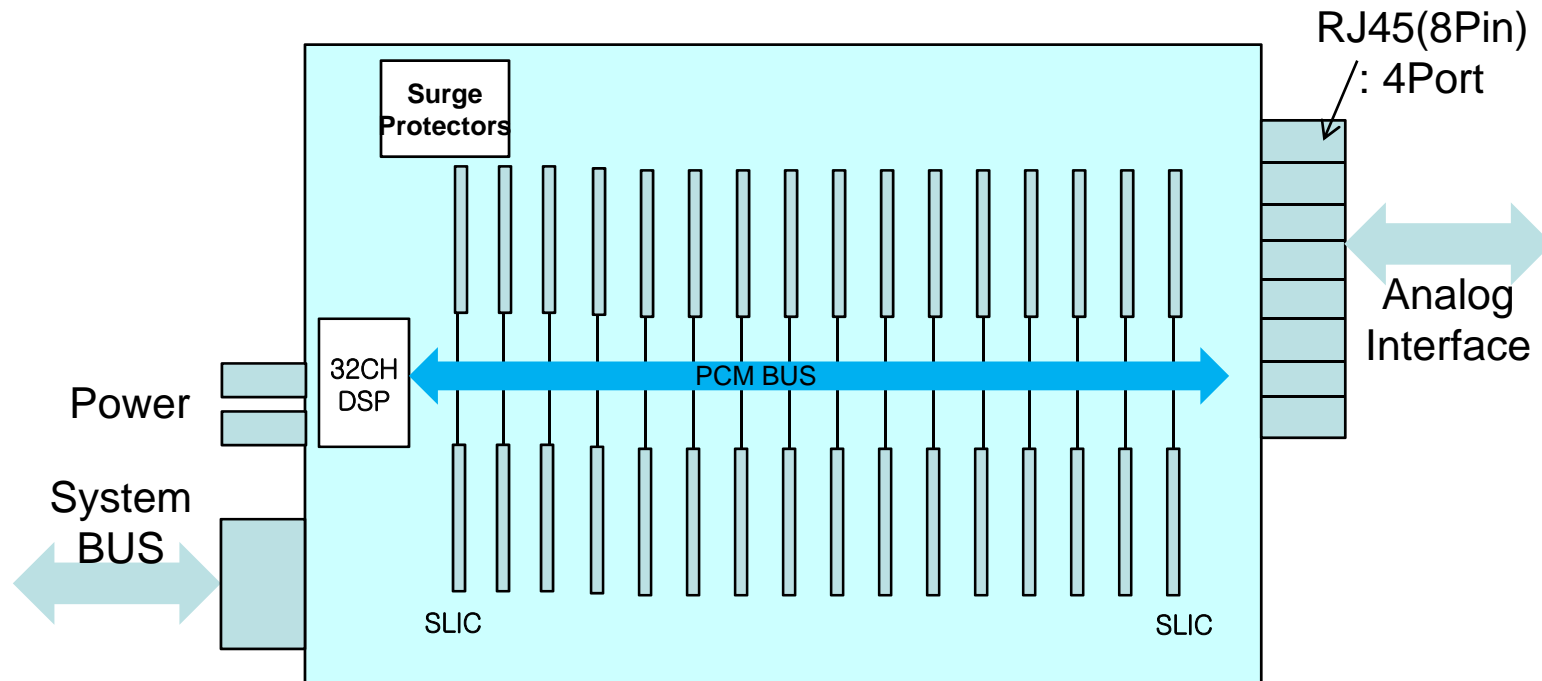
RJ45(8Pin) 1-Port :4ch

32ch = 4ch x 8Port

# MGSA-FXS32-N2 Module Block Diagram

AP5500 Large Scale VoIP Gateway

MGSA : Media Gateway Subscriber Assembly



# MGSA-FXS32-N2 Module Service Features

## AP5500 Large Scale VoIP Gateway

- Loop Length : Typically 3.0Km (800 ohm including telephone)
- Tip/Ring Polarity Reversal. On-Hook Transmission for Caller ID
- Ringing
  - 65Vrms is applied to a single handset
  - Greater than 40Vrms into a REN of 3
- Powerful Surge Protection (more than 1.5Kv)
- DSP based G.711, G.729, G.723.1, etc High Quality Voice Codec
- Voice QoS (Delay, Jitter, etc ) Support for end-to-end Voice Quality

# VoIP Gateway Series

# Thank you!

**AddPac Technology Co., Ltd.**  
Sales and Marketing

Phone +82.2.568.3848 (KOREA)

FAX +82.2.568.3847 (KOREA)

E-mail [sales@addpac.com](mailto:sales@addpac.com)