

## AP3120 VoIP Broadcasting System

High-performance, VoIP based Voice Traffic Broadcasting system

# AddPac

### Product Highlights



### VoiceFinder AP3120 VoIP Broadcasting System

VoiceFinder AP3120 VBS (VoIP Broadcasting System) provides high-performance VoIP based Voice Broadcasting Solution including IP-routing services for bank, Securities, large enterprise, and government. Moreover, the AP3120 VBS maintains best voice quality under not only high bandwidth traffic but also low bandwidth traffic using the latest voice compression algorithm and enhanced QoS management features of AddPac Technologies.

VoiceFinder AP3120 VBS consists of network interface slot and analog voice interface slot. The analog voice interface slot is designed to support the various analog line interface modules such as Direct Audio IN/OUT, FXS, FXO and E&M for satisfying the user requirements. The network interface slot supports the 2-Port Fast Ethernet interface and 2-Port Asynchronous interface Port for Console and Remote Access Management via Modem basically. Also, the network interface slot is designed to support various network environments such as ATM and Serial. This features help to protect the investment due to user network environment's changing.

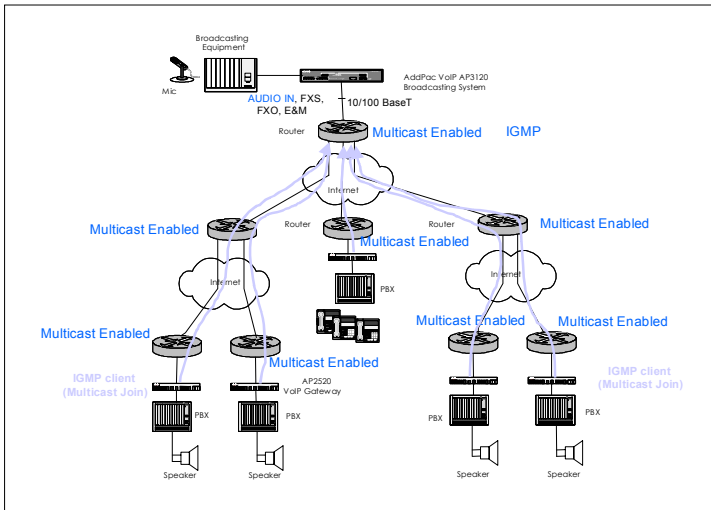
In addition, this equipment supports multiple PTP (point-to-point) service method and multicast routing service method using IGMP protocol. VoiceFinder AP3120 VBS is designed to have users the greatest satisfaction with remarkable price versus performance.

### APOS Internetworking Software for AP VoIP Gateway

AddPac PassFinder Operating System (APOS) is best router software to provide scalability, reliability, stability, and QoS for internetworking solutions. APOS also provides optimized performance and industry standard network functionality with easy-to-use, easy-to-installation, and maintenance.

- Powerful 64bit RISC Microprocessor Architecture
- High-performance Network Modular Architecture
  - One(1) Network Interface Slot
  - One(1) Analog Voice Interface Slot
- Support Two(2) 10/100Mbps Fast Ethernet Interface
- Support Audio IN/OUT, FXS, FXO, and E&M
- IGMP Multicasting Routing Protocols
- Support Multiple PTP (Point-to-Point) based Voice Broadcasting Service Scheme
- Support Multicast Routing Protocol based Voice Broadcasting Service scheme
- Web based Management using HTTP sever
- Standard SNMP Agent (MIB v2) Support for Network Management
- Multi-protocol Routing Solutions between WAN and LAN Access with H.323 and SIP\* based VoIP Protocol
- ITU-T H.323 v3 VoIP Protocol with ITU-T H.235 Security Feature
- SIP protocol support compliant with IETF RFC3261 (or RFC2543)
- H.323 and SIP dual stack support
- G.723.1, G.729A, G.711 Voice Compressions
- Support Voice Processing Features
  - VAD, DTMF, CNR, G.168
- AddPac APOS Internetworking Software to provide Scalability, Functionality, Stability, and QoS Control
- Remote Software Upgrade using FTP & TFTP
- Cisco Style Command Line Interface (CLI)
- Dual Power Supply Unit
- 1.5U x 19" Rack Mountable Chassis

## VoIP Multicasting Service Methods Using AP3120



- Voice Processing Features Supports
  - VAD, DTMF, CNG, G.168
- ITU-T H.323 Gateway, Gatekeeper Support
- Enhanced QoS Management Features for Voice Traffics
- IP packet filtering function

### Network Managements

- Standard SNMP Agent (MIB v2) Support
- Traffic Queuing
- Remote Management using Console, Rlogin, Telnet
- Web based Managements using HTTP Server

### Security Functions

- Standard & Extended IP Access List
- Enable/Disable for Specific Protocols
- Multi-Level User Account Management
- Auto-disconnect for Telnet/Console Sessions

### Other Scalability Features

- DHCP Server & Relay Functions
- IP Accounting
- Transparent Bridging (IEEE Standard) Function
  - Spanning Tree Bridging Protocol Support
  - Remote Bridging Support
  - Concurrent Routing and Bridging Support
- Network Address Translation (NAT) Function
- Port Address Translation (PAT) Function
- Cisco Style Command Line Interface(CLI)
- Network time Protocol(NTP) Support
- Remote Upgrade for APOS Management using FTP/TFTP

## Hardware Specification

### Microprocessor

- CPU 64bit RISC Microprocessor

### Memory

- Flash Memory 4Mbyte
- Main Memory 128M bps High-Speed SDRAM
- Boot Memory 512Kbyte Flash Memory

### Network Interface

- Fixed LAN Port Two(2) 10/100Mbps Ethernet Interface
- Fixed Async Serial Port Two(2) Asynchronous Serial Interface

### Voice Interface Modules

- Direct Audio In/Out Voice Module 2 Port Direct Audio In/Out Voice Interface
- FXS Voice Module 4 Port FXS Voice Interface
- FXO Voice Module 4 Port FXO Voice Interface
- E&M Voice Module 4 Port E&M Voice Interface

### Power & Operation Environments

- Power Requirement VAC 110~220V, 50/60Hz, 15Watt
- Operating Temperature 0°C to + 50°C (32° to 122°F)
- Storage Temperature -40°C to + 85°C (-40° to +185°F)
- Relative Humidity 5% to 95% (Non-condensing)

### Dimensions

- W X D X H (mm) 435mm X 205mm X 64mm
- Weight(kg) 4.45(kg)

## Support Protocols & Services

### Routing Protocols

- Static, RIP v1/v2
- OSPF v2, and IEEE 802.1Q VLAN Routing
- IGMP Protocol, Multicasting Packet Generation

### Voice over IP Service

- Supports VoIP based Voice Multicasting Service
- Supports Multiple Point-to-Point VoIP based Voice Broadcasting service
- ITU-T H.323 v3 VoIP Protocol with ITU-T H.235 Security Feature
- SIP protocol support compliant with IETF RFC3261 (or RFC2543)
- H.323 and SIP dual stack support
- Supports the G.723.1, G.729.A, G.711 Voice Compression Algorithms using High Performance DSP

### Ordering Information

- AP3120-01 : AP3120 VoIP broadcasting System Standard Configuration
  - One(1) Network Interface Slot, One(1) Voice Interface Slot
  - 64bit RISC CPU, 4MB Flash, 128MB SDRAM
  - APOS v5.xx with Operation Manual, Dual Power Supply Unit
  - Including CAB-LAN, CAB-CON
- AP-2AU : Two(2)-Port Direct Audio In/Out Voice Interface Module
- AP-4FXS : Four(4)-Port FXS Voice Interface Module
- AP-4FXO : Four(4)-Port FXO Voice Interface Module
- AP-4E&M : Four(4)-Port E&M Voice Interface Module
- CAB-LAN : RJ45 LAN Cable
- CAB-CON : RJ45 Serial Console Cable

## Contact Information

Web site : <http://www.addpac.com>

E-mail : [info@addpac.com](mailto:info@addpac.com)

### AddPac Technology Co., Ltd.

3F, Jeong-Am Bldg., 769-12, Yeoksam-Dong  
Kangnam-Gu, Seoul, 135-080, KOREA  
Phone +82 2 568 3848  
Fax + 82 2 568 3847

2000, AddPac is a registered trademark of AddPac Technology.  
Specifications and features subject to change without notice.  
All brands & products are trademarks of their respective organization.