

Multi-Port GSM Gateway Series

DTMF Relay Service Overview



AddPac

AddPac Technology

Sales and Marketing

Contents

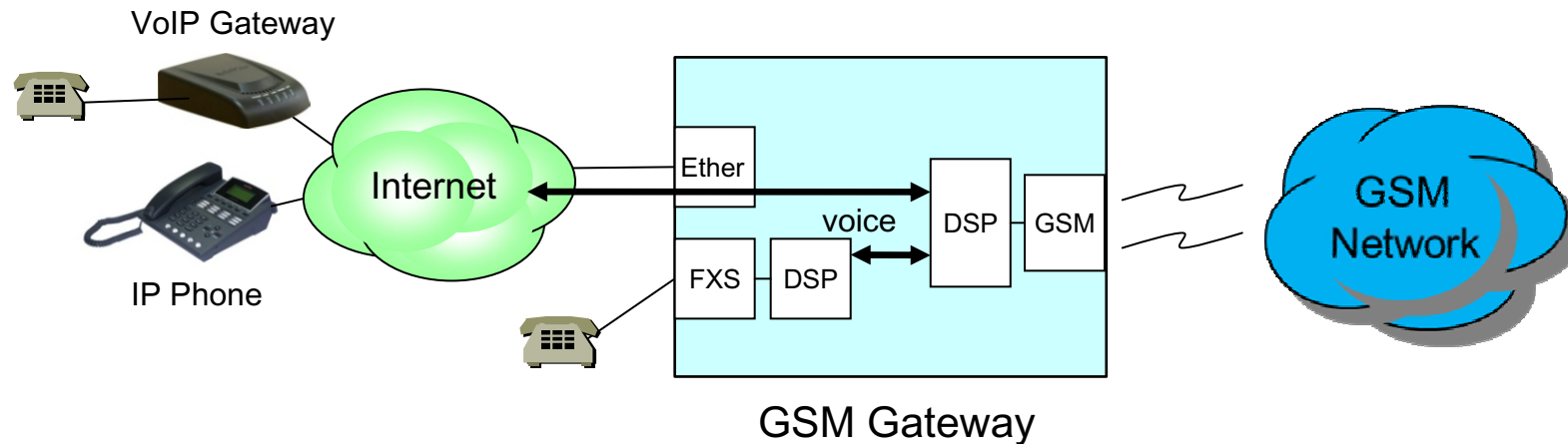
? DTMF Relay Service





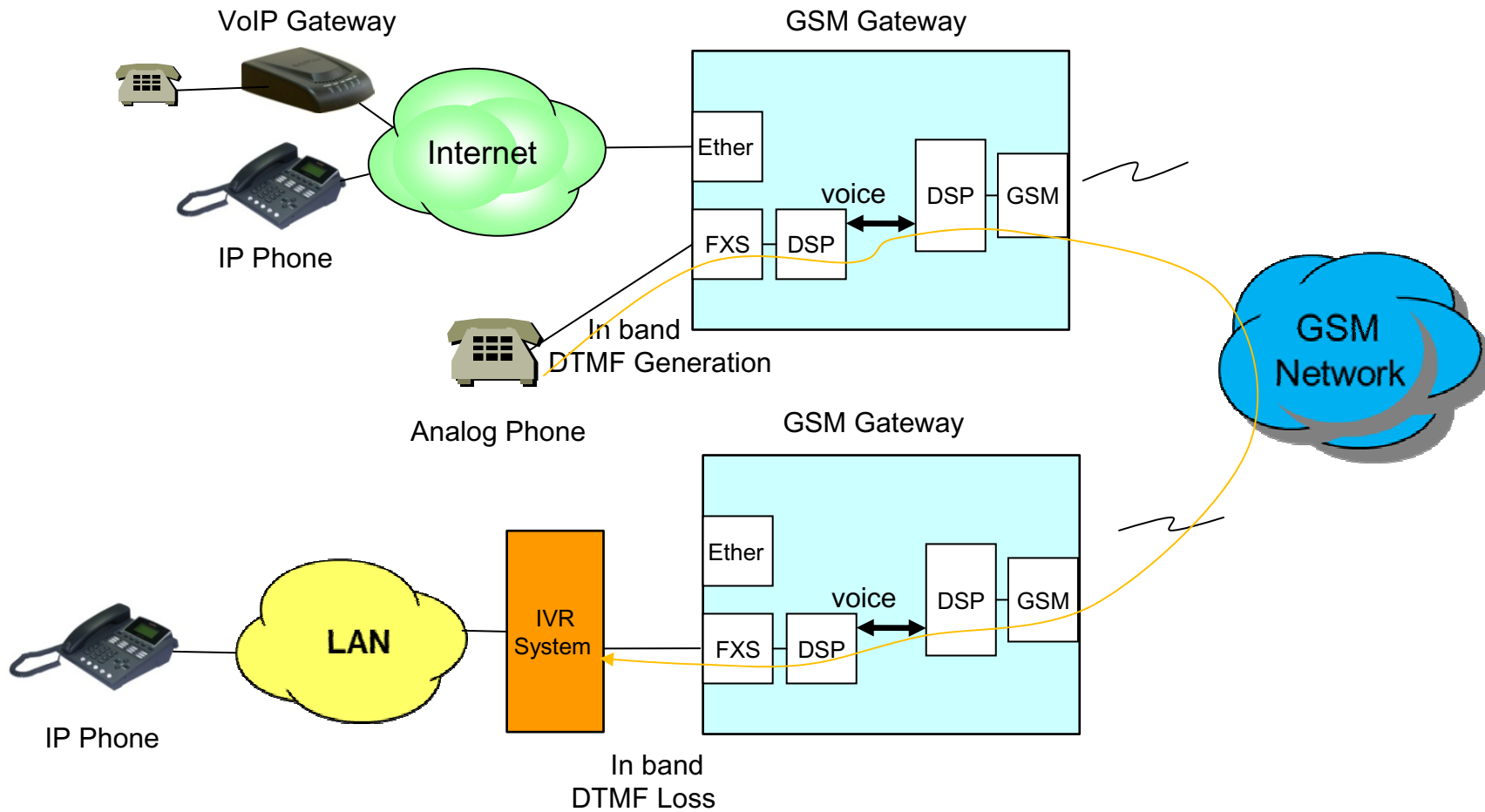
DTMF Relay Service

DTMF Relay



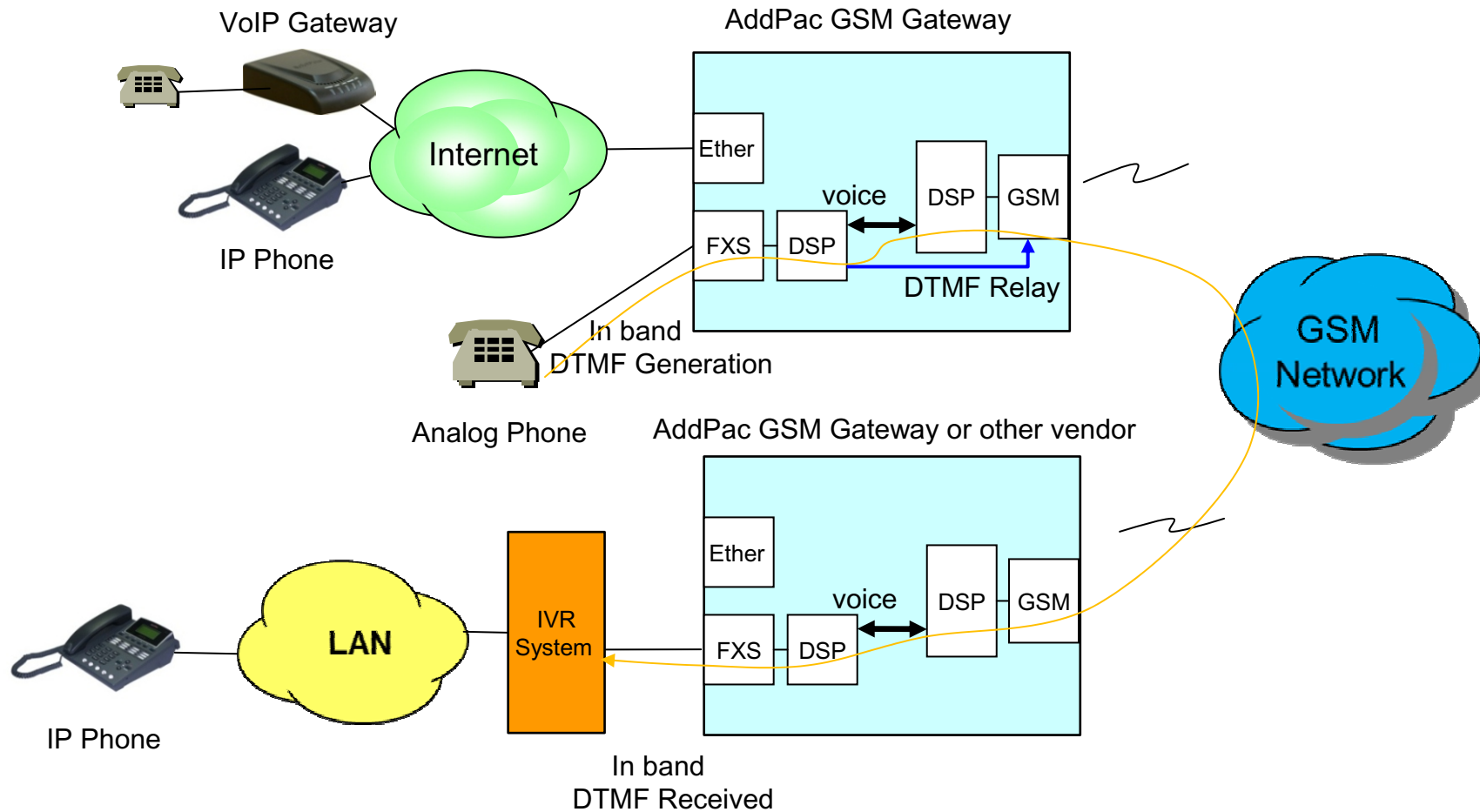
- ? Clear relay of DTMF tones (0 ? 9, #, *, A, B, C, D)
- ? DTMF detect on DSP and relay it to GSM
- ? Relay received SIP-Info RFC-2833 DTMF to GSM

Network Diagram(FXS to FXS) DTMF Tone Loss



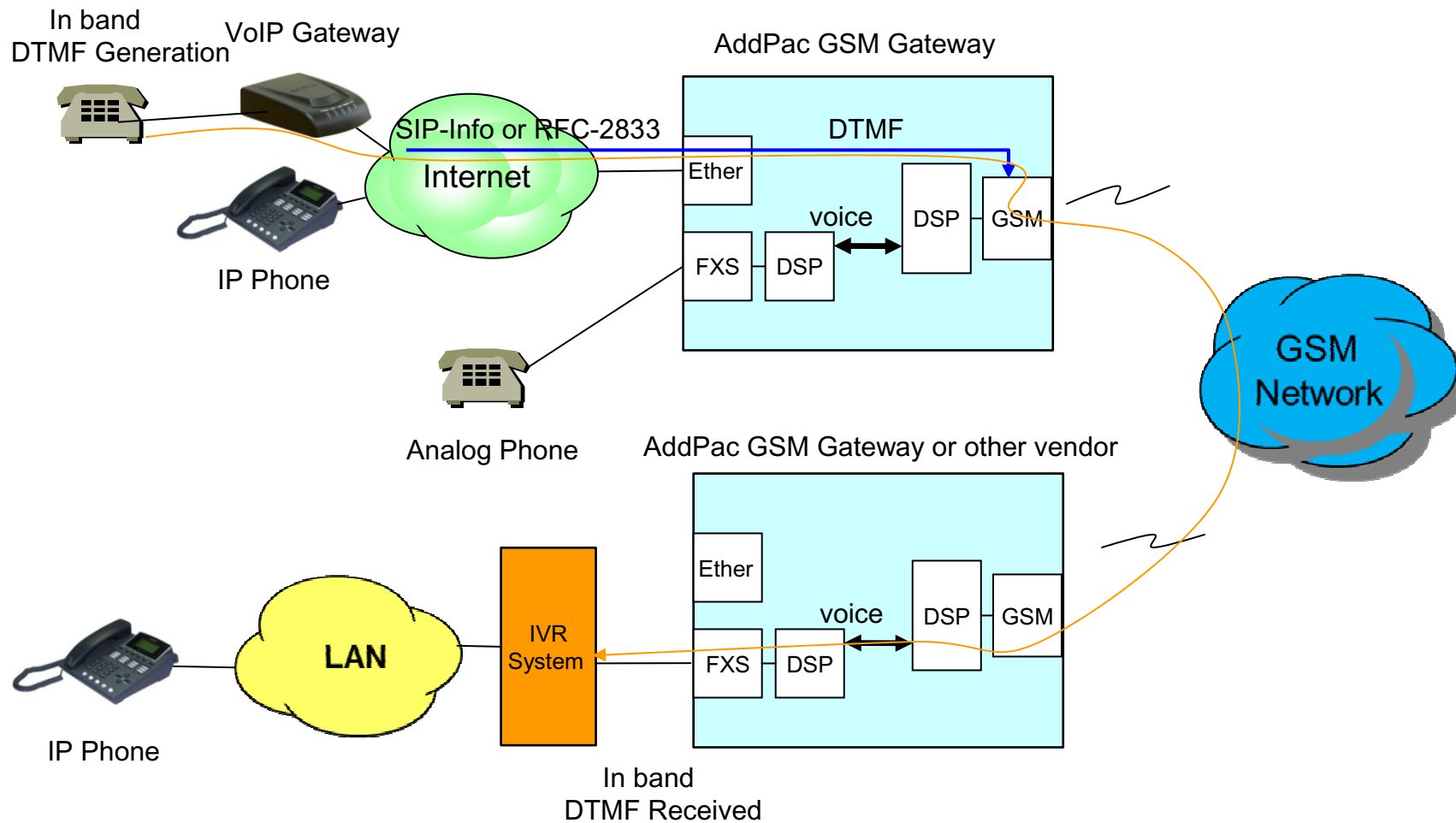
Network Diagram (FXS to FXS)

DTMF Relay Scheme to Solve DTMF Tone Loss Problem



Network Diagram (IP to FXS)

DTMF Relay Scheme to Solve DTMF Tone Loss Problem



GSM Gateway Series

Thank you!

AddPac Technology Co., Ltd.
Sales and Marketing

Phone +82.2.568.3848 (KOREA)

FAX +82.2.568.3847 (KOREA)

E-mail sales@addpac.com