

Multi-Port GSM Gateway Series

QoS Service Overview



AddPac

AddPac Technology

Sales and Marketing

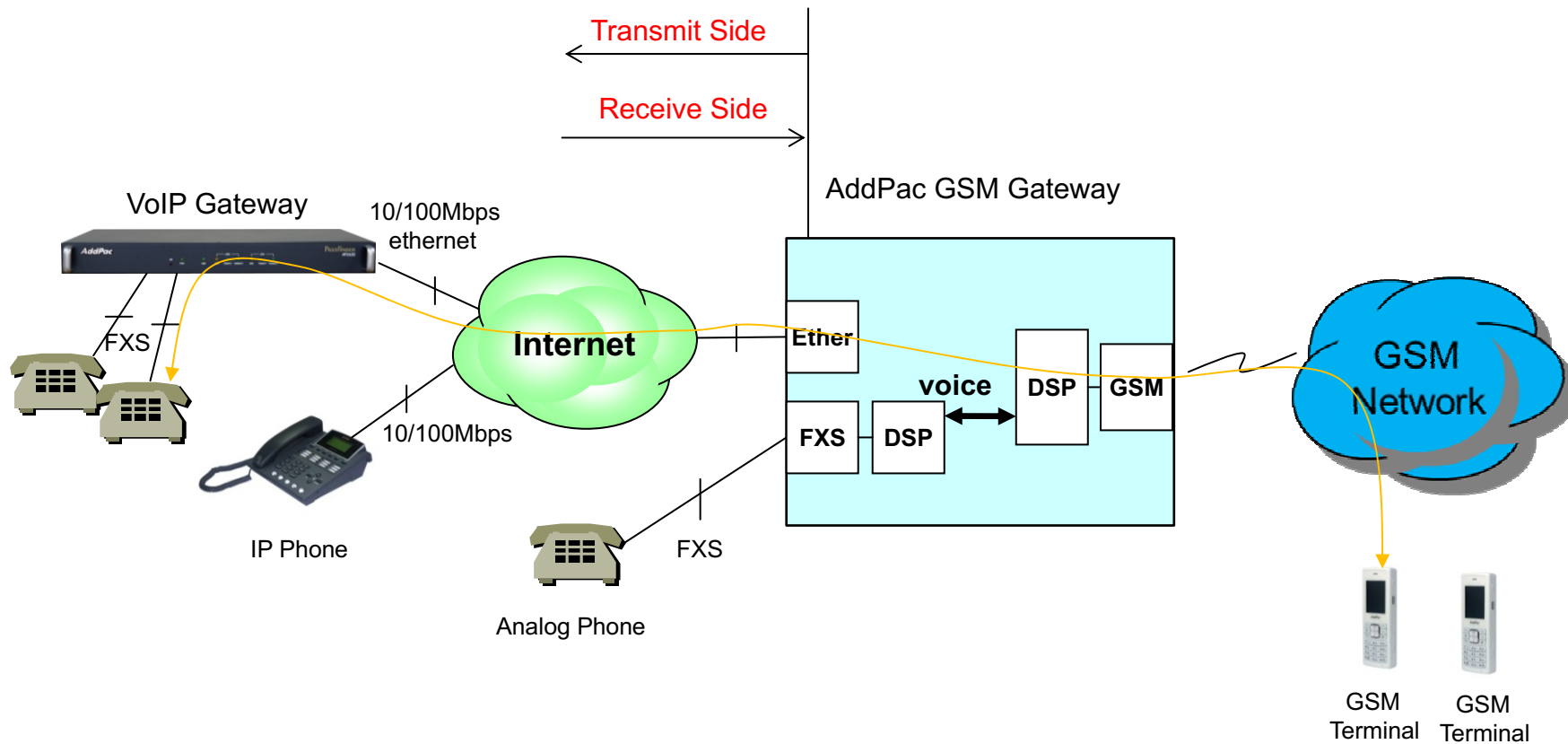
www.addpac.com

Contents

- ? Network Diagram
- ? Advanced QoS Features
- ? Packet Transmit Diagram (before, after QoS mode)
- ? Command Line Example for QoS Mode



Network Diagram



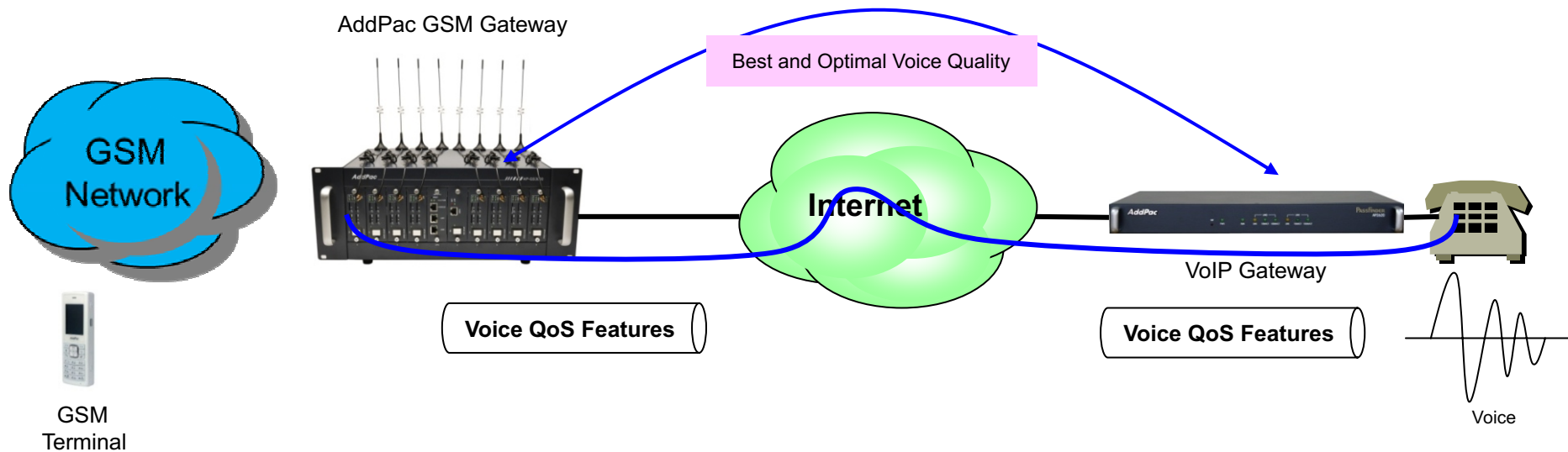
Advanced QoS Features

? Enhances **Transmit** Voice QoS Features

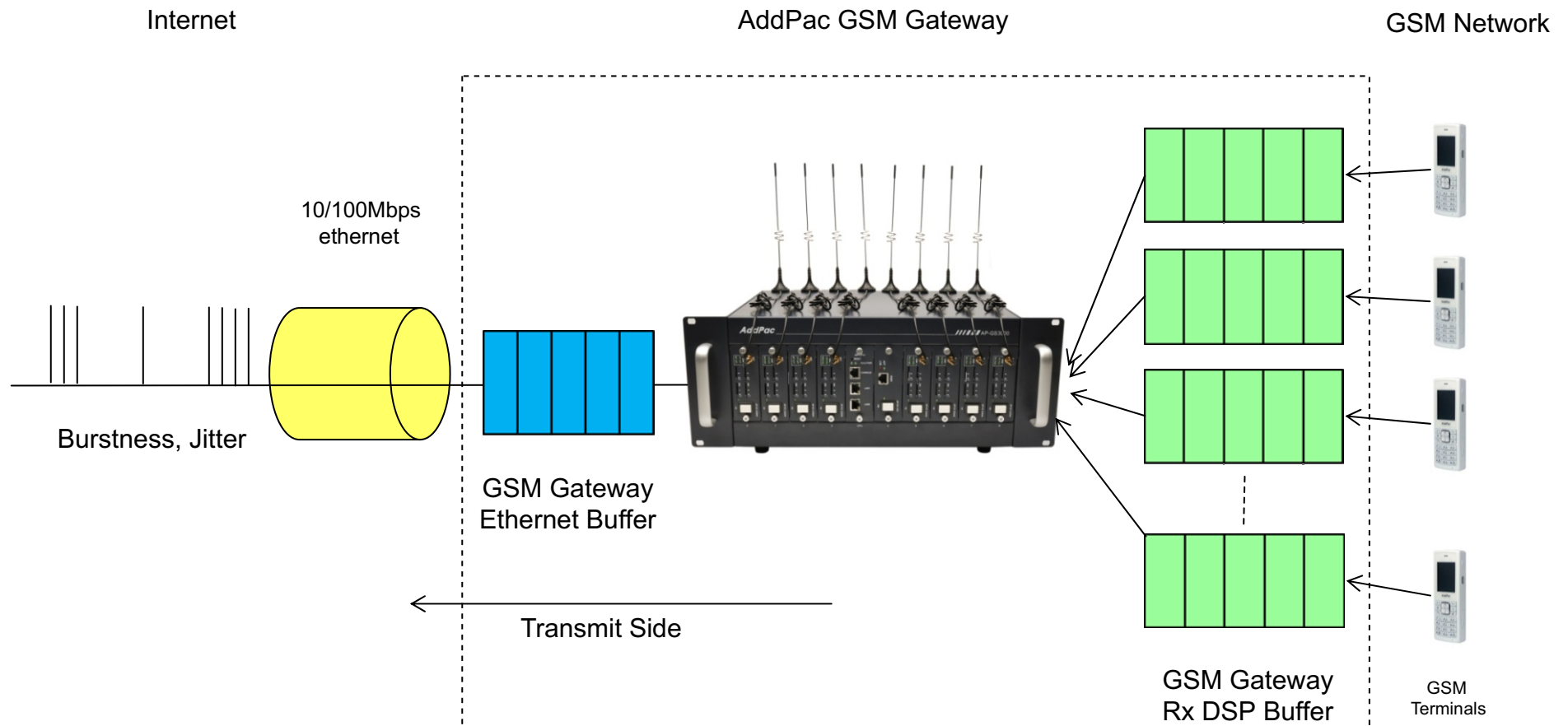
- ? Voice Traffic Priority Queuing
- ? QoS Service Profiling
- ? Providing Virtual Network Transmit Algorithm
- ? Real-time Voice Traffic QoS Support
- ? RTP Packet Transmit Interval Control
- ? Supporting RTP Packet Redundancy Scheme
- ? IP Header Control such as ToS, Diffserv

? Enhances **Receive** Voice QoS Features

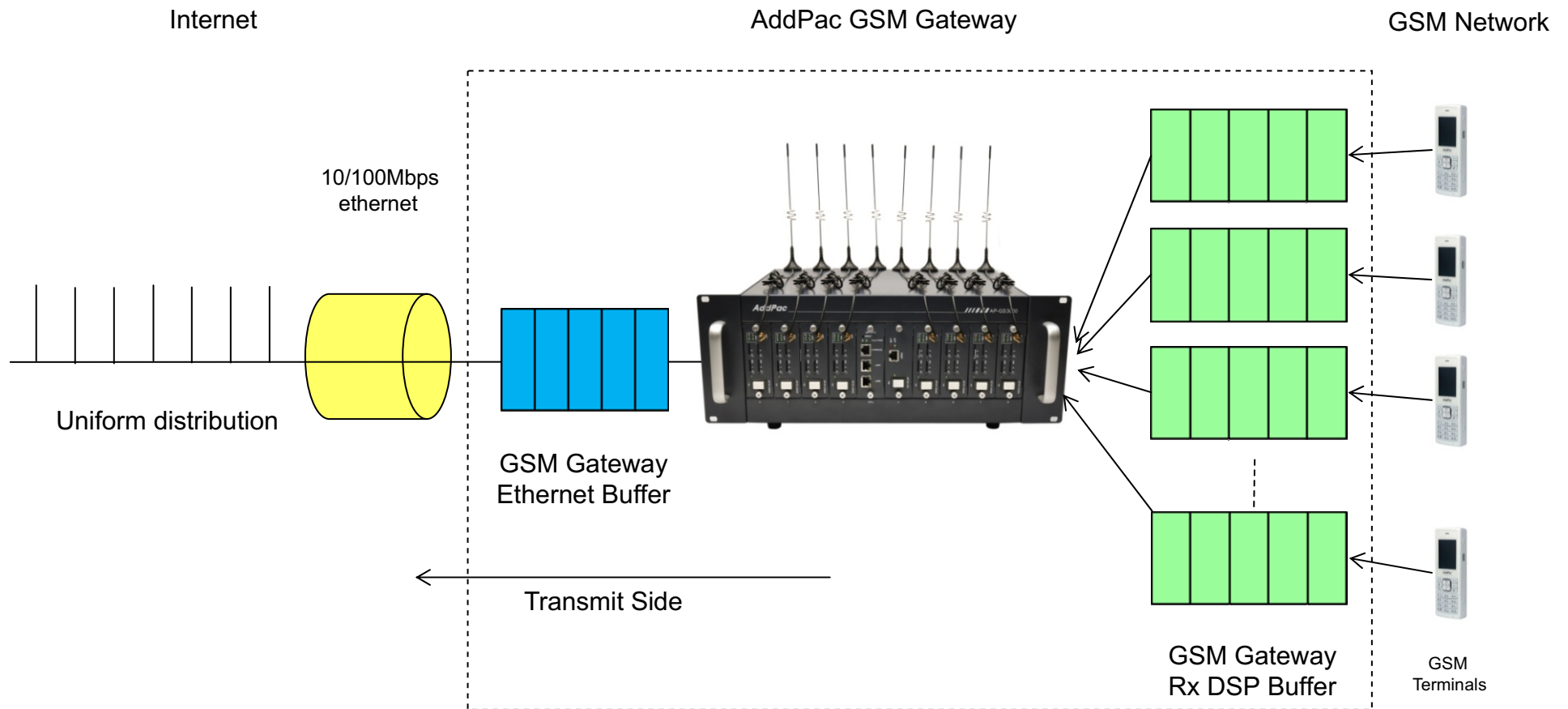
- ? Dynamic Jitter Buffer Management
- ? Error Concealment



Packet Transmit (Before QoS enable mode)



Packet Transmit (After QoS enable mode)



CLI for Ethernet interface QoS

Welcome, APOS(tm) Kernel Version 8.51.002.
Copyright (c) 1999-2010 AddPac Technology Co., Ltd.

User Access Verification

Login: **root** ↗ Login

Password:

GS3000_251> **enable** ↗ QoS Mode Enable

GS3000_251# **configure terminal** ↗ Global configuration

GS3000_251(config)# **interface FastEthernet0/0** ↗ Fast Ethernet 0/0 interface configuration

GS3000_251(config-if)# qos-control
<48-30000> Qos bandwidth (Kbps)
<cr>

GS3000_251(config-if)# qos-control 2048
<50-2000> Qos packet transmission rate (Packet Per Second)
<cr>

GS3000_251(config-if)# qos-control 2048 2000
<cr>

GS3000_251(config-if)# **qos-control 2048 2000** ↗ QoS Command

GSM Gateway Series

Thank you!

AddPac Technology Co., Ltd.
Sales and Marketing

Phone +82.2.568.3848 (KOREA)

FAX +82.2.568.3847 (KOREA)

E-mail sales@addpac.com