

# 8-Port FXS New Module (HIM-FXS8) Features for AP-MG5000 Media Gateway



**AddPac**

**AddPac Technology**

Sales and Marketing

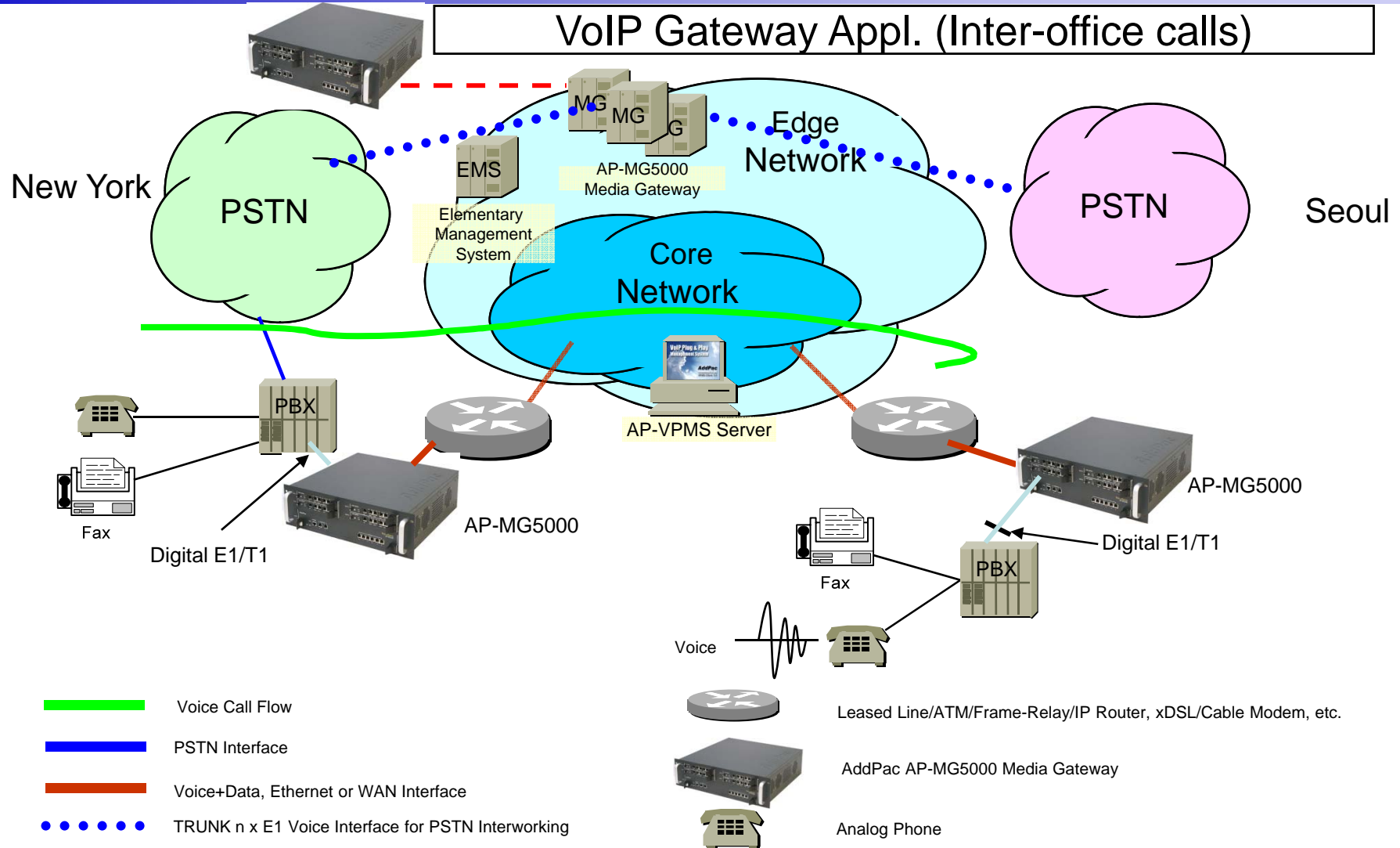
[www.addpac.com](http://www.addpac.com)

# Contents

- Network Diagram
- Large Capacity Media Gateway Comparison
- HIM-8FXS 32-Port FXS Module





# Large Capacity Media Gateway





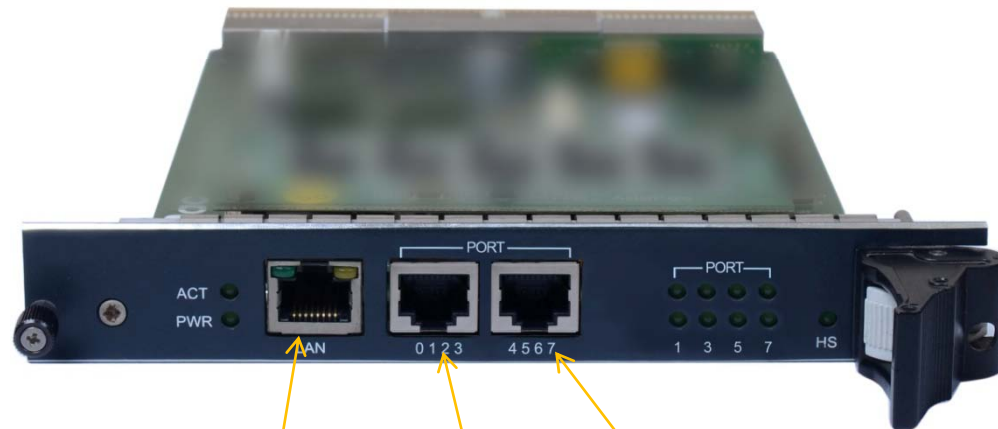
# Large Capacity Media Gateways

Product	AP-MG3800	AP-MG5000
		
Available Modules	HIM-VoIP4E1 (4 E1/T1 Module) HIM-8FXS (8-Port FXS Module)	HIM-4E1 (4 E1/T1 Module) HIM-8FXS (8-Port FXS Module)
VoIP Signaling	SIP, H.323	SIP, H.323
Digital E1/T1	Up to 8 E1	Up to 16E1
Digital Signaling	ISDN PRI, R2	ISDN PRI, R2
Module Slot	Two(2)	Four(4)
LAN Port	2	2
Console	1	1
Power	Single PSU	Dual PSU



# HIM-FXS8 Module

# HIM-8FXS Module Diagram



LAN Port

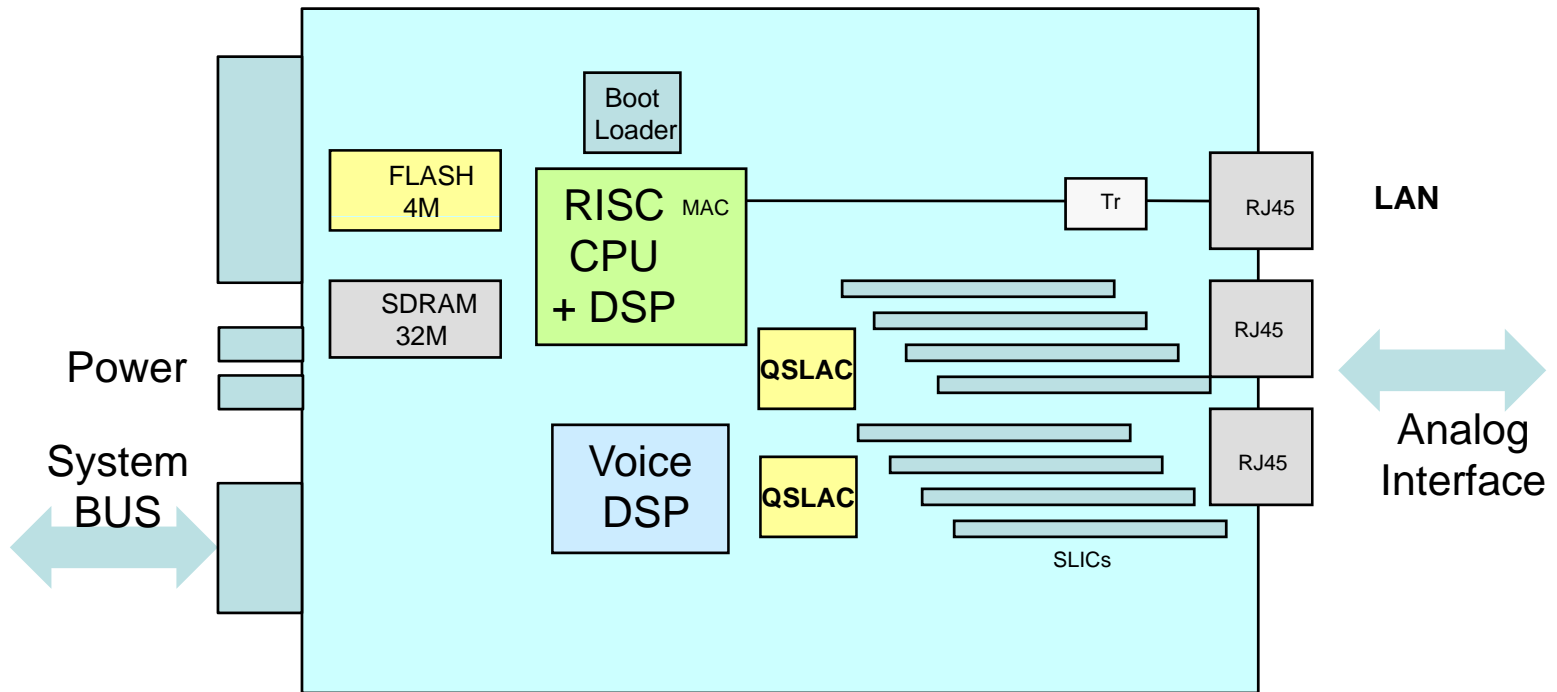
Analog FXS Port  
(0,1,2,3 Port)

Analog FXS Port  
(4, 5, 6,7 Port)

RJ45(8Pin) 1-Port :4ch

# HIM-FXS8 Module Block Diagram

8-Port Analog VoIP Module Block Diagram





# HIM-8FXS Module Service Features

- Loop Length : Typically 3.0Km (800 ohm including telephone)
- Tip/Ring Polarity Reversal. On-Hook Transmission for Caller ID
- Ringing
  - 65Vrms is applied to a single handset
  - Greater than 40Vrms into a REN of 3
- Powerful Surge Protection (more than 1.5Kv)
- DSP based G.711, G.729, G.723.1, etc High Quality Voice Codec
- Voice QoS (Delay, Jitter, etc ) Support for end-to-end Voice Quality



# Thank you!

**AddPac Technology Co., Ltd.**  
Sales and Marketing

Phone +82.2.568.3848 (KOREA)

FAX +82.2.568.3847 (KOREA)

E-mail [sales@addpac.com](mailto:sales@addpac.com)