

AP-NC600™

2-Ch D1 Video Codec

High-performance Network Surveillance Solution

RTSP based H.264 Video Codec
Service Features



AddPac

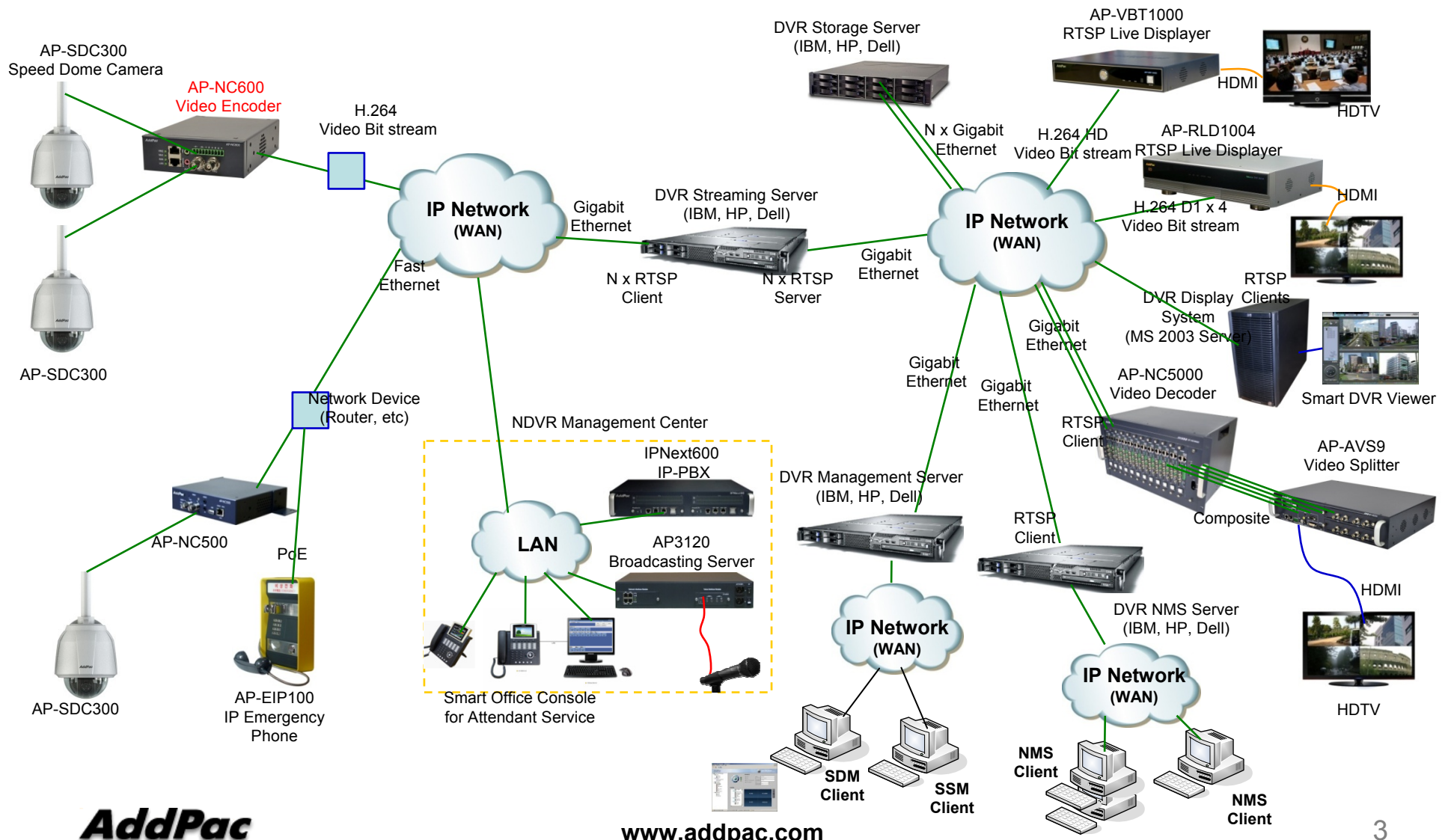
AddPac Technology

2010, Sales and Marketing

Contents

- AP-NC600 Network DVR Service Diagram
- AP-NC600 Main Features
- AP-NC600 Hardware Specification
- RSTP Service
- Video Codec Service Features

Network DVR Service Diagram



Main Features

AP-NC600 Video Codec

- IP based Video Encoding Solution
- Dual-Channel D1 Video Encoder (NTSC, PAL)
- H.264 Dual Encoding Stream (D1, CIF) per Channel
- H.264 **High Profile/Main Profile/Base Line Profile** Video Codec
- RTP/RTCP, UDP Protocol Support
- **RTSP, TCP/UDP** Protocol Support
- IP based Network Surveillance Solution
- High-performance Video Service
- Firmware Upgradeable Architecture
- Video Solution with Outstanding Network Service Capability
- Video Privacy Protection
- Web based Management
- Command Line Interface Support via RS232C Console Port
- Compact Chassis, DC External Power Supply

Hardware Specification

AP-NC600 Video Codec

AP-NC600 Front Side View



Gigabit Ethernet

RS232C Console

Video Input (CH#0)

Video Input (CH#1)

AP-NC600 Back Side View



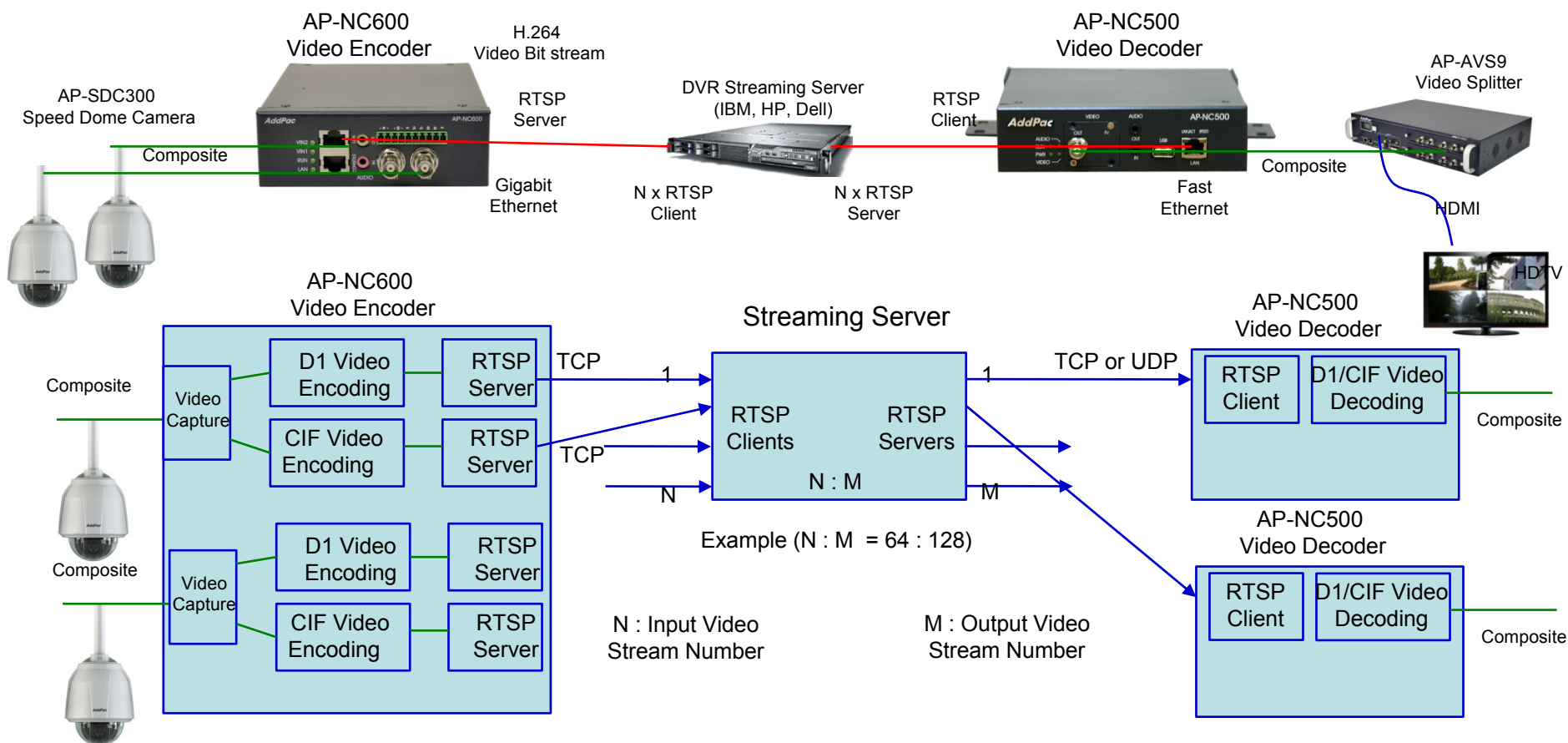
Power Adaptor Input

Power On/Off Switch

RTSP Service Network Diagram

AP-NC600 Video Codec

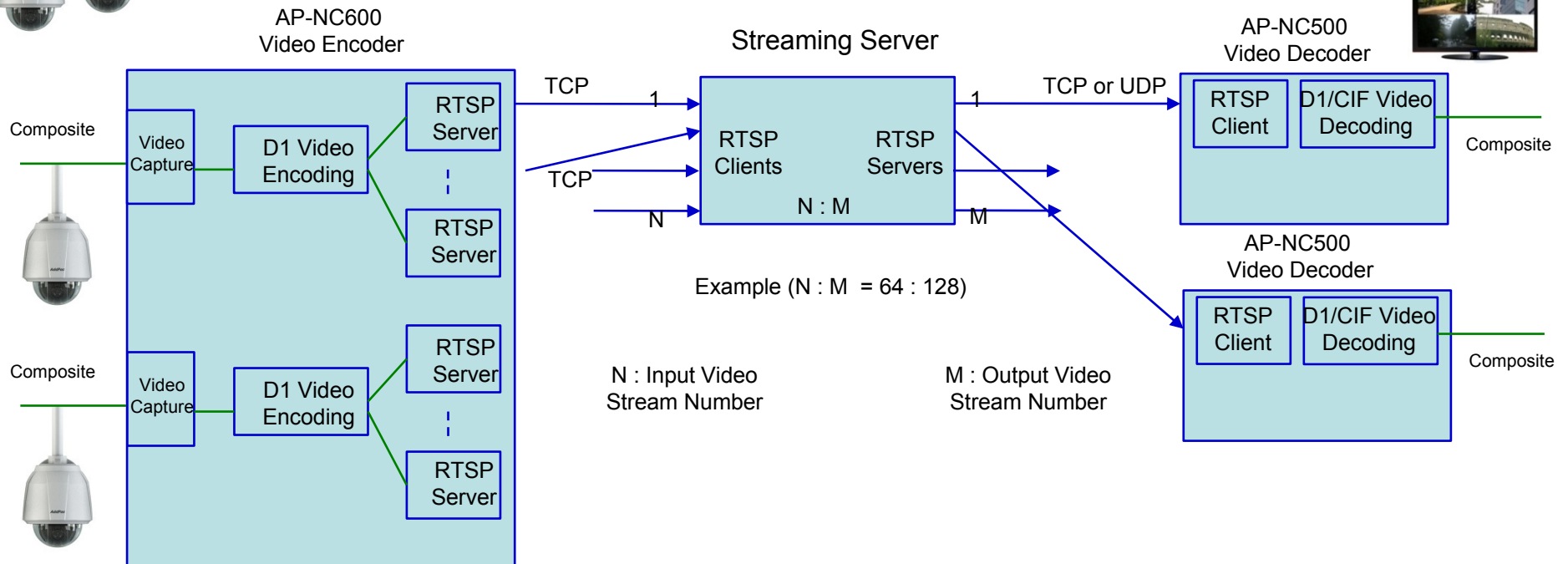
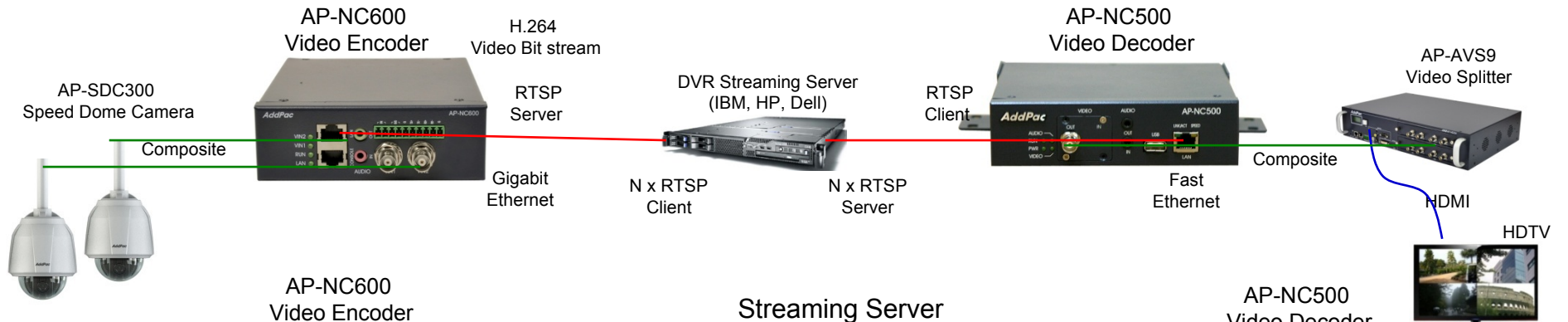
D1, CIF Dual Video Encoding per Channel



RTSP Service Network Diagram

AP-NC600 Video Codec

D1 or CIF Single Video Encoding per Channel



RTSP Service Features

AP-NC600 Video Codec

- AP-NC600 Video Encoder Mode
 - RTSP Server Mode
 - Multi-Channel RTSP Server Mode
(D1, CIF Dual Encoding Mode or Single Encoding D1, etc)
 - RTSP, TCP Protocol Support for Error Robust Service

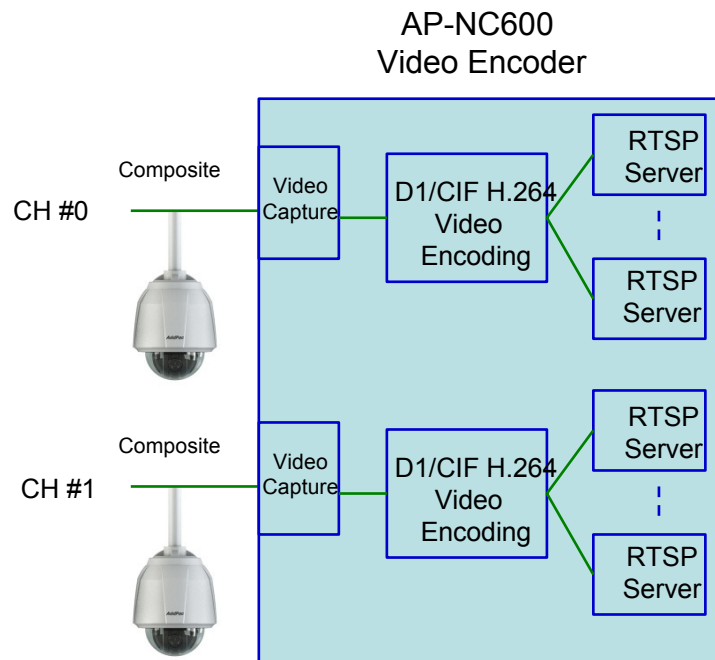
Video Codec Service Features

AP-NC600 Video Codec

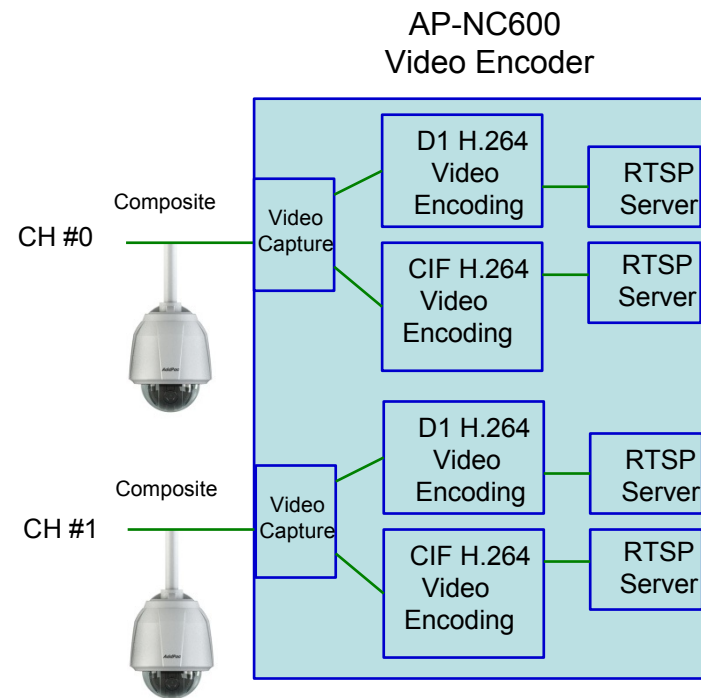
- AP-NC600 Video Encoder Mode
 - H.264 D1(720x480) Single Encoding per Channel
 - H.264 CIF(352x288) Single Encoding per Channel
 - H.264 D1, H.264 CIF Dual Encoding per Channel

Video Codec Service Features

AP-NC600 Video Codec



Single H.264 Video Encoding



H.264 Dual Video Encoding



Thank you!

AddPac Technology Co., Ltd.
Sales and Marketing

Phone +82.2.568.3848 (KOREA)

FAX +82.2.568.3847 (KOREA)

E-mail sales@addpac.com