



IPNext185™

Hybrid IP-PBX System

High-performance 4E1/T1 Hybrid IP-PBX Solution

H/W Design Concept



AddPac

AddPac Technology

2011, Sales and Marketing

www.addpac.com

Contents

- Product Overview
- Hardware Specification
- VoIP Modules
- AP-N1-FXS8 8-Port FXS Module Block Diagram
- AP-N1-FXO8 8-Port FXO Module Block Diagram
- 8-Port FXS + 8-Port FXO Service Configuration
- 8-Port FXS + Digital E1/T1 Service Configuration
- 2-Port Digital E1/T1 Service Configuration
- 4-Port Digital E1/T1 Service Configuration
- Network Diagram

Product Overview

- IP based Advanced KeyPhone Solution
- IPv4/IPv6 Multimedia Telephony Solution for Small Office
- PSTN Interface (Digital E1/T1, FXS, FXO) Support
- Up to 4E1 Media Gateway Performance Support
- Powerful Management and User Friendly Features
- Fault Tolerant and Scalability Architecture
- High-performance Video, Audio, and Voice Service
- Firmware Upgradeable Architecture
- IVR Service with Scenario Editor
- Voice Mailing Service
- Presence Service for High-End IP Key Phone, UC
- RTP Proxy Service for Private IP service
- SIP, H.323 Signaling for Outbound Calls
- Various Call Scenario (Call Pickup, Call Park, Call Transfer, etc)
- Various IP Terminal Support

Hardware Specification

RISC
CPU

High-end
DSP

- RISC Microprocessor Computing Power
- Ten(2) Module Slot for Analog, Digital VoIP Interface
- VoIP Interface Module (Hot-Swap)
 - 8-Port FXS Module (AP-N1-FXS8)
 - 8-Port FXO Module (AP-N1-FXO8)
 - 1-Port Digital E1/T1 Module (AP-N1-E1)
 - 2-Port Digital E1/T1 Module (AP-N1-2E1)
- Network Interface
 - Two(2) 10/100Mbps Fast Ethernet (RJ45)
- RS232C Console Interface for CLI
- Run LED, LAN LED, Port LEDs
- Internal Power Supply

Hardware Specification

RISC
CPU

High-end
DSP

Front Side



Console Port

LAN1 (10/100Mbps)

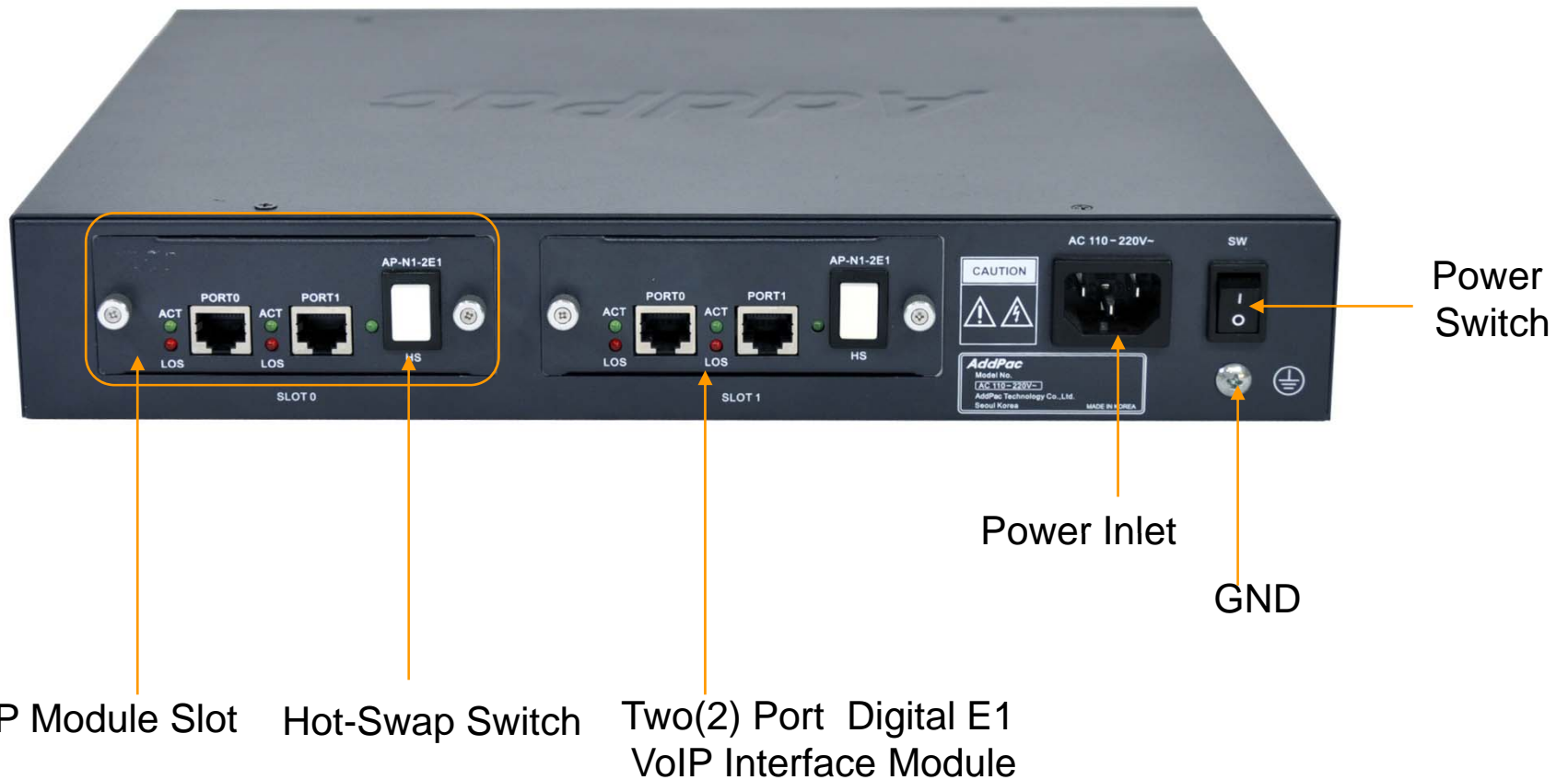
LAN0(10/100Mbps)

Hardware Specification

RISC
CPU

High-end
DSP

Back Side








VoIP Modules

RISC
CPU

High-end
DSP

IPNext185 VoIP Modules

AP-N1-FXS8 8-Port FXS Module	
AP-N1-FXO8 8-Port FXO Module	
AP-N1-FXS4O4 4-Port FXS&4-Port FXO Module	
AP-N1-E1 1-Port Digital E1/T1 Module	
AP-N1-2E1 2-Port Digital E1/T1 Module	

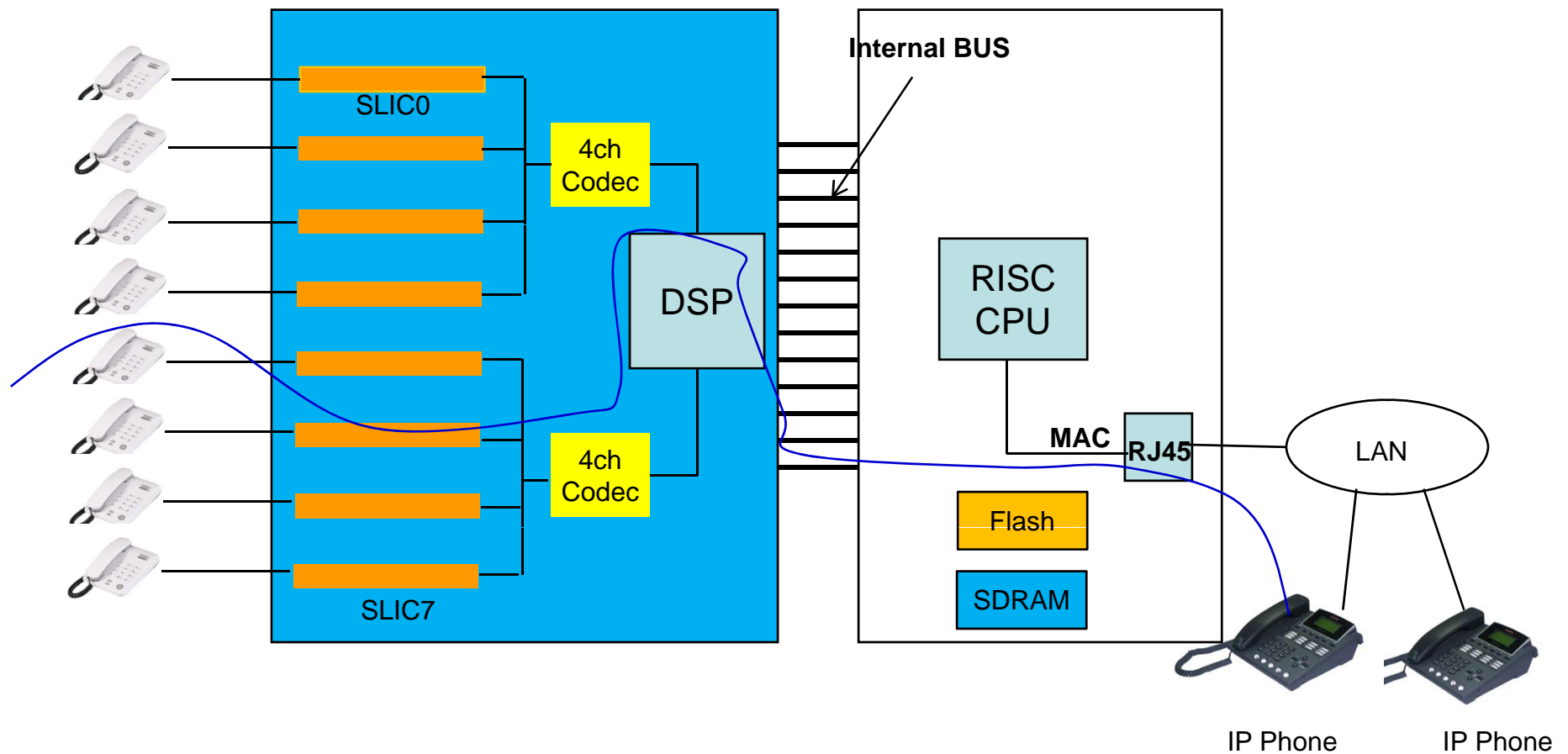
AP-N1-FXS8 H/W Block Diagram

RISC
CPU

High-end
DSP

IPNext185 VoIP Service Diagram

AP-N1-FXS8 8-Port FXS Internal H/W Block Diagram



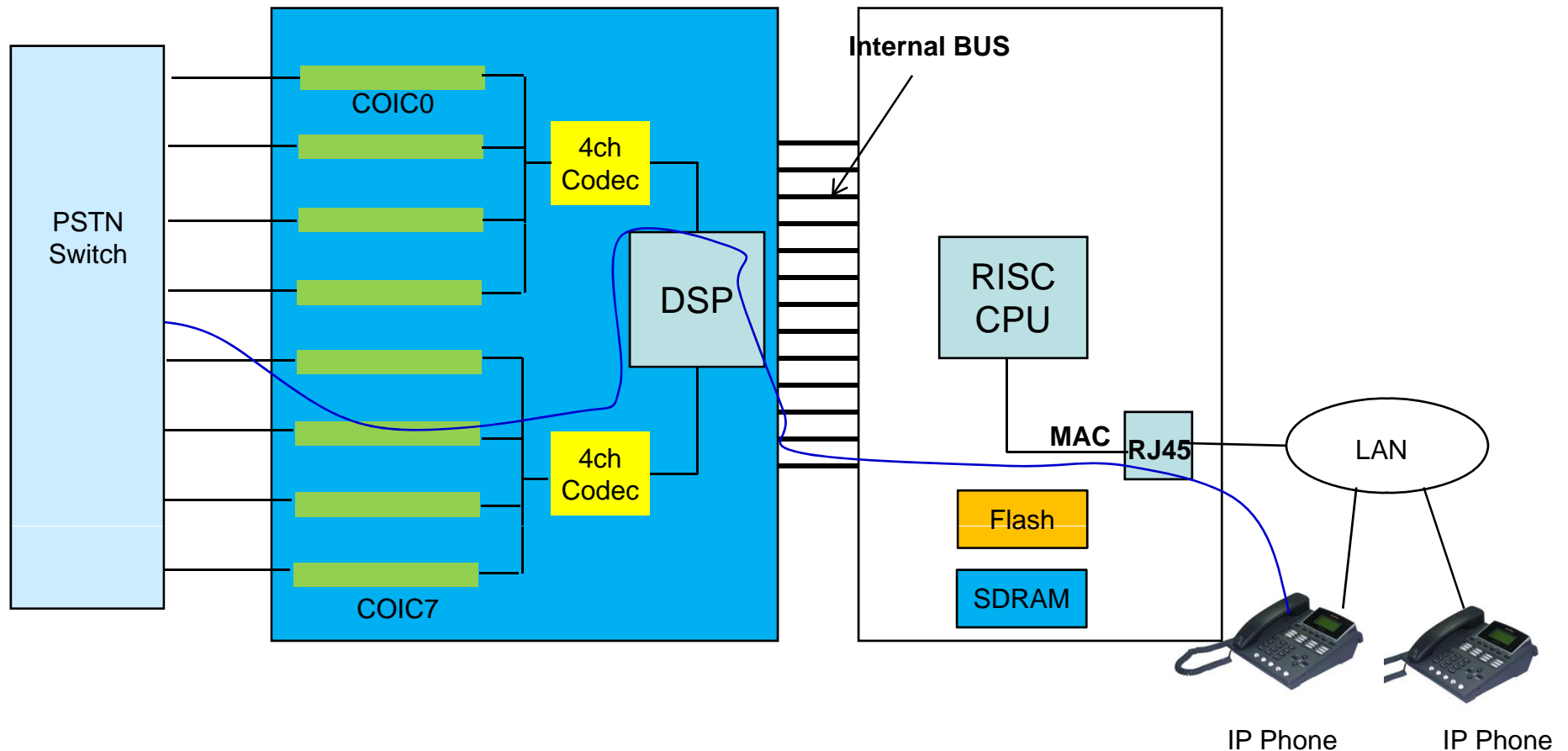
AP-N1-FXO8 H/W Block Diagram

RISC
CPU

High-end
DSP

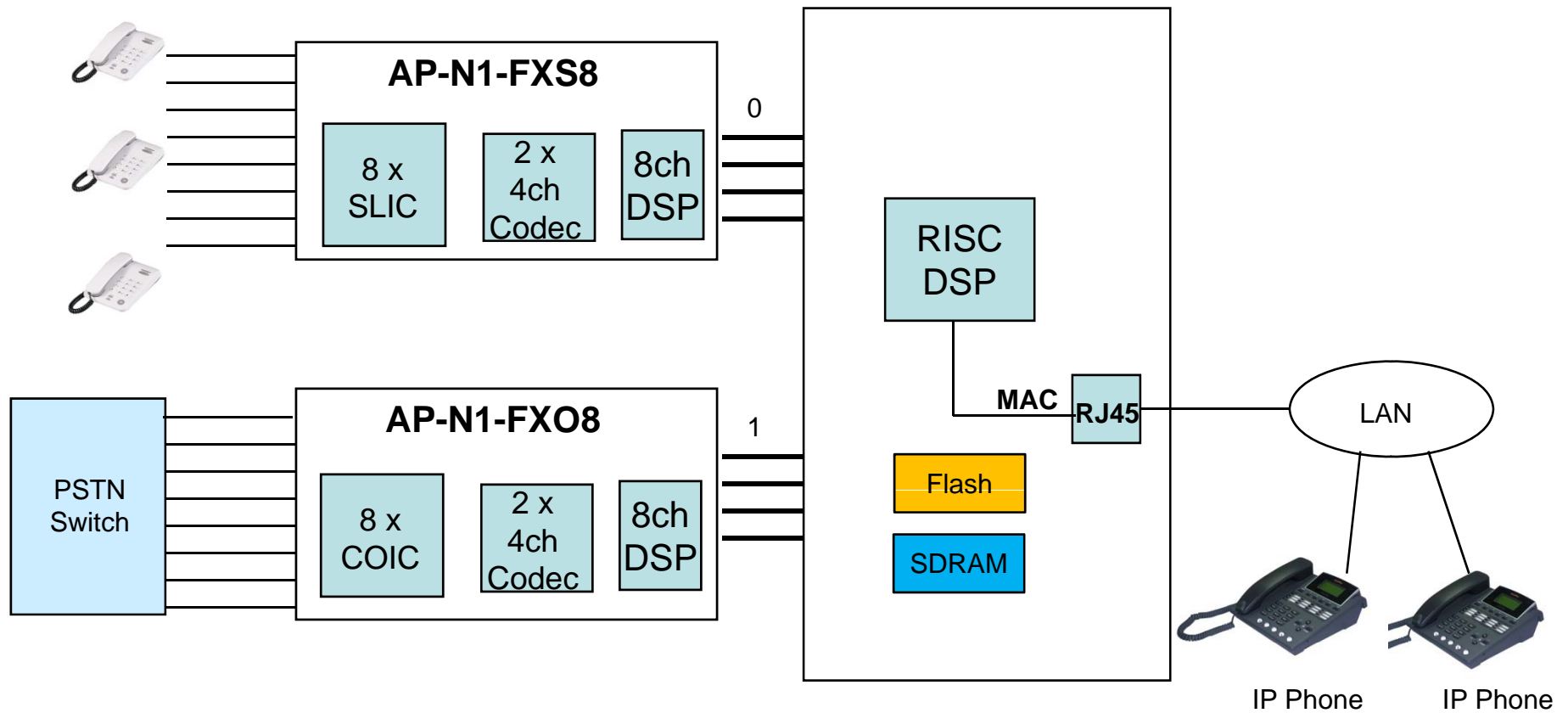
IPNext185 VoIP Service Diagram

AP-N1-FXS8 8-Port FXO Internal H/W Block Diagram



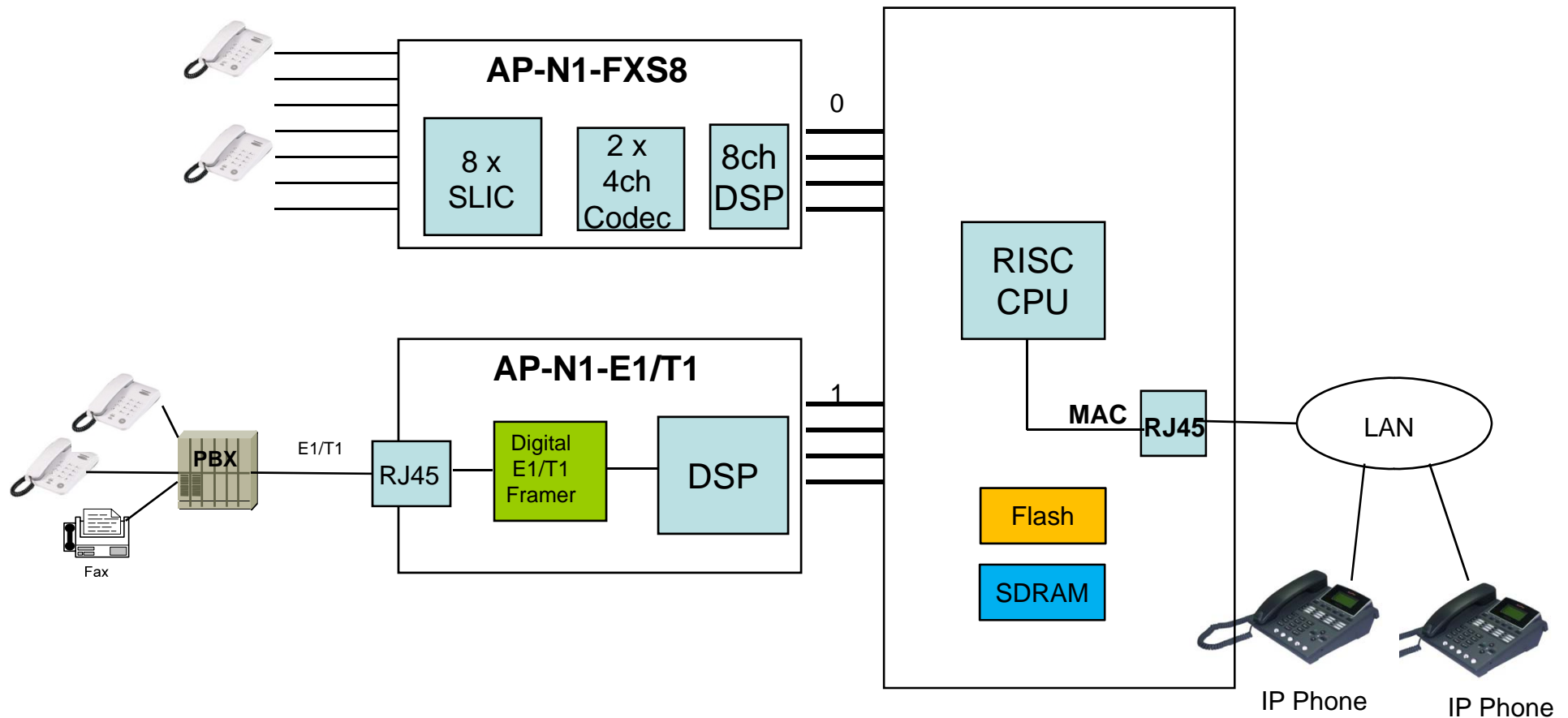
8-Port FXS + 8-Port FXO Configuration

IPNext185 VoIP Service Diagram



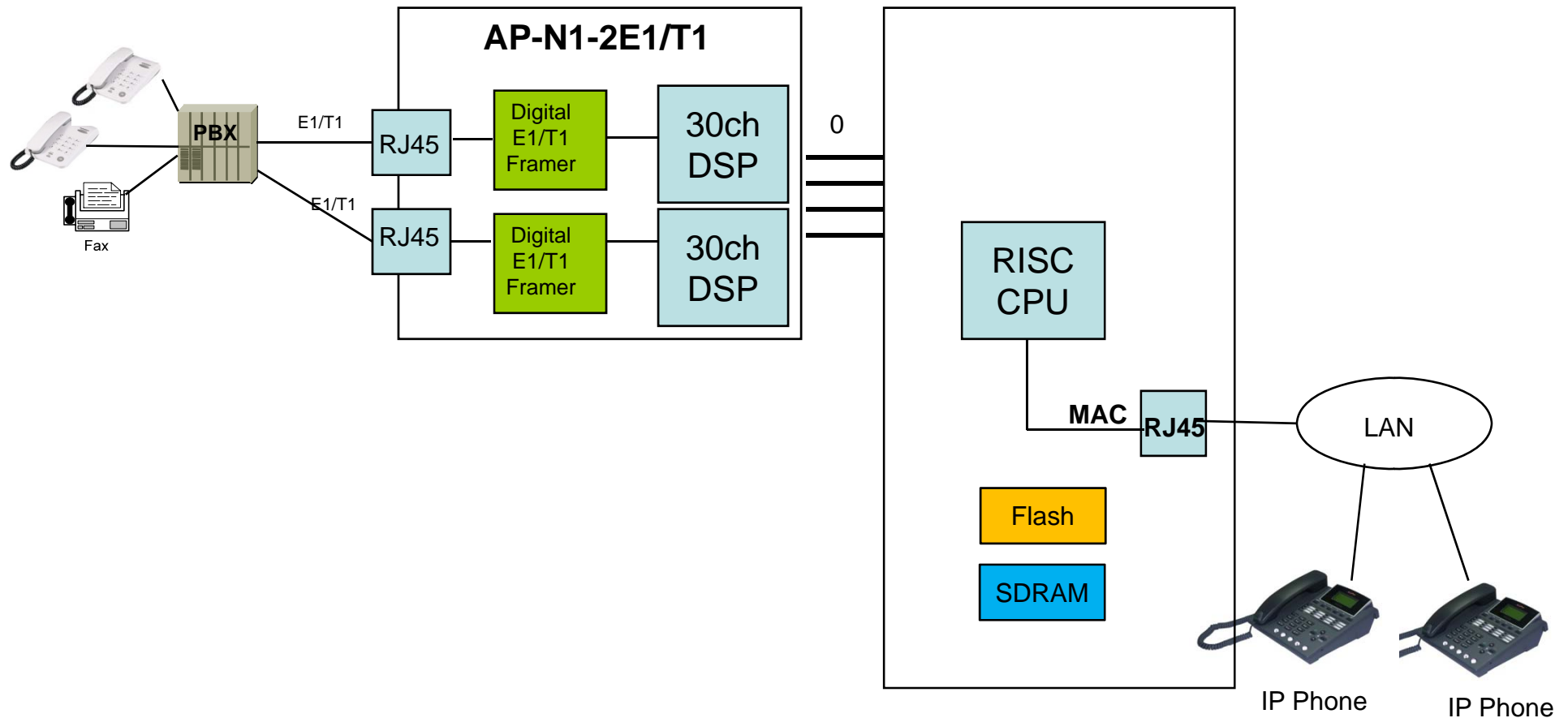
8-Port FXS + Digital E1/T1 Configuration

IPNext185 VoIP Service Diagram



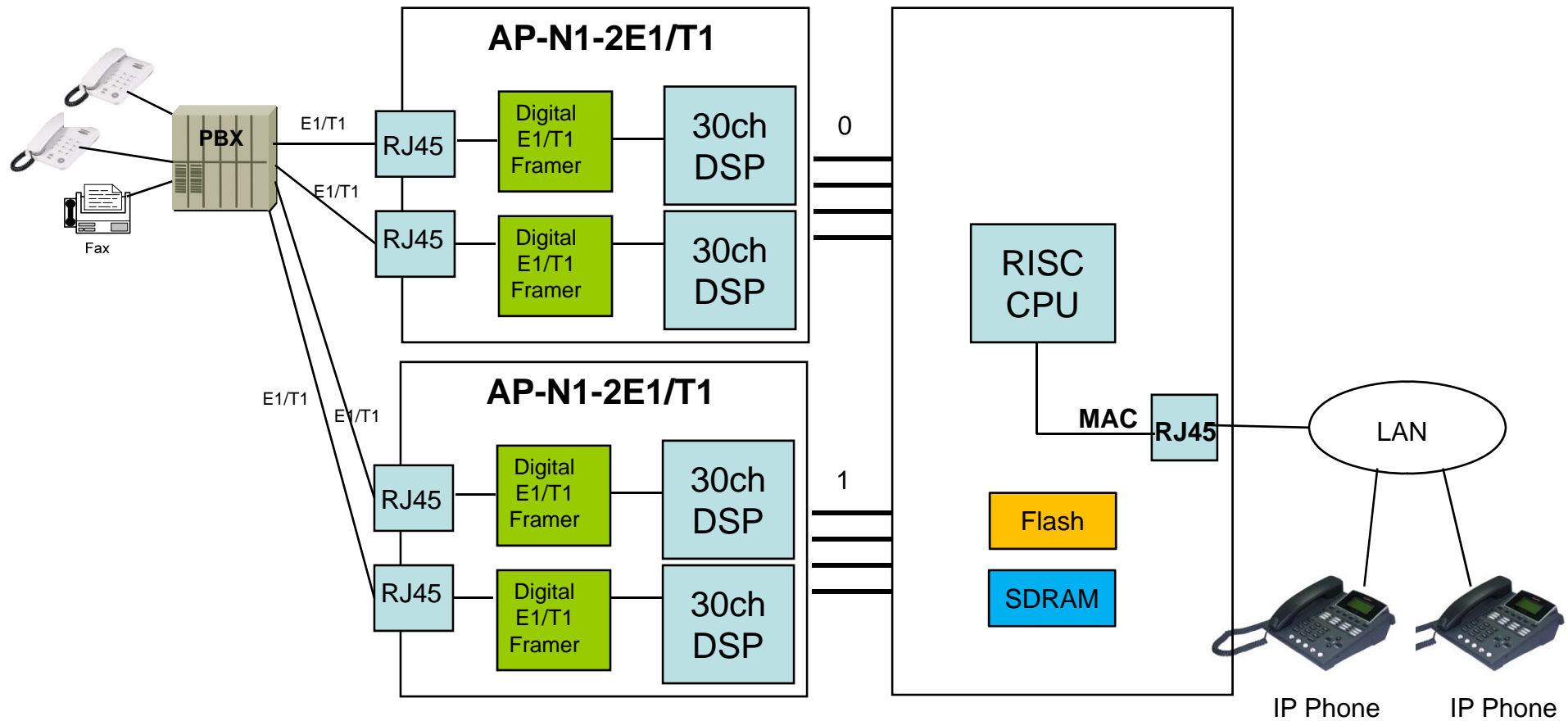
2-Port Digital E1/T1 Configuration

IPNext185 VoIP Service Diagram

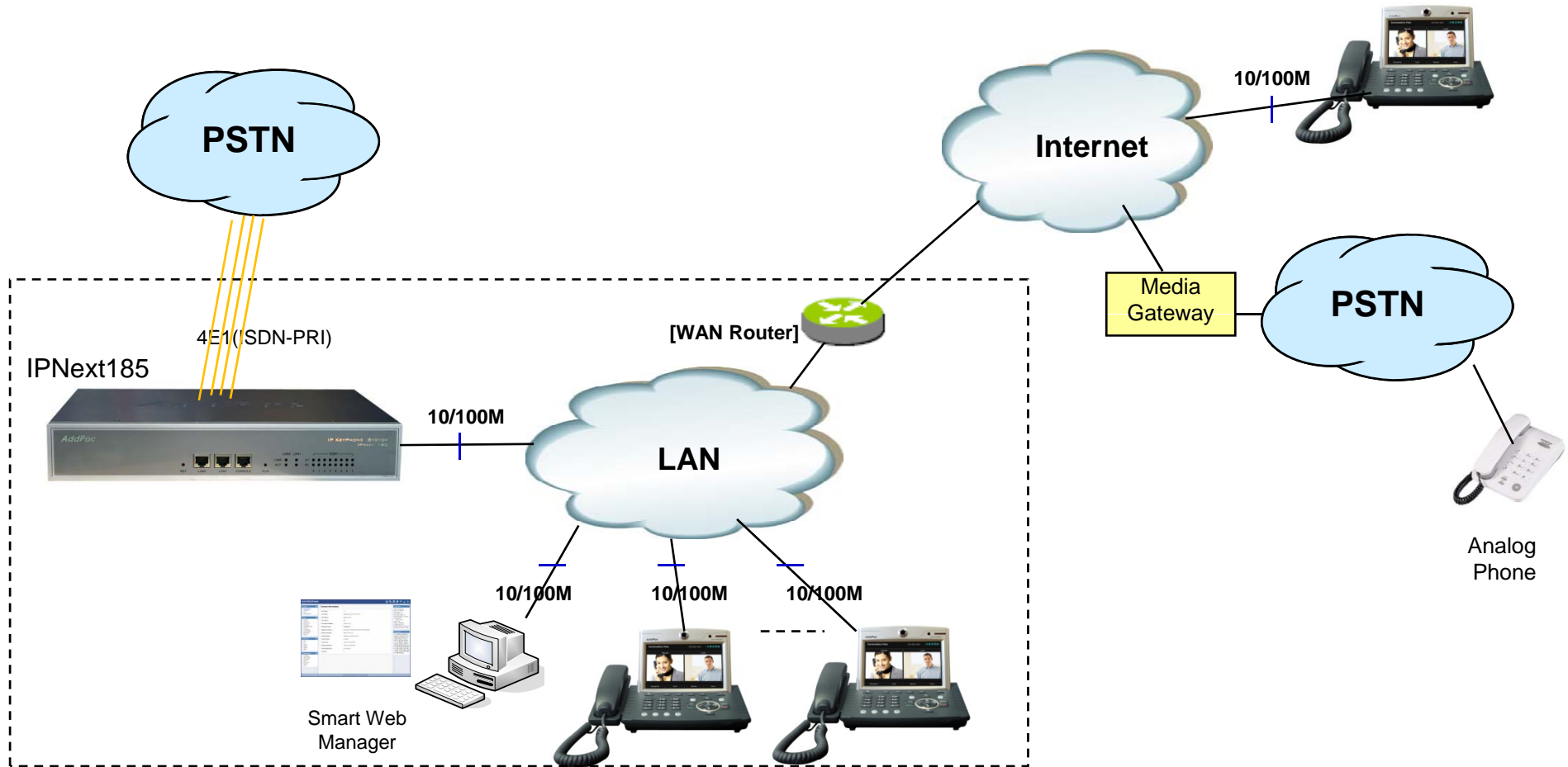


4-Port Digital E1/T1 Configuration

IPNext185 VoIP Service Diagram



Network Service Diagram



Hybrid IP-PBX Series

Thank you!

AddPac Technology Co., Ltd.
Sales and Marketing

Phone +82.2.568.3848 (KOREA)

FAX +82.2.568.3847 (KOREA)

E-mail sales@addpac.com