



IPNext 250™

Hybrid IP-PBX System

High-performance Hybrid IP-PBX Solution

H/W Design Concept



AddPac

AddPac Technology

2011, Sales and Marketing

www.addpac.com

Contents

- Product Overview
- Hardware Specification
- VoIP Modules
- AP-N1-FXS8 8-Port FXS Module Block Diagram
- AP-N1-FXO8 8-Port FXO Module Block Diagram
- 64-Port FXS + 16-Port FXO Service Configuration
- 72-Port FXS + Digital E1/T1 Service Configuration
- 64-Port FXS + 16-Port FXO Service Network Diagram

Product Overview

- IP based Advanced Hybrid IP-PBX Solution
- IPv4/IPv6 Multimedia Telephony Solution for Small & Medium Office
- PSTN Interface (FXO, FXS, Digital E1/T1) Support
- Powerful Management and User Friendly Features
- Fault Tolerant and Scalability Architecture
- High-performance Video, Audio, and Voice Service
- Firmware Upgradeable Architecture
- IVR Service with Scenario Editor
- Voice Mailing Service
- Presence Service for High-End IP Key Phone, UC
- RTP Proxy Service for Private IP service
- SIP, H.323 Signaling for Outbound Calls
- Various Call Scenario (Call Pickup, Call Park, Call Transfer, etc)
- Various IP Terminal Support

Hardware Specification

RISC
CPU

High-end
DSP

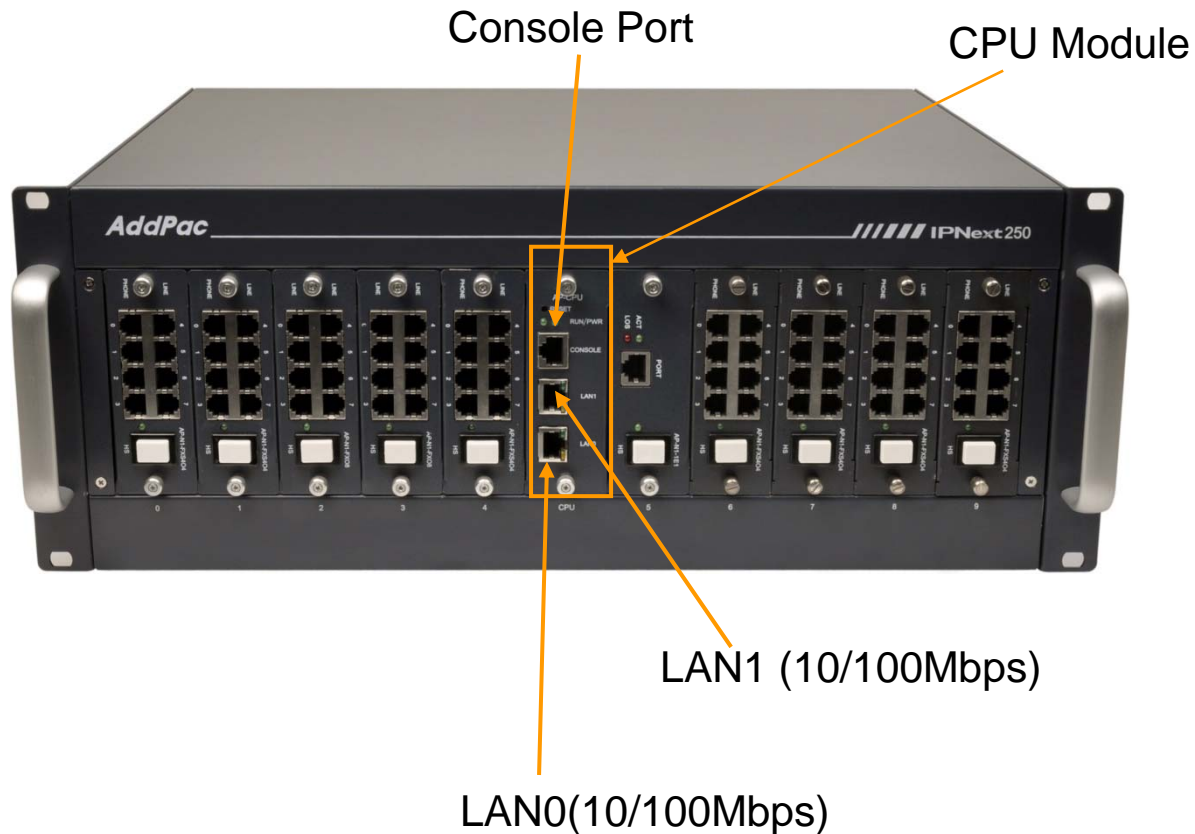
- RISC Microprocessor Computing Power
- Module Type CPU Board
- Ten(10) Module Slot for Analog, Digital VoIP Interface
- VoIP Interface Module (Hot-Swap)
 - 8-Port FXS Module (AP-N1-FXS8)
 - 8-Port FXO Module (AP-N1-FXO8)
 - Digital E1/T1 Module (AP-N1-E1)
- Network Interface
 - Two(2) 10/100Mbps Fast Ethernet (RJ45)
- RS232C Console Interface for CLI
- Run LED, LAN LED, Port LEDs
- Module Type Dual Redundancy Power Supply

Hardware Specification

RISC
CPU

High-end
DSP

IPNext 250 Front Side



Hardware Specification

RISC
CPU

High-end
DSP

IPNext 250 Back Side



VoIP Modules

RISC
CPU

High-end
DSP

VoIP Modules

AP-N1-FXS8 8-Port FXS Module



AP-N1-FXO8 8-Port FXO Module



AP-N1-FXS4O4 4-Port FXS&4-Port FXO Module



AP-N1-E1 1-Port Digital E1/T1 Module



AP-N1-2E1 2-Port Digital E1/T1 Module

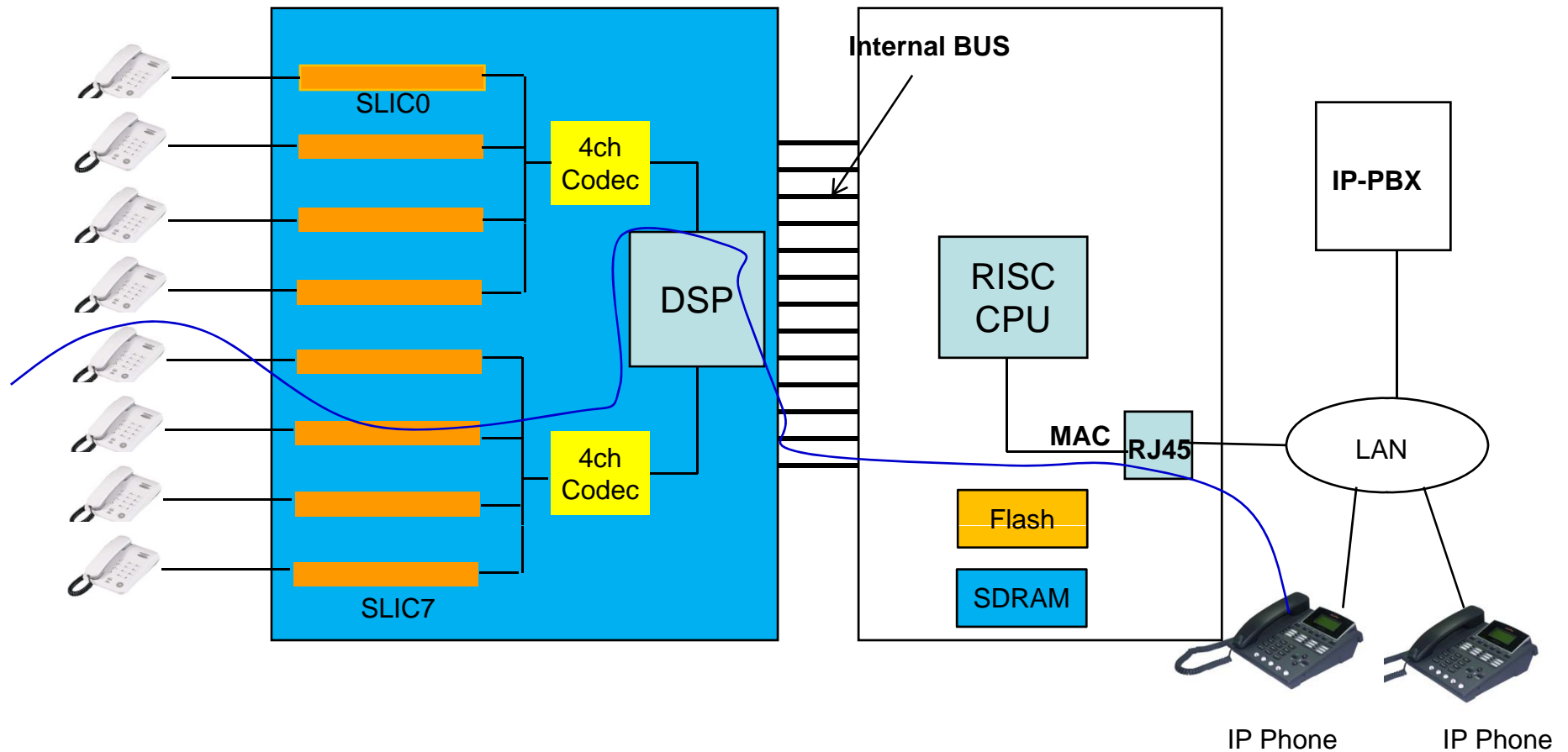


AP-N1-FXS8 H/W Block Diagram

RISC
CPU

High-end
DSP

IPNext250 VoIP Service Diagram
AP-N1-FXS8 8-Port FXS Internal H/W Block Diagram

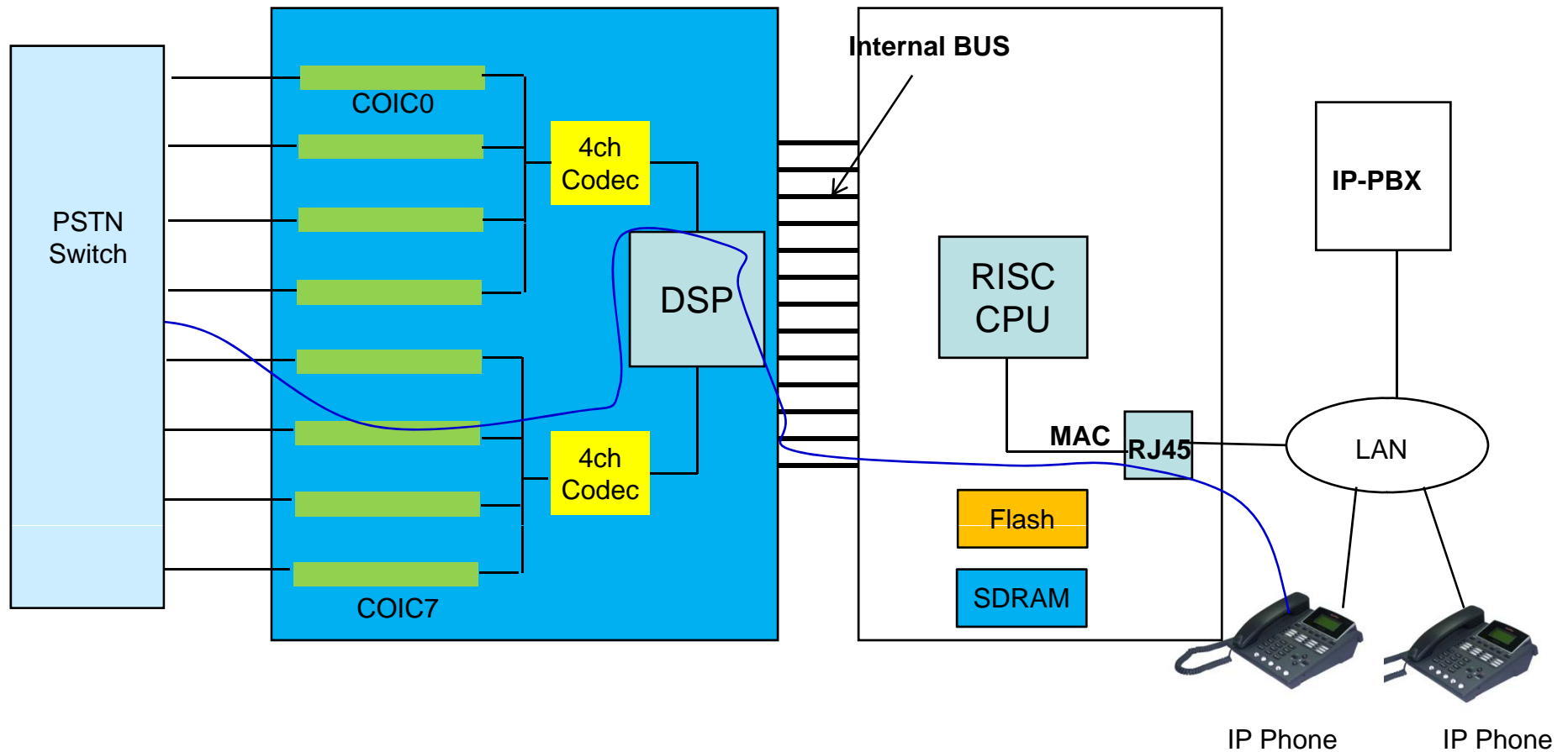


AP-N1-FXO8 H/W Block Diagram

RISC
CPU

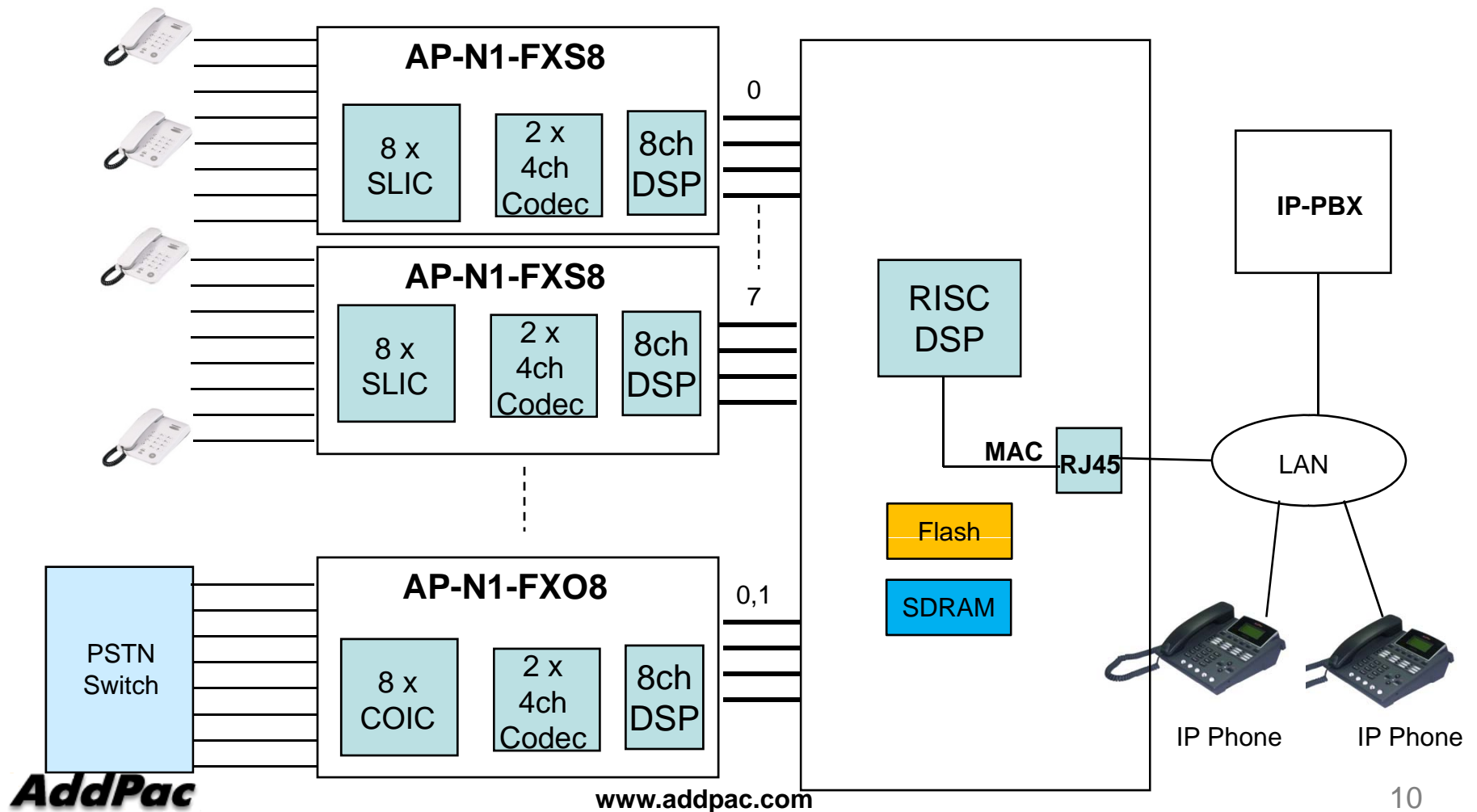
High-end
DSP

IPNext250 VoIP Service Diagram
AP-N1-FXS8 8-Port FXS Internal H/W Block Diagram



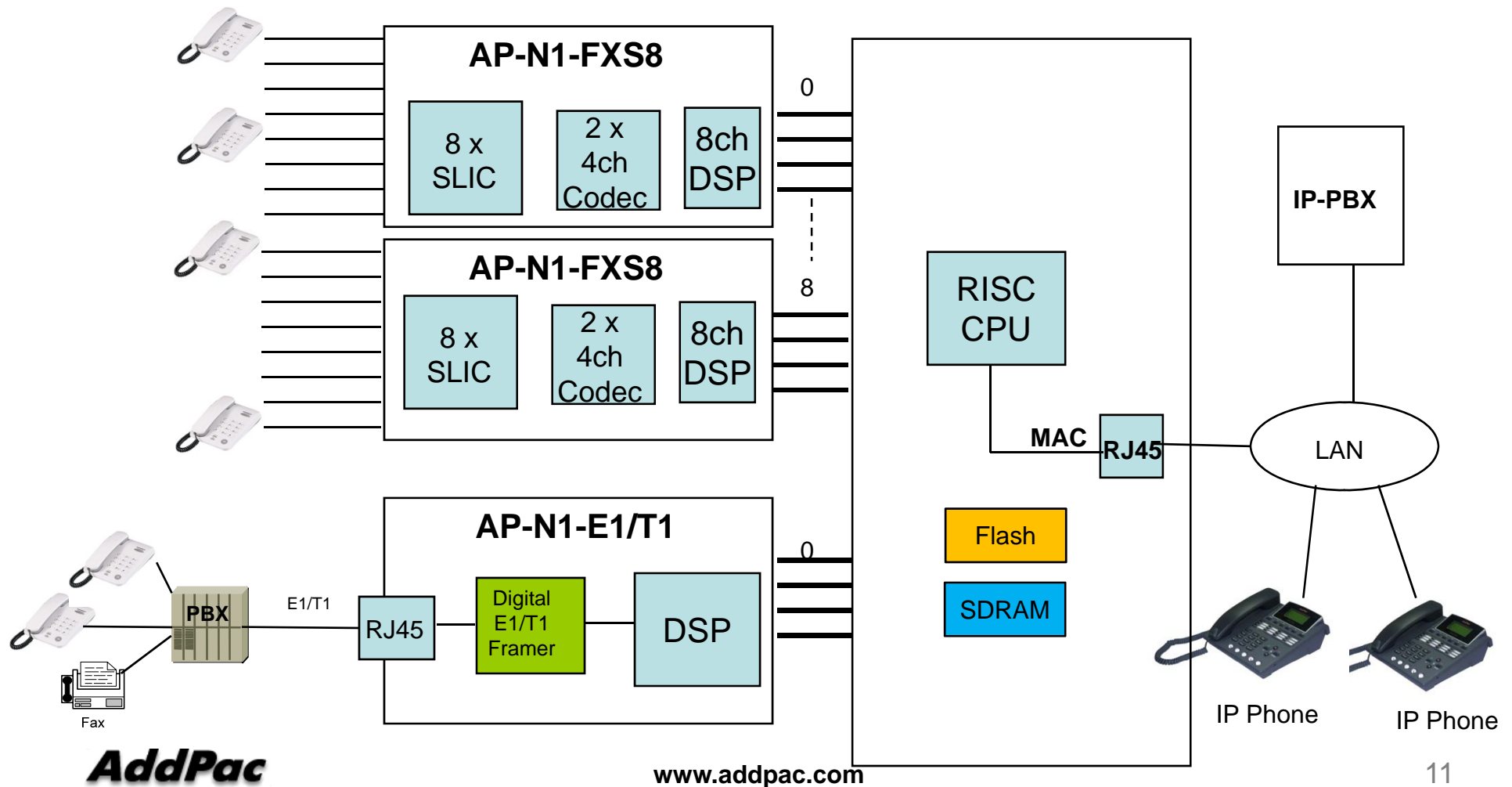
64-Port FXS + 16-Port FXO Configuration

IPNext250 VoIP Service Diagram

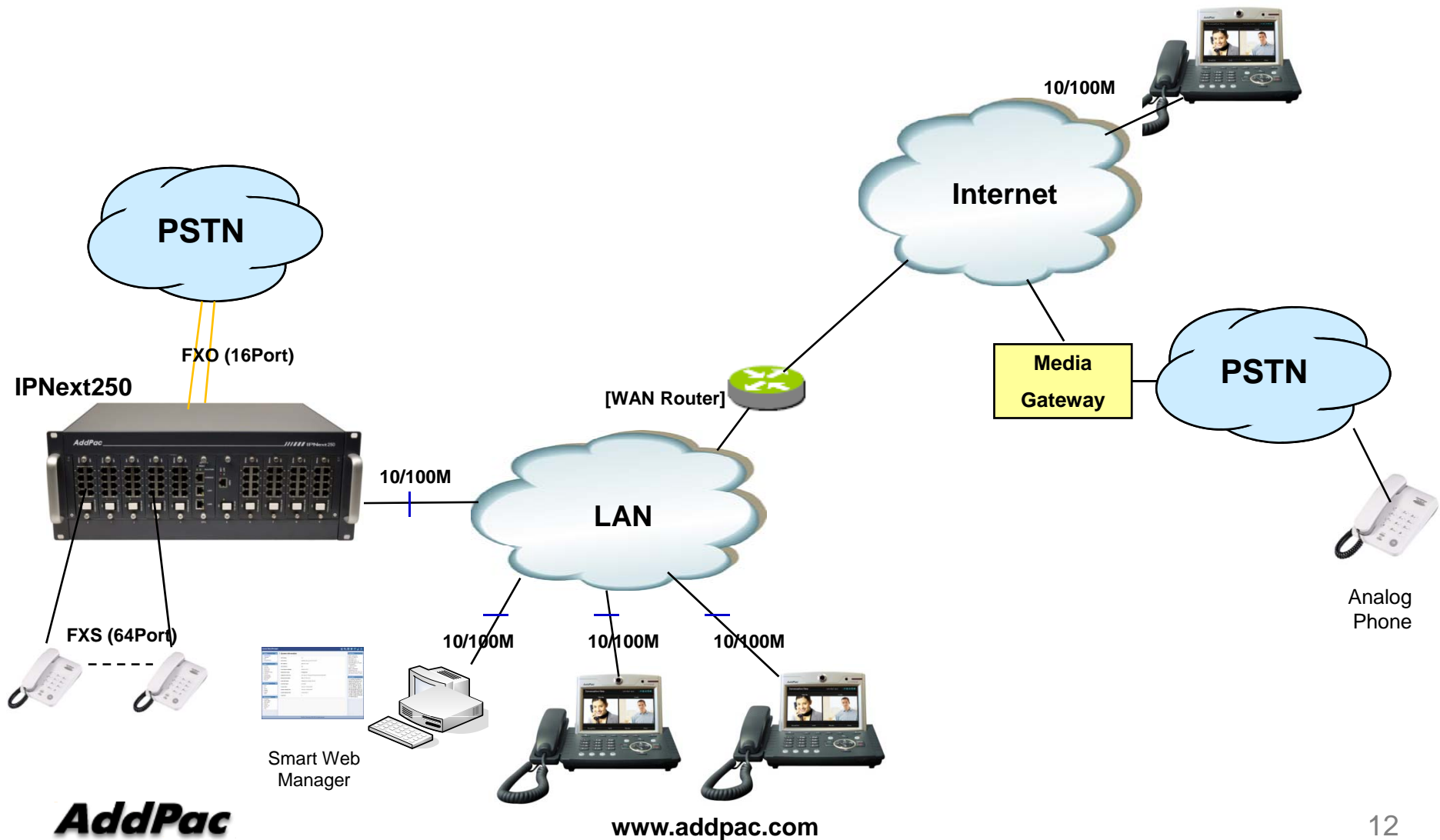


72-Port FXS + Digital E1/T1 Configuration

IPNext250 VoIP Service Diagram



Network Service Diagram



Hybrid IP-PBX Series

Thank you!

AddPac Technology Co., Ltd.
Sales and Marketing

Phone +82.2.568.3848 (KOREA)

FAX +82.2.568.3847 (KOREA)

E-mail sales@addpac.com