

# AP-GS1001™

## 1-Port FXS GSM Gateway

High Performance GSM Gateway Solution

### Design Concept



## **AddPac**

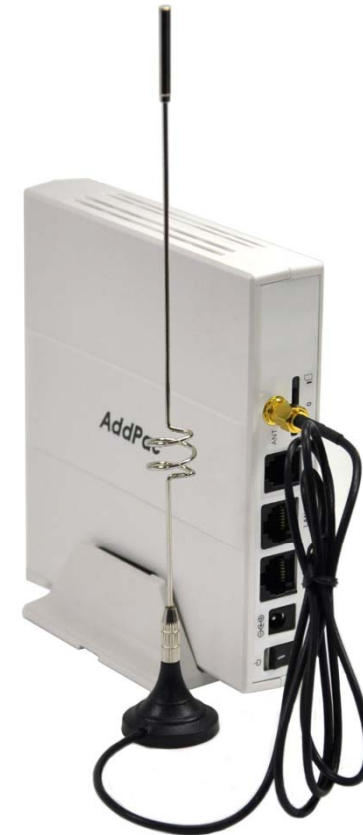
**AddPac Technology**

2011, Sales and Marketing

[www.addpac.com](http://www.addpac.com)

# Contents

- Hardware Specification
- Hardware Block Diagram for GSM VoIP Service
- Internal Hardware Block Diagram



# Hardware Specification

AP-GS1001 1-Port FXS GSM Gateway

RISC  
CPU

High-end  
DSP

- RISC Microprocessor + DSP Computing Power
- 1-Port GSM Gateway
- 1-Port SIM Card Slot
- 1-Port GSM Antenna Interface
- VoIP Gateway Interface
  - AP-GS1001 Model A: Basic Configuration
  - AP-GS1001 Model B: One(1) FXS Port
- Network Interface for VoIP Direct Interface
  - Two(2) 10/100Mbps Fast Ethernet (RJ45)
- Run LED, LAN LED, Port LEDs
- External Power Supply

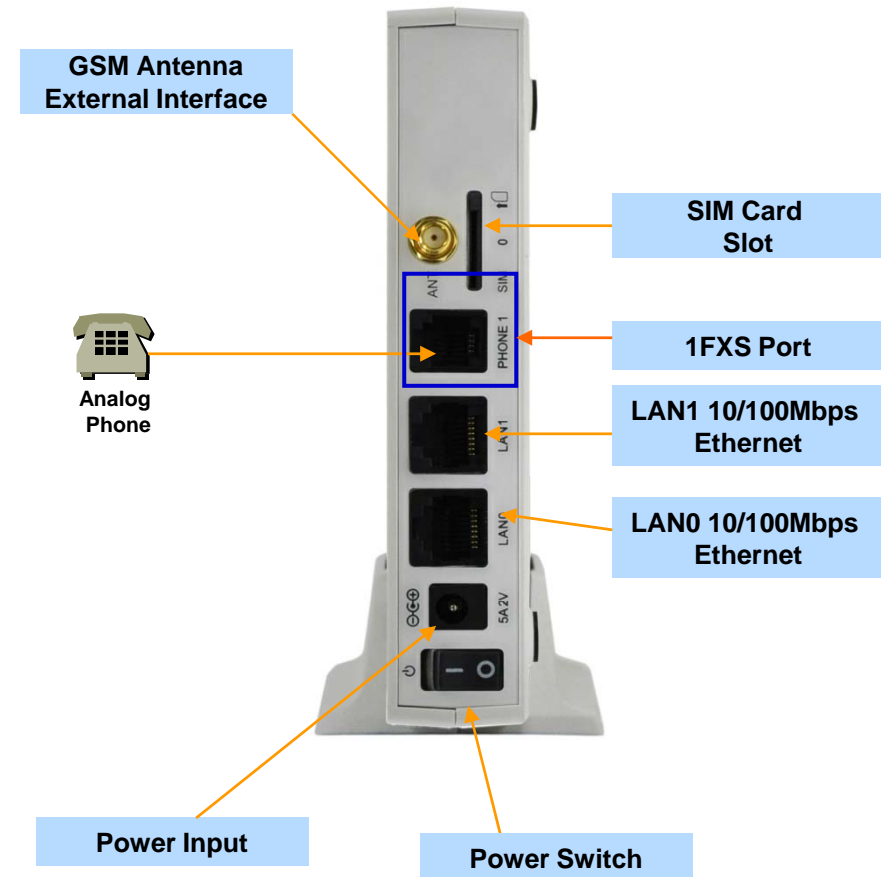
# Hardware Specification

## AP-GS1001 1-Port FXS GSM Gateway

### Hardware Specifications

AP-GS1001 GSM Gateway	Basic Specifications
Voice Interface	No FXS Port : Model A
	One(1)-Port FXS Analog Interface : Model B
GSM Antenna Interface	External GSM Antenna
SIM Card Slot Interface	GSM SIM Card Slot
Ethernet Interface	2-Ports 10/100Mbps Ethernet Interface(RJ-45)
Flash Memory	4Mbyte High-speed Flash Memory
Base Memory	32 Mbyte High-speed SDRAM
Power Requirement	Power Supply Adaptor / VAC 110~220V, 50/60Hz, 5V, 2A
Operating Temperature	0°C ~ 45°C (32 °F ~ 122°F)
Storage Temperature	-40°C ~ 85°C (-40°C ~ 185°F)
Relative Humidity	5% ~ 95% (Non-condensing)
Dimension	142mm x 142mm x 28mm (W x D x H)
Weight (Kg)	0.42Kg

### Network interface Configurations

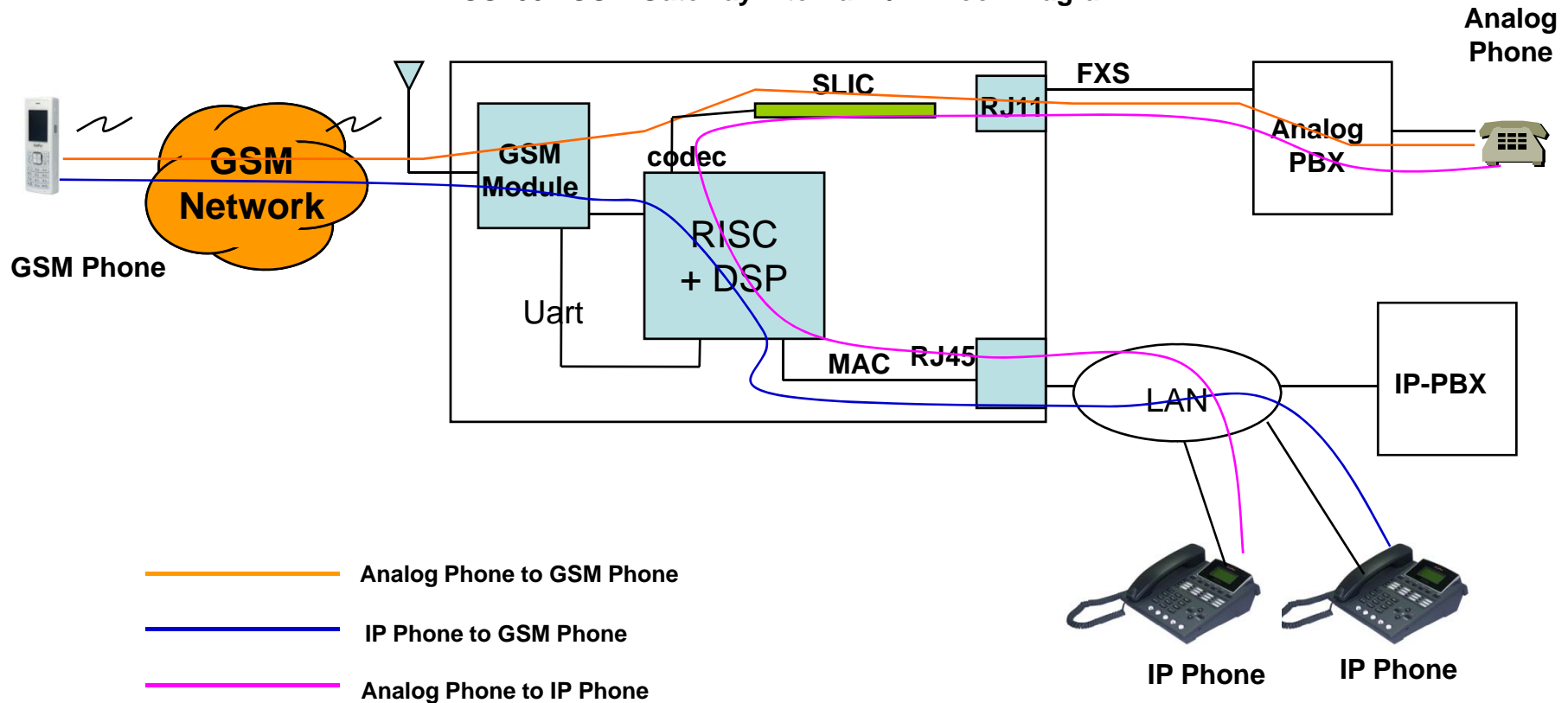


# Hardware Block Diagram for GSM VoIP Service

AP-GS1001 1-Port FXS GSM Gateway

## GSM Gateway Service Diagram

AP-GS1001 GSM Gateway Internal H/W Block Diagram

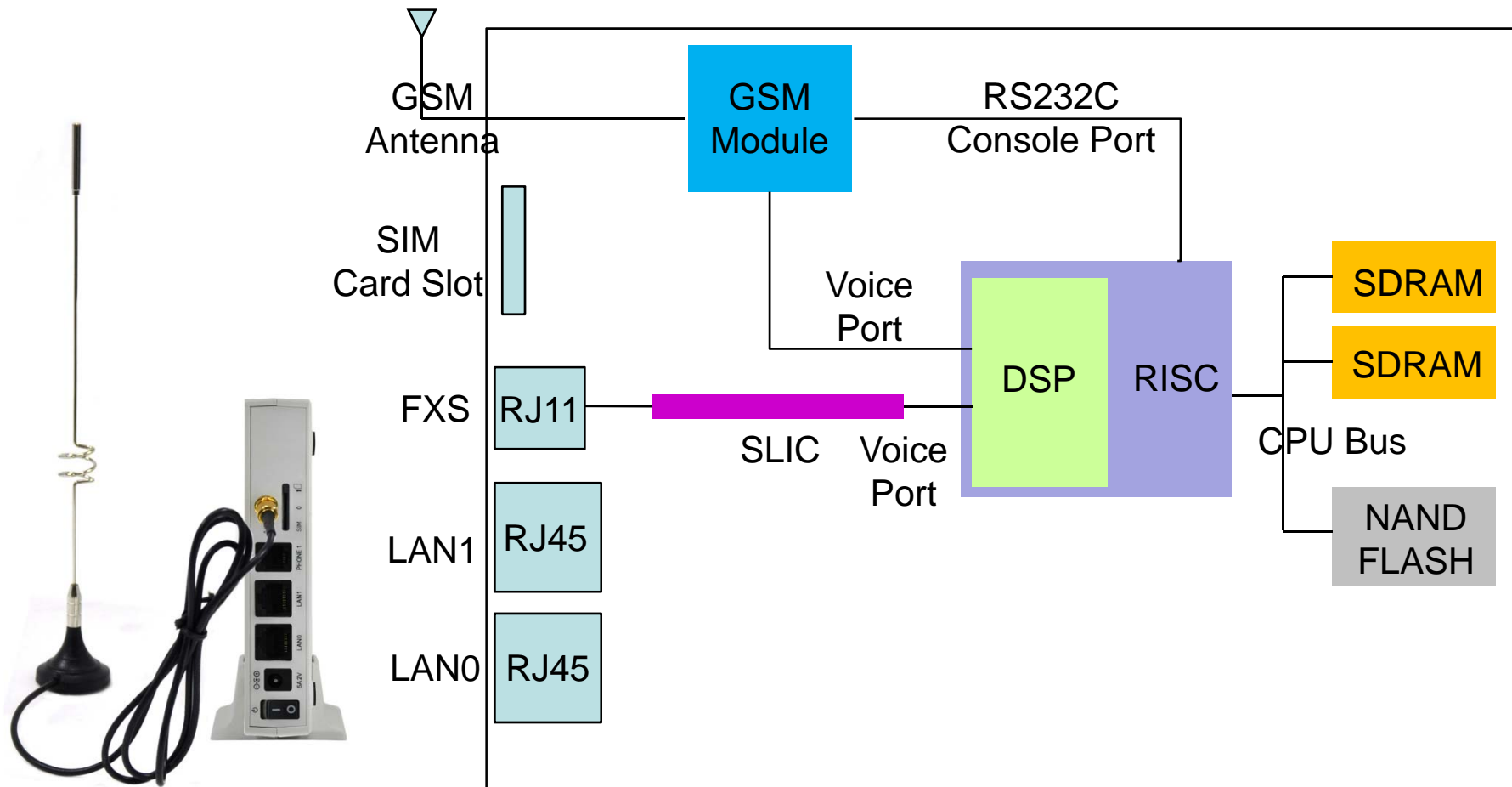


# Hardware Internal Block Diagram

AP-GS1001 1-Port FXS GSM Gateway

RISC  
CPU

High-end  
DSP



**AddPac**

# GSM Gateway Series

# Thank you!

**AddPac Technology Co., Ltd.**  
Sales and Marketing

Phone +82.2.568.3848 (KOREA)

FAX +82.2.568.3847 (KOREA)

E-mail [sales@addpac.com](mailto:sales@addpac.com)