



# AP6500 (128 Port) Large Scale VoIP Gateway

High Performance VoIP Gateway Solution

32-Port FXS Module(MGSA)  
Features



**AddPac**

**AddPac Technology**

Sales and Marketing

# Contents

- Product Overview
- Hardware Specification
- System Block Diagram
- 32-Port FXS Module(MGSA) Block Diagram
- MGSA Module Service Features



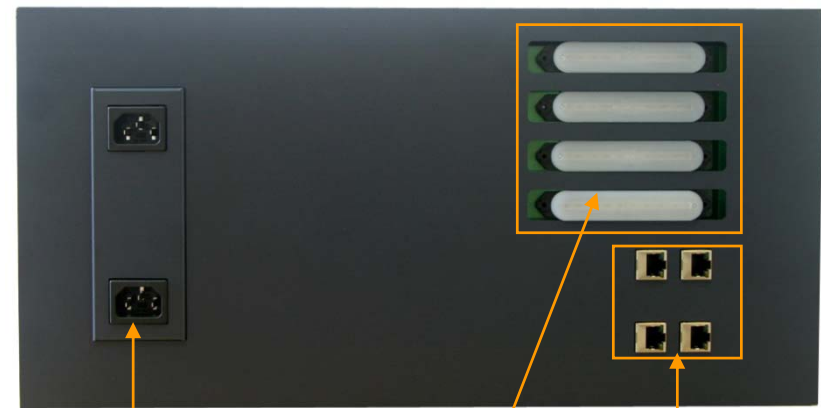
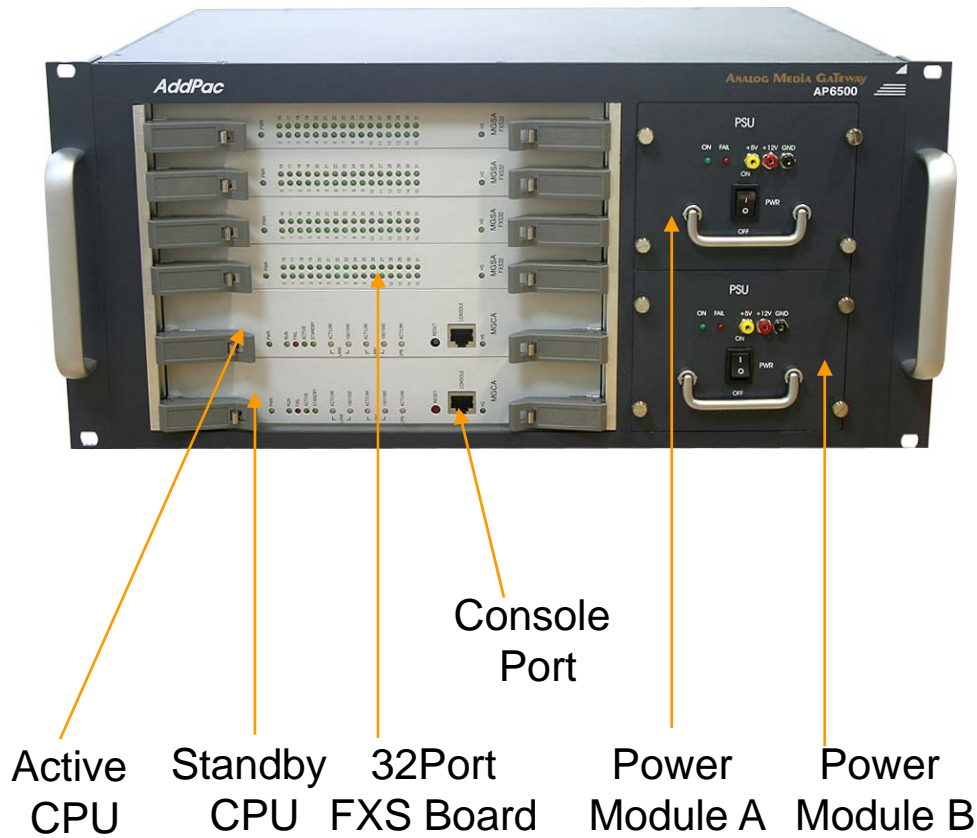
# Product Overview

## AP6500 Large Scale VoIP Gateway

- H.323/SIP Concurrent VoIP Stack Embedded
- High Performance RISC Processor
- Dual Power Redundancy selectable at ordering
- Hot-Swap Function Support
- Up to 128 Analog Interface Port (32Port Board x 4 Ea) Support
- Two(2) 10/100/1000Mbps Giga-Bit Ethernet Interface
- G.711/G.726/G.723/G.729, T.38 Fax , VAD, etc
- Powerful Network Protocols (PPPoE, DHCP, Static Routing, etc)
- Firmware Upgradeable Architecture
- VPMS (VoIP Plug&Play Management System) for Large Scale Deployment
- Advanced Voice QoS Mechanism

# Hardware Specification

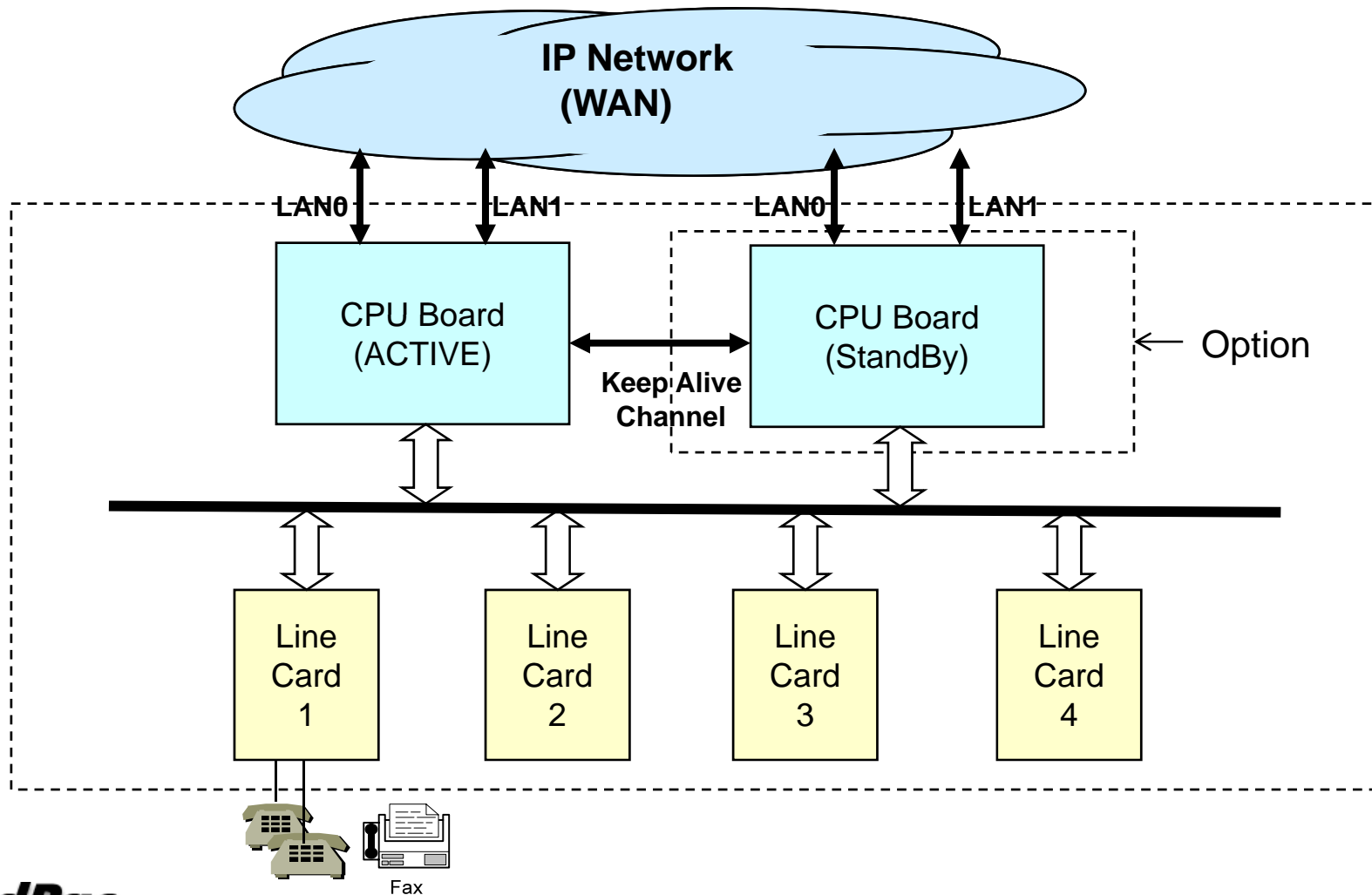
## AP6500 Large Scale VoIP Gateway



# System Block Diagram

AP6500 Large Scale VoIP Gateway

## AP6500 System Block Diagram



# 32-Port FXS Module (MGSA) Block Diagram

AP6500 Large Scale VoIP Gateway

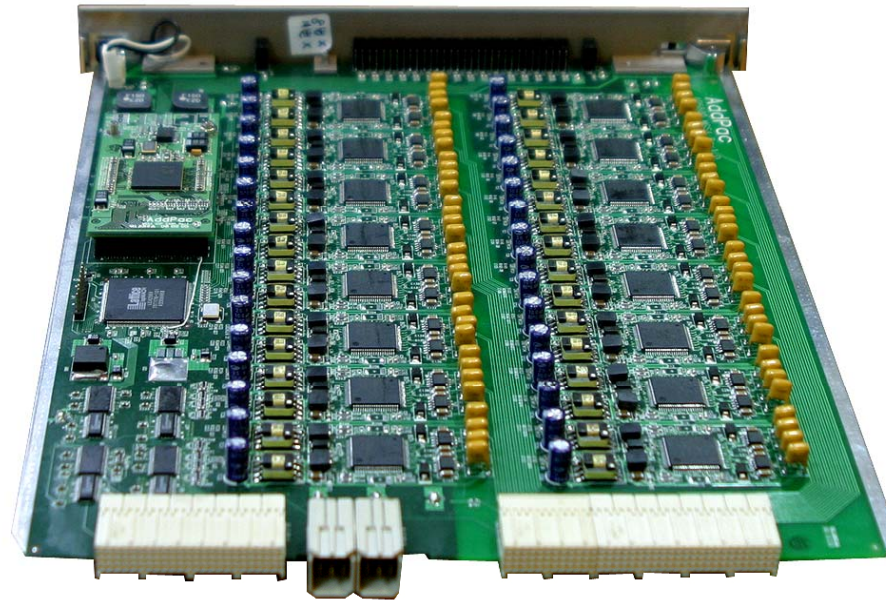
MGSA : Media Gateway Subscriber Assembly



# 32-Port FXS Module (MGSA) Block Diagram

AP6500 Large Scale VoIP Gateway

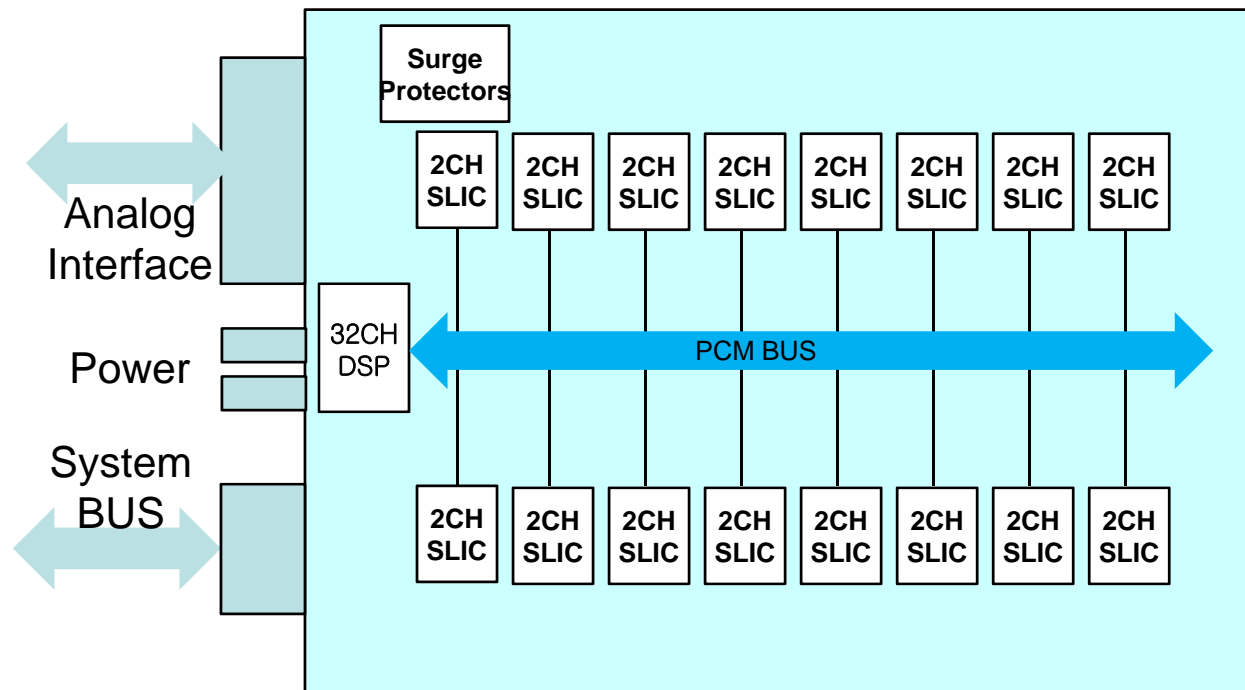
MGSA : Media Gateway Subscriber Assembly



# 32-Port FXS Module (MGSA) Block Diagram

AP6500 Large Scale VoIP Gateway

MGSA : Media Gateway Subscriber Assembly





# MGSA Module Service Features

## AP6500 Large Scale VoIP Gateway

- Long Reachable Distance for NGN Service
- SLIC Ringing
  - 5REN with pin for pin compatible 150V SLIC Device
  - Up to 140-Vpk Internal balanced sinusoidal or trapezoidal ringing with Programmable offset
  - Unbalanced ringing for PBX trunk compatibility
- SLIC Programmability
  - Ringing Frequency, Voltage and Current Limit
  - Two-wire AC impedance, Balance Impedance, Gain
  - DC feed Voltage and Current Limit
  - Unbalanced ringing for PBX trunk compatibility
- Powerful Surge Protection ( more than 1.5Kv)
- Universal Caller ID
- DSP based G.711, G.729, G.723.1, etc High Quality Voice Codec
- Voice QoS (Delay, Jitter, etc ) Support for end-to-end Voice Quality

# VoIP Gateway Series

# Thank you!

**AddPac Technology Co., Ltd.**  
Sales and Marketing

Phone +82.2.568.3848 (KOREA)

FAX +82.2.568.3847 (KOREA)

E-mail [sales@addpac.com](mailto:sales@addpac.com)