

AP-PSB1000

IP based Power Switch Box

High Performance IP Power Switch Box Solution

Private IP Function Overview



AddPac

AddPac Technology

Sales and Marketing

www.addpac.com

Contents

- Product Overview
- Hardware Specification
- Private IP Service Network Diagram
- Private IP Service Overview
- Private IP Service Operation
- Smart Web Manager Configuration for Private IP Service



Product Overview

- IP based Remote Power ON/OFF Controller
- LED Light On/Off Control for CCTV Camera at Night Time
- Remote CCTV Backlight Control Solution for Unmanned Security Zone
- Remote AMP. Power Control
- AddPac Integrated Security Management System Solution
- Power Control Port
 - One(1) AC Power Input
 - One(1) AC Power Output (Manual Power On/Off Switch)
- Network Interface
 - One(1) 10/100Mbps Fast Ethernet Interface
 - One(1) RS232C Interface
- Firmware Upgradeable Architecture(FTP, TFTP)
- Smart Web Manager Support

Hardware Specification

A square logo with a dark blue background and a white border. The text "RISC" is positioned above "CPU" in a white, sans-serif font.

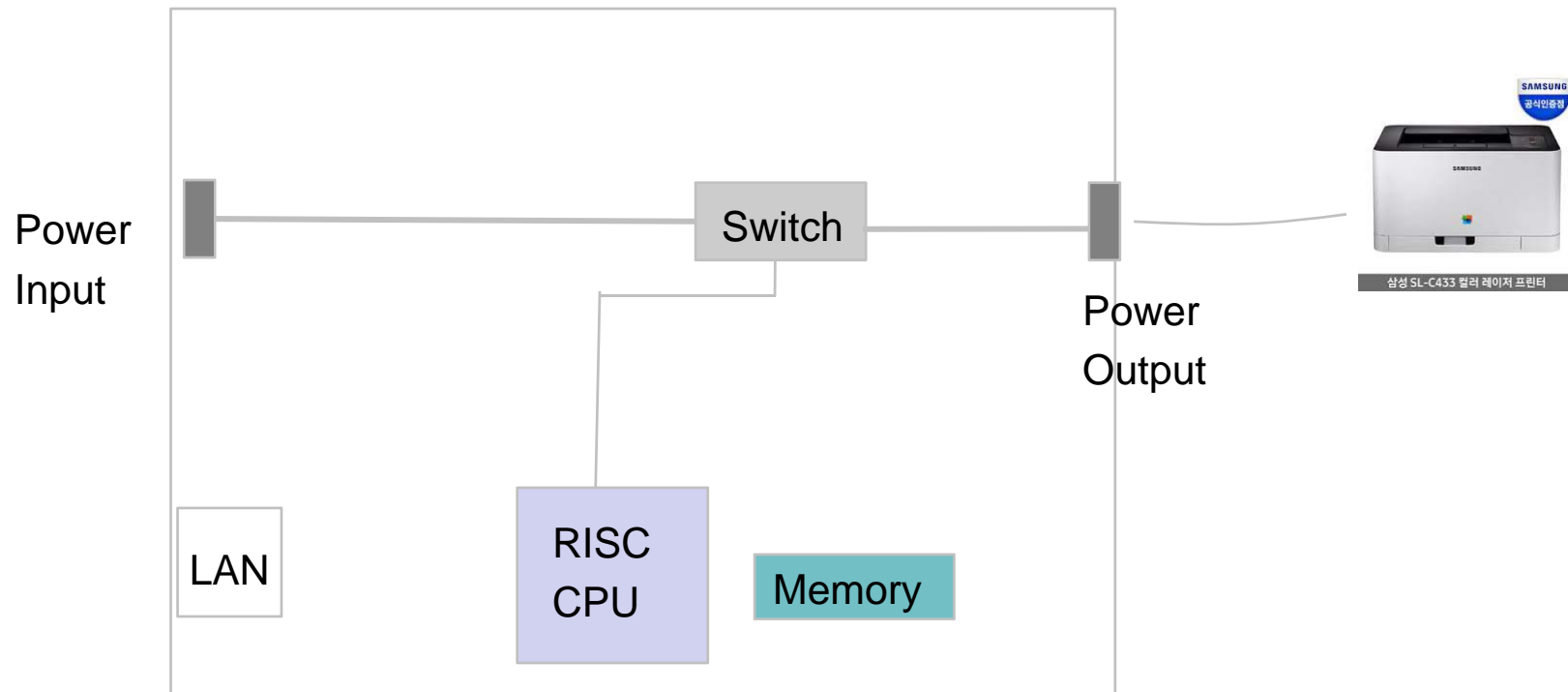
RISC
CPU

- RISC Microprocessor Computing Power
- Status LED Support
- Power Control Interface
 - One(1) AC Input
 - One(1) AC Output
- Network Interface
 - One(1) 10/100Mbps Fast Ethernet (RJ45)
 - One(1) RS-232C Interface (RJ45)

Hardware Specification

RISC
CPU

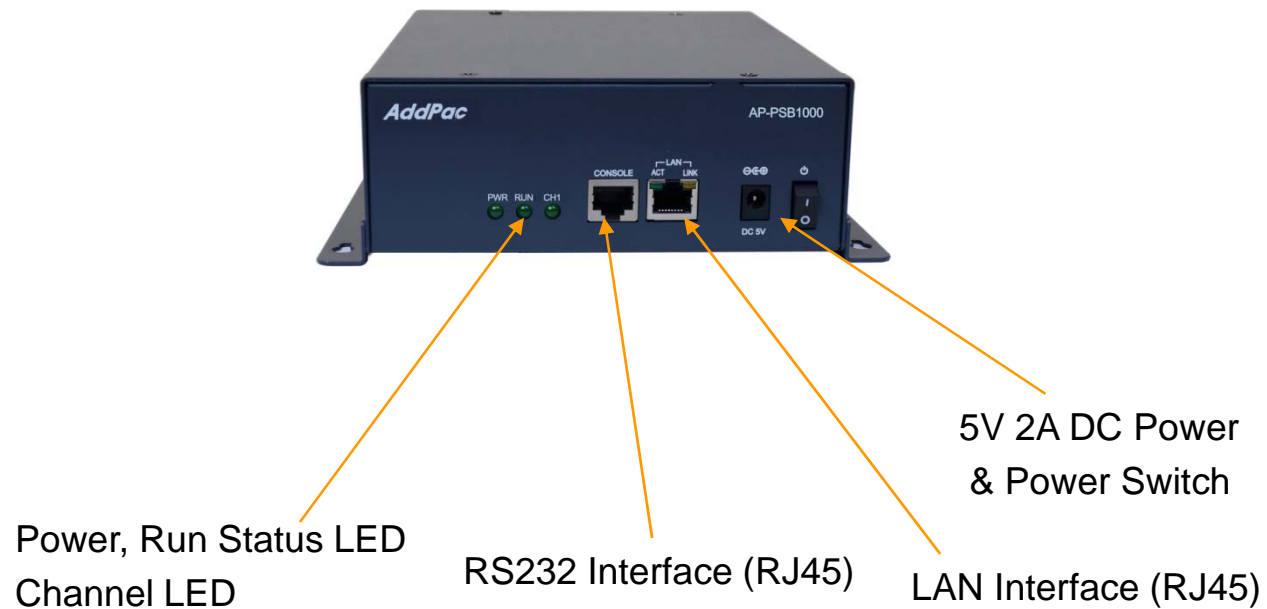
Hardware Block Diagram



Hardware Specification

RISC
CPU

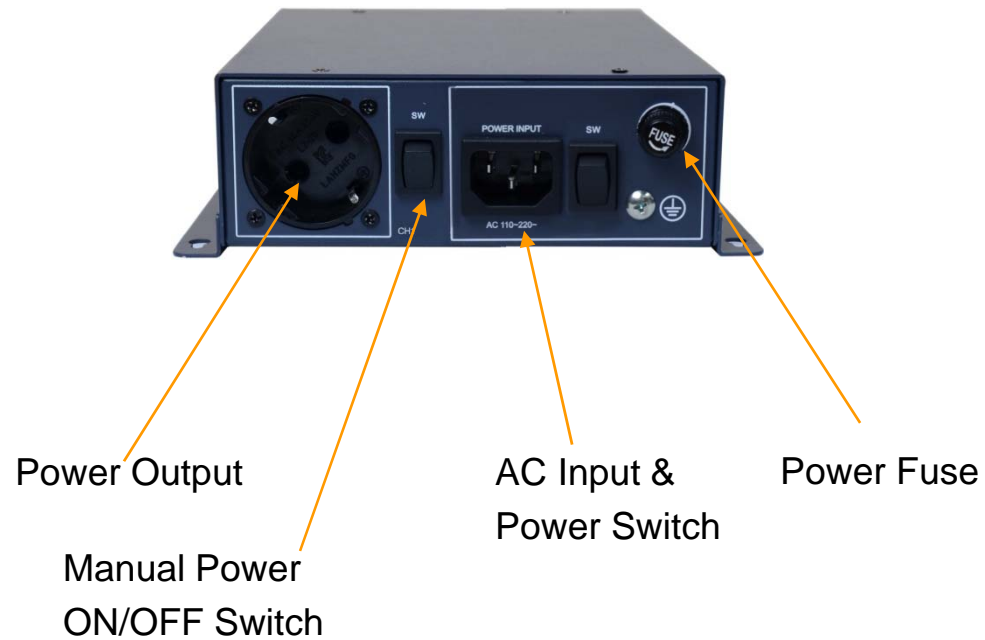
Front Side



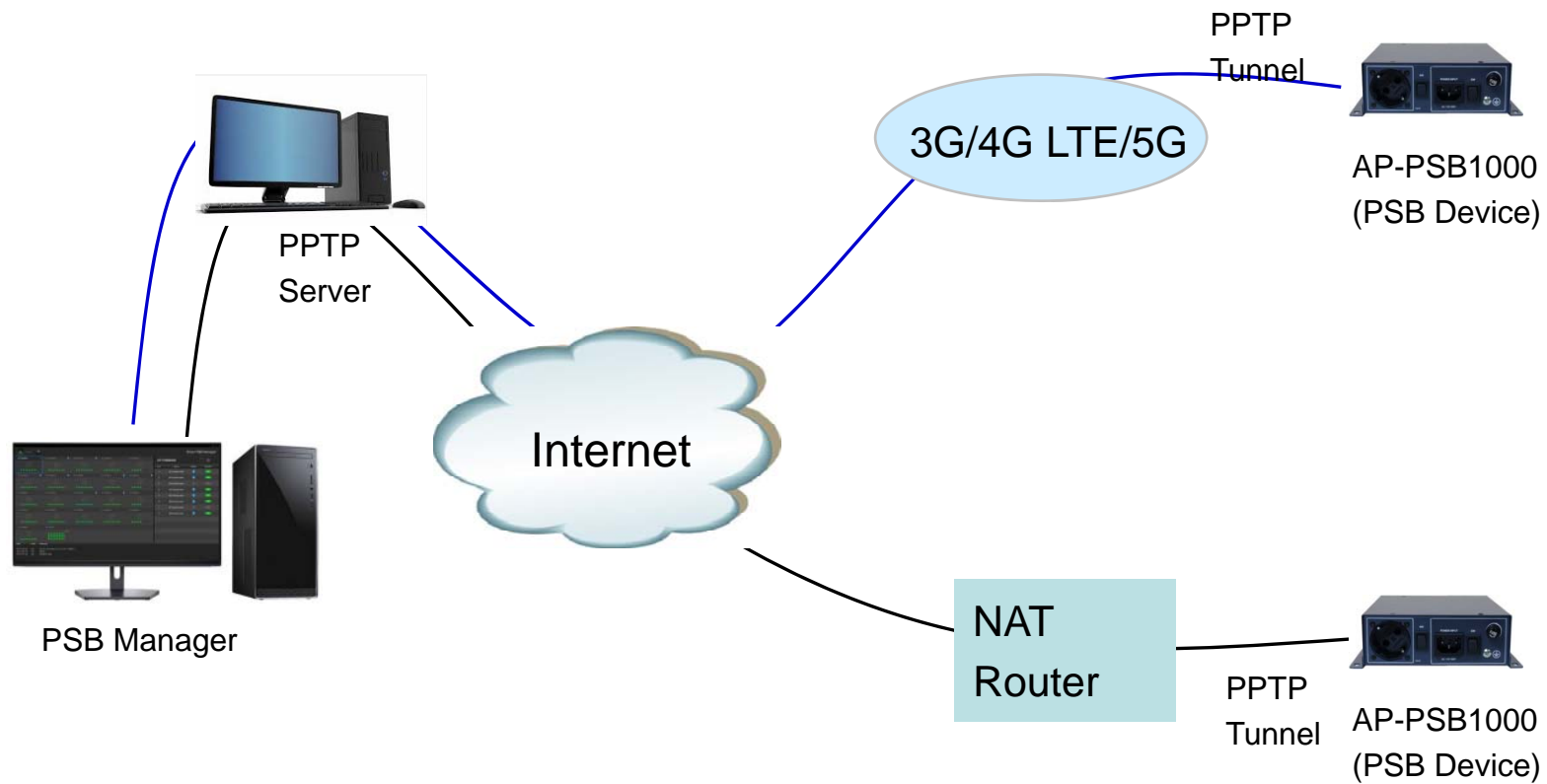
Hardware Specification

RISC
CPU

Rear Side



Network Diagram



Private IP Service Overview

- PSB Device is located at
 - Located at Mobile Network (3G, 4G, 5G)
 - Located at the behind of the NAT router
- PSB Manager is
 - Located at Public Network (has Public IP Address)
 - Support PPTP Server or
 - Access PSB Device through external PPTP server

Private IP Service Operation

- PSB Device
 - Has PPTP Client Function
 - Set fixed Tunneling IP Address
- PSB Manager
 - Add Device using PPTP Tunneling IP Address
 - Set up routing for PPTP client access
 - Send/Recv Packet through PPTP server

Private IP Service Configuration Example (1/2)

Tunnel Setup

Tunnel Mode

None (Disable Tunneling, default)
 PPTP (Point-to-Point Tunneling Protocol)

Authentication Method

No Authentication
 PAP (PPP Authentication Protocol)
 CHAP (Challenge Handshake Authentication Protocol)
 MS-CHAP (Microsoft Chap)
 MS-CHAP-v2 (Microsoft Chap Version 2)

Username

Password

PPP Server Authentication (for MPPE, use MS-CHAP-V2)

Private IP Service Configuration Example (2/2)

The screenshot shows a configuration window for a Private IP Service. It includes sections for MPPE encryption, DNS settings, source interface, server address, and optional local address. Callout boxes highlight specific configurations: 'Enable MPPE Encryption' points to the 'Auto Encryption' radio button; 'Request DNS Server Address' points to the 'On (Request)' radio button; 'PPTP Server IP address' points to the 'Server Address' field containing '172.16.1.201'; and 'Use Fixed Tunneling Address & Network Mask (Optional)' points to the 'Local Address(optional)' section with empty input fields for IP Address and Network Mask. An 'Apply' button is at the bottom left.

MPPE(ms-chap-v2 only)

- No Encryption
- Auto Encryption
- 40-bit encryption
- 56-bit encryption
- 128-bit encryption

DNS

- On (Request)
- Off (No Request)

Source Interface FastEthernet0/0

Server Address 172.16.1.201 (A.B.C.D), Tunnel End Point Address

Local Address(optional)

IP Address (A.B.C.D)

Network Mask (A.B.C.D)

Apply

Enable MPPE Encryption

Request DNS Server Address

PPTP Server IP address

Use Fixed Tunneling Address & Network Mask (Optional)



Thank you!

AddPac Technology Co., Ltd.
Sales and Marketing

Phone +82.2.568.3848 (KOREA)

FAX +82.2.568.3847 (KOREA)

E-mail sales@addpac.com