

# AV6000NSE

Full HD Video Encoder Module  
High-performance Network HD CCTV Solution

Full HD Subtitle Generator +  
H.264 Full HD Video Encoder



**AddPac**

**AddPac Technology**

Sales and Marketing

[www.addpac.com](http://www.addpac.com)

# Contents

- Product Overview
- Hardware Specification
- Software Service
- Concurrent Triple Bit-Stream Matrix
- RTSP Service Network Diagram
- RTSP Service Features
- Video Codec Service Features
- Subtitle Generator Service
- Subtitle Generator Manager Feature
- Network Service and Features
- Ordering Information

# Product Overview

## AV6000NSE Full HD Video Encoder Module

- Full HD (1080p) Video Encoding Service Features
- Video Codec : H.264 HP/MP/BP AVC Video Codec
- Video Input Interface : HDMI, HD-SDI, Analog (NTSC, PAL)
- Dual Bit Streaming Support
- Full HD Subtitle Generator Service Support
- RTSP/RTP, TCP/UDP Protocol Support
- IP based Network Surveillance Solution
- High-performance Video, Audio, and Voice Service
- Firmware Upgradeable Architecture
- Video Solution with Outstanding Network Service Capability
- Web based Management Service
- AP-NC2000D, AP-NC2000, AP-NC3000, AP-NC5000 Platform Available

# Hardware Specification

## AV6000NSE Full HD Video Encoder Module

RISC  
CPU

High-End  
VP

- **RISC + Video Processor Computing Power**
- **AV6000NSE Video Module**
  - **Network Interface**
    - One(1) 10/100/1000Mbps Gigabit Ethernet
  - **Video Interface**
    - One(1) Channel HD-SDI Input
    - One(1) Channel HDMI Input
    - One(1) Channel CVBS Input or Output (selected by DIP Switch)
  - **One(1) RS-232 Console Interface (RJ45)**
  - **Camera Control Interface**
    - One(1) RS-232C, RS422, RS485 Interface for External Camera Control
  - **I/O Interface**
    - Two(2) Alarm Input /One(1) Relay Out

# Hardware Specification

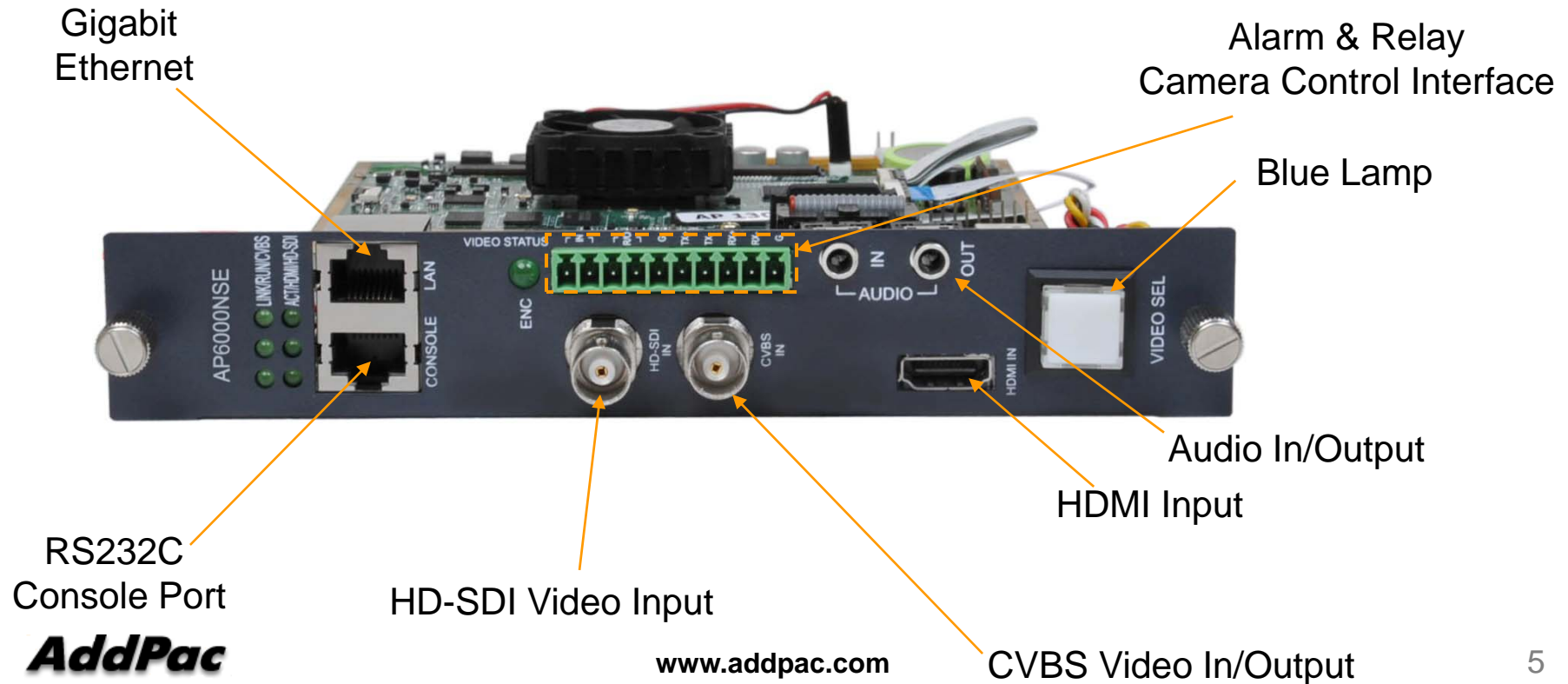
AV6000NSE Full HD Video Encoder Module

RISC  
CPU

High-End  
VP

## Hardware Module Specification

AV6000NSE Full HD Video Encoder Module(H.264)



# Hardware Specification

## AV6000NSE Full HD Video Encoder Module

AP-NC2000 Front View



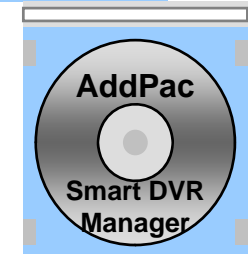
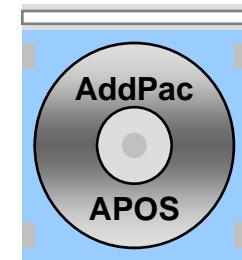
AC Power Supply

Power On/Off Switch

# Software Service

## AV6000NSE Full HD Video Encoder Module

- Built-in AddPac APOS Internetworking Software
  - Scalability, Functionality, and Stability Features
  - Full HD Video Encoding Service Features
- Firmware Upgradeable Architecture
- Industry Standard Network Protocol Features
- Highly User Friendly Management Features
  - Smart DVR Manager
  - Telnet or RS-232C based Command Line Interface



# Concurrent Triple Bit Stream Matrix

AV6000NSE Full HD Video Encoder Module

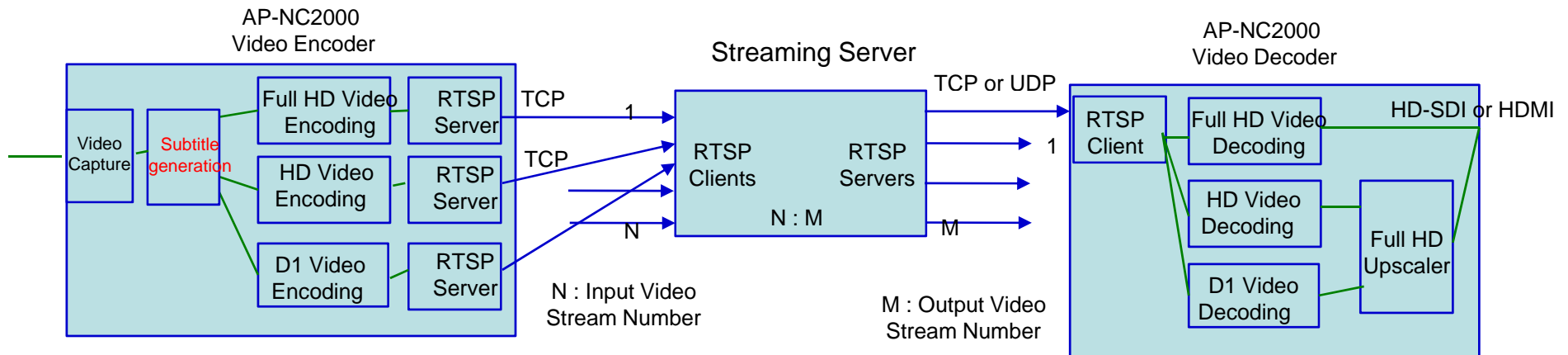
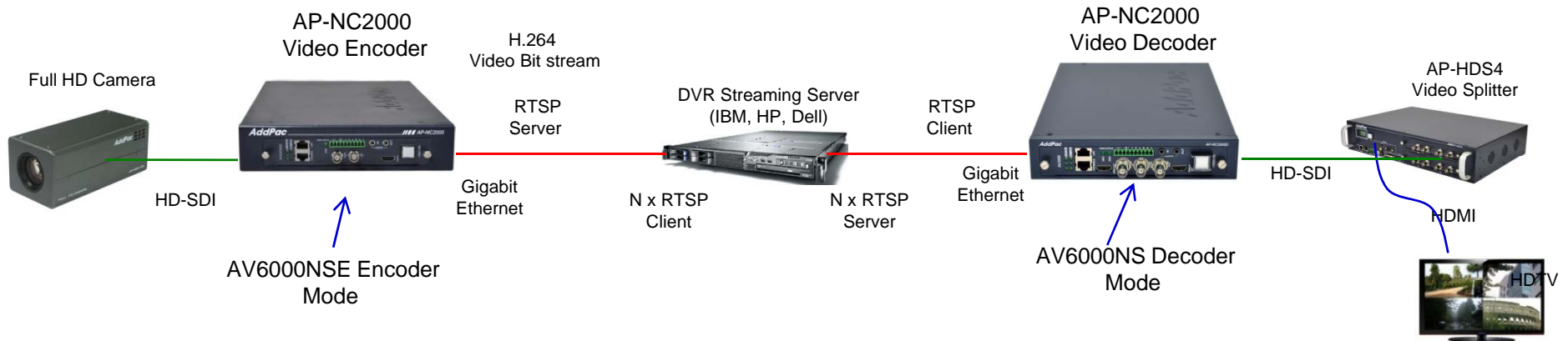
## Triple Video Encoding Bit Stream Matrix

Video Input	Concurrent Video Encoding Bit Stream			
	CIF	D1	HD(720P)	FULL HD (1080P)
Analog Video Input (NSTC/PAL)	Available	Available	N/A	N/A
HD-SDI Video Input (720P)	Option	Available	Available	N/A
HD-SDI Video Input (1080P)	Option	Available	Available	Available



# RTSP Service Network Diagram

## AV6000NSE Full HD Video Encoder Module



Example (N : M = 64 : 128)

# RTSP Service Features

## AV6000NSE Full HD Video Encoder Module

- AV6000NSE Video Encoder Mode
  - RTSP Server Mode
  - Multi-Channel RTSP Server Mode  
(Full HD, HD, D1 Triple Encoding Mode or Dual Full HD, HD, etc)
  - RTSP, TCP Protocol Support for Error Robust Service

# Video Codec Service Features

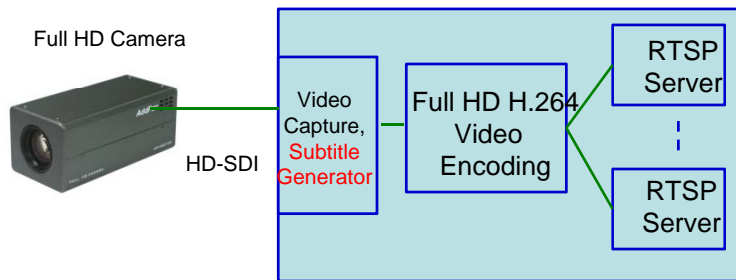
## AV6000NS Full HD Video Encoder Module

- AV6000NS Video Encoder Mode
  - H.264 Full HD(1080p) Single Encoding (HD-SDI Input)
  - H.264 HD(720P) Single Encoding (HD-SDI Input)
  - H.264 D1(720x480) Single Encoding(Analog Input, HD-SDI Input 720P)
  - H.264 Full HD, HD Dual Encoding(HD-SDI Input)
  - **H.264 Full HD, HD, D1 Triple Encoding (HD-SDI Input)**
  - H.264 Full HD, D1 Dual Encoding (HD-SDI Input)
  - H.264 HD, D1 Dual Encoding (HD-SDI Input)

# Video Codec Service Features

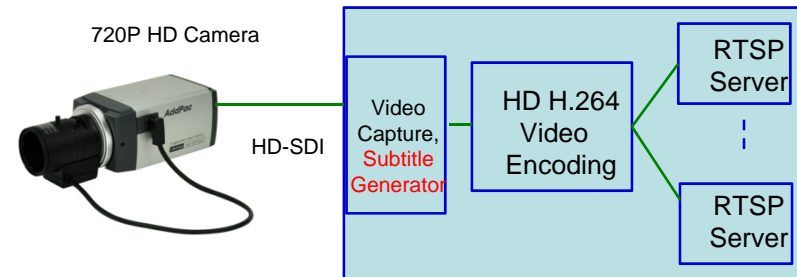
## AV6000NS Full HD Video Encoder Module

### AP-NC2000 Video Encoder



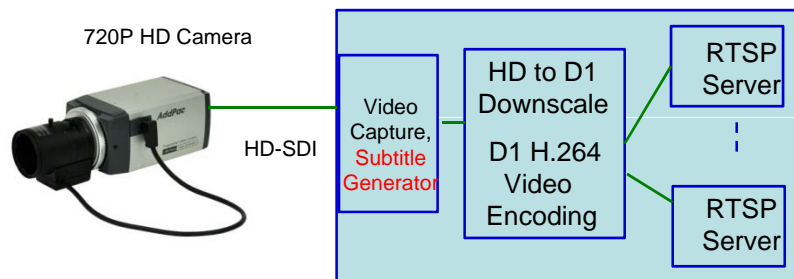
Single Full HD H.264 Video Encoding

### AP-NC2000 Video Encoder



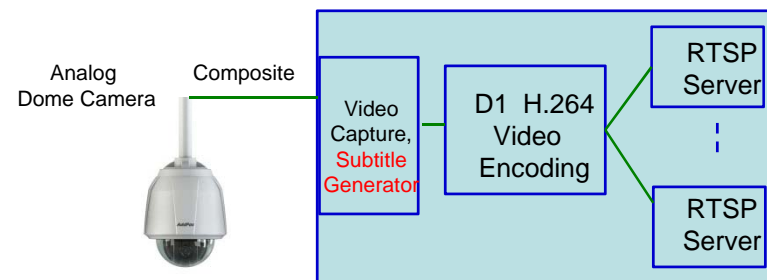
Single HD H.264 Video Encoding

### AP-NC2000 Video Encoder



Single D1 H.264 Video Encoding

### AP-NC2000 Video Encoder

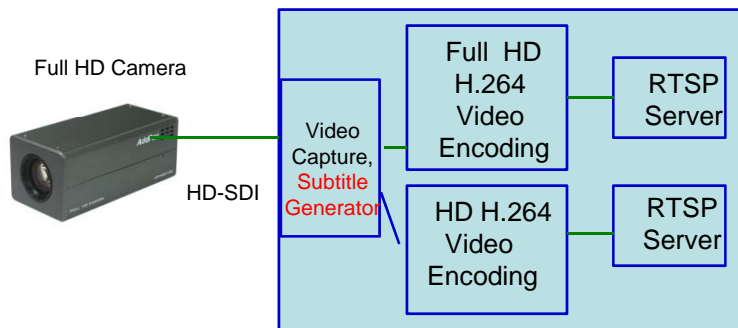


Single D1 H.264 Video Encoding

# Video Codec Service Features

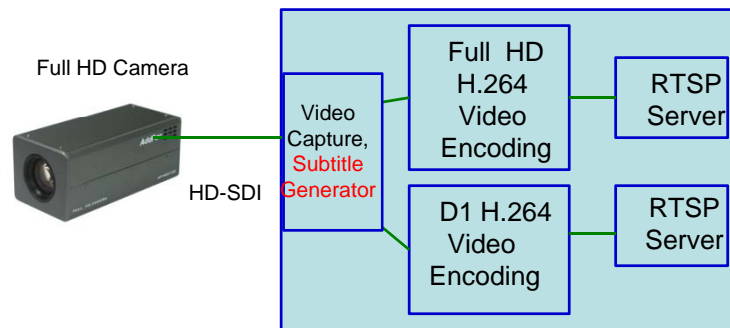
## AV6000NSE Full HD Video Encoder Module

**AP-NC2000  
Video Encoder**

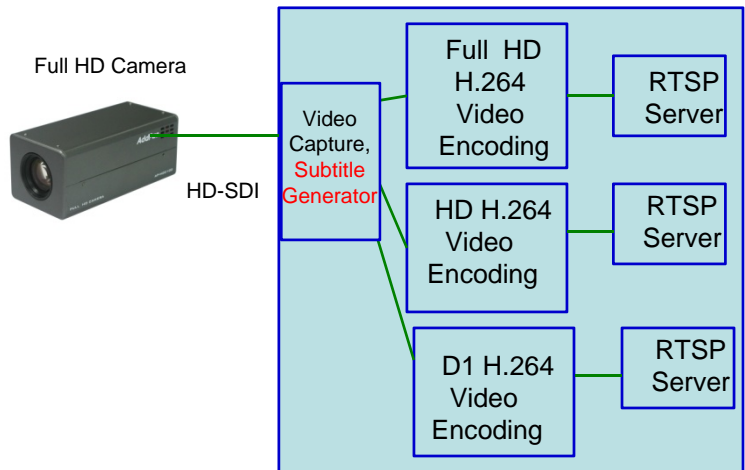


H.264 Full HD, HD Dual Video Encoding

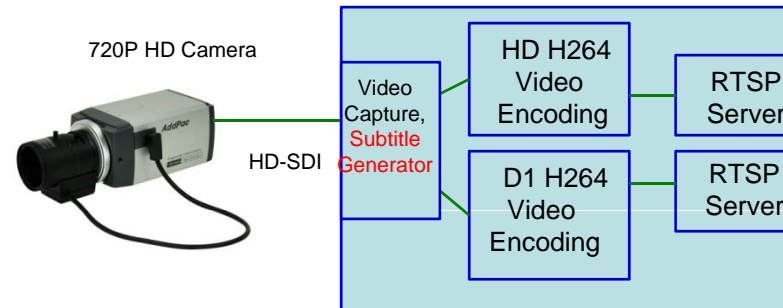
**AP-NC2000  
Video Encoder**



H.264 Full HD, D1 Dual Video Encoding



H.264 Full HD, HD, D1 Triple Video Encoding



H.264 HD, D1 Dual Video Encoding

# Subtitle Generator Software Service

AV6000NSE Full HD Video Encoder Module

## HD Subtitle Generator Service Features

- Display Object at specific position(Character, Figure, Diagram, Bitmap)
- Character Object : Color, Font Size, Font, Boundary Color, Box, Box Color, Position, etc
- Character Scrolling Service
- Variable Subtitle Service by PTZ Position Information
- Erase Object within specific area
- Erase All Object
- Status Information Service (S/W Version, Flash Size, etc)
- Network Configuration

# Subtitle Generation Manager Features

AV6000NSE Full HD Video Encoder Module

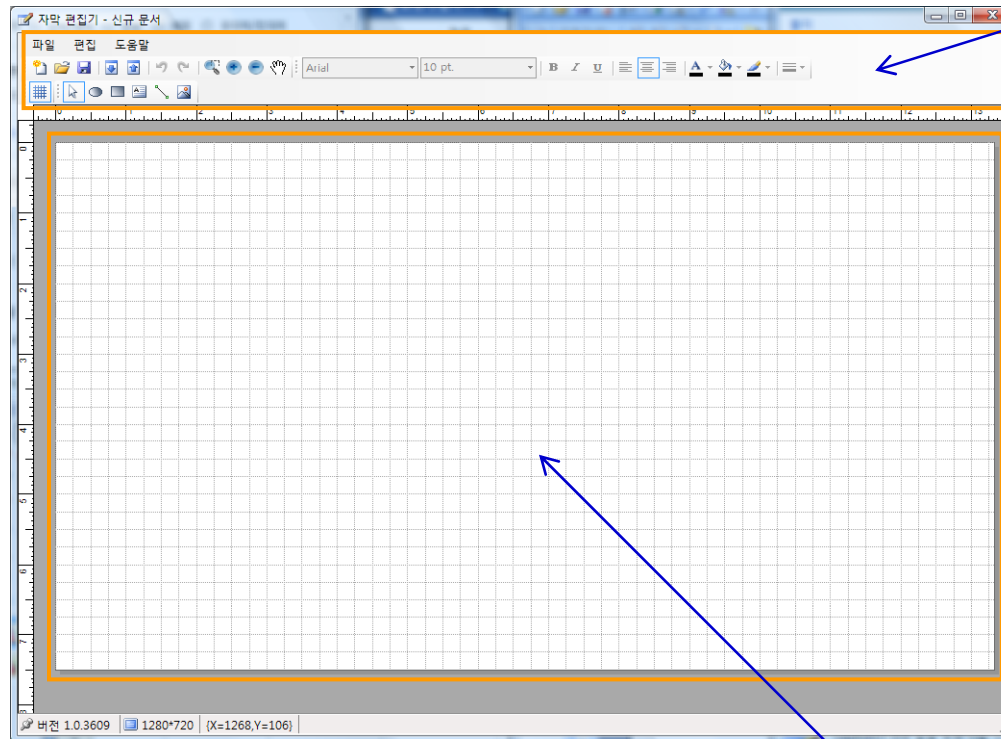
- **Subtitle Generation Management**
  - Open, Save
  - Import, Export
- **Subtitle Generation Edit**
  - Polygon (ellipse, rectangle)
  - Line
  - Image
  - Text
- **Subtitle Generation Option**
  - Font (Font, Size, Style, Align, Color)
  - Style (BackColor, LineColor, Line style)
- **Miscellaneous**
  - Background image
  - Screen size
  - Zoom (+, -)
  - Undo, Redo, Copy, Paste, Cut

# Subtitle Generation Manager Features

AV6000NSE Full HD Video Encoder Module

## MS-Window based SG Manager Main Layout

Program Tool Area for SG Editing




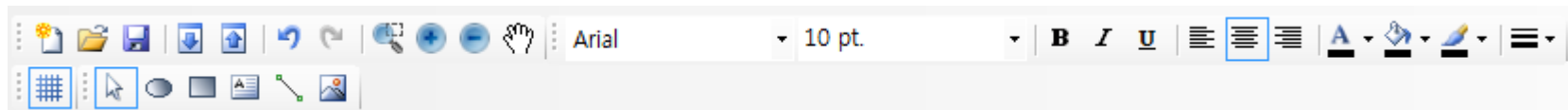
SG Editing Layout Area



# Subtitle Generation Manager Features

## AV6000NSE Full HD Video Encoder Module

### Tool Menu

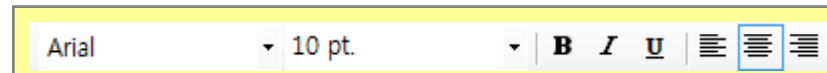


신규문서 : 자막 문서를 신규로 생성합니다.  
열기 : 자막 문서 파일 열기를 수행합니다.  
저장 : 자막 문서를 파일로 저장합니다.

장비에서 가져오기 : 장비로 부터 자막정보를 가져옵니다.  
장비로 내보내기 : 작성된 자막정보를 장비로 설정합니다.

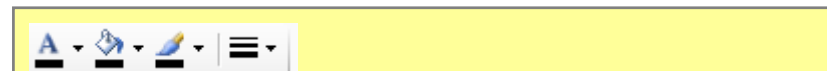
실행 취소 : 화면에서 수행했던 작업을 이전으로 되돌립니다.  
다시 실행 : 화면에서 취소했던 작업을 다시 실행합니다.

중 영역 : 마우스로 드래그 하여 영역을 지정하여 확대합니다.  
확대 : 화면을 확대합니다  
축소 : 화면을 축소합니다  
손 도구 : 마우스를 선택하여 화면을 이동합니다



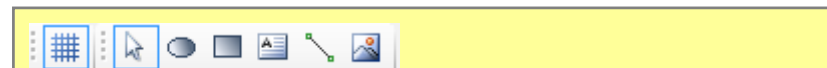
Arial      10 pt.      **B** *I* U      [List Icon] [List Icon] [List Icon]

폰트 : 텍스트 폰트 지정합니다.  
크기 : 텍스트 크기를 지정합니다.  
스타일 : 텍스트의 스타일(볼드, 이탤릭, 언더바)를 지정합니다  
텍스트 정렬 : 텍스트의 정렬방식을 지정합니다.



[Text Color Icon] [Background Color Icon] [Line Color Icon] [Line Style Icon]

텍스트 색상 : 텍스트의 색상을 지정합니다.  
배경 색상 : 객체의 배경 색상을 지정합니다.  
선 색상 : 선의 색상을 지정합니다.  
선 스타일 : 선의 스타일(굵기)를 지정합니다.



[Grid Icon] [Hand Icon] [Circle Icon] [Square Icon] [Text Icon] [Image Icon]

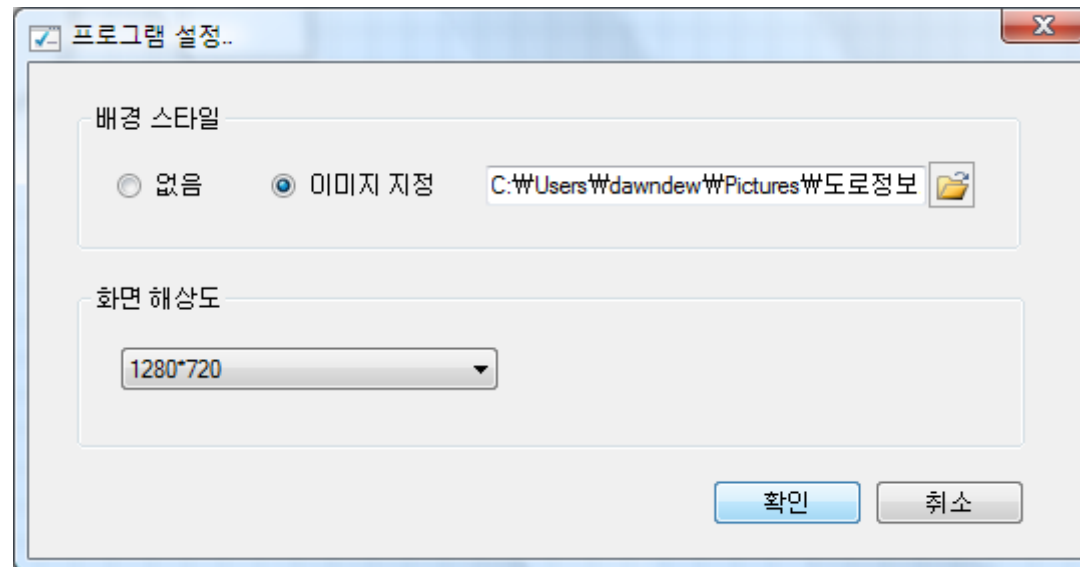
격자 표시 : 디자이너 배경화면의 격자무늬를 활성화/비활성화 합니다.  
포인트 : 마우스 포인트로 선택합니다.  
타원 : 원형 도구를 선택합니다.  
정사각형 : 정사각형 도구를 선택합니다.  
텍스트 : 텍스트 도구를 선택합니다.  
선 : 선 도구를 선택합니다.  
이미지 : 이미지 도구를 선택합니다.

# Subtitle Generation Manager Features

AV6000NSE Full HD Video Encoder Module

## SG Editing Area Configuration

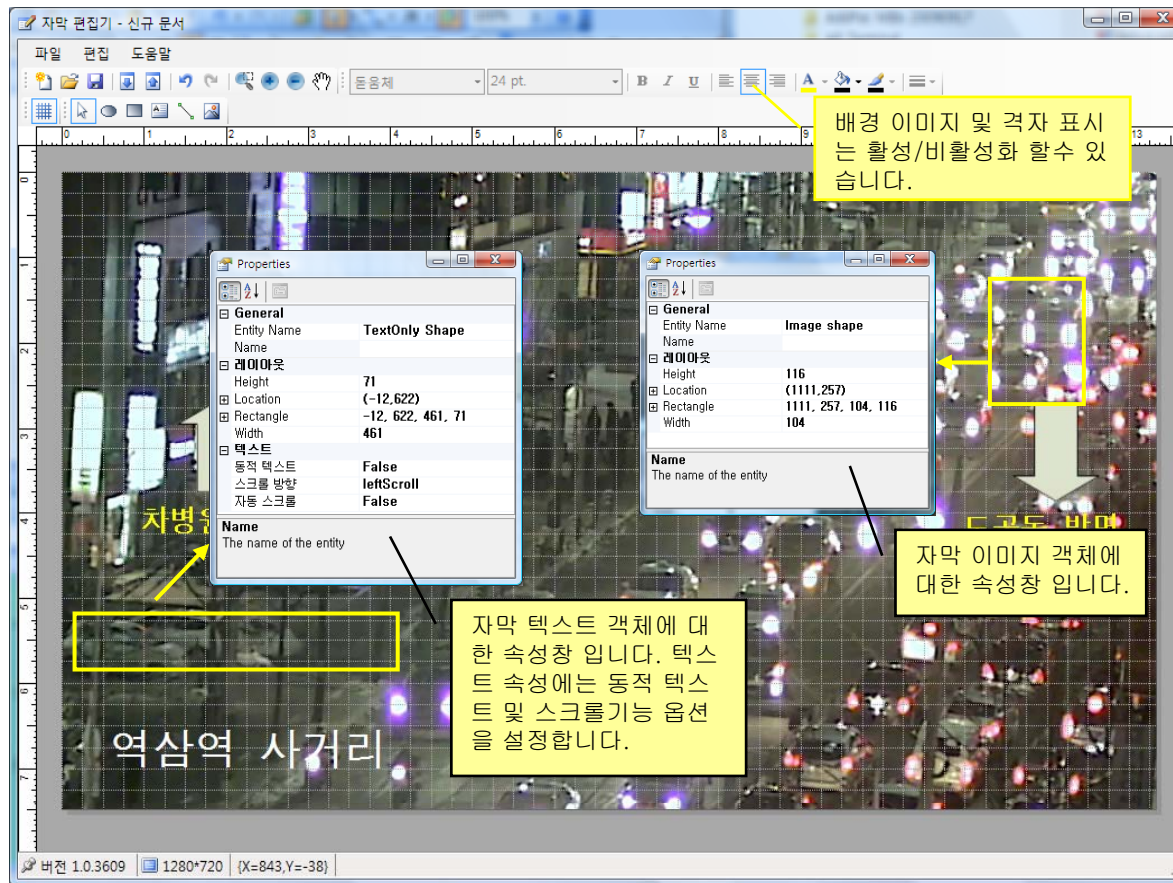
- Background Style (Image, etc)
- Image Resolution (Ex : 1920 x1080, etc)



# Subtitle Generation Manager Features

AV6000NSE Full HD Video Encoder Module

## SG Editing Example



# Network Service and Features

## AV6000NSE Full HD Video Encoder Module

### Basic Network Protocols

- ARP, IPv4, TCP, UDP, ICMP, SCTP, IGMP, MLD

### Routing Protocol

- IPv4 : Static

### Service Protocol

- FTP, Telnet, TFTP, DHCP Server/Relay, SNMP Server
- CDP (Cisco Discovery Protocol)
- DNS Resolver , DDNS(nsupdate)
- Bridge
- Syslog

### IPv4 Address Configuration

- Fixed (Static)
- DHCP
- PPPoE

### Miscellaneous

- Standard & Extended IPv4 Access List
- Multi-level User Account Management
- IP accounting

# Ordering Information

- AV6000NSE Full HD Video Encoder Module
  - Main Chassis (Option) : AP-NC2000D, AP-NC2000, AP-NC3000, AP-NC5000
  - AP6000NSE Full HD Video Encoder Module
  - Including Network Cable Set & Power Supply Cable, etc
- Built-in APOS Internetworking Software for AV6000NSE Module
- Including 1 Year Hardware Warranty
- Product Documents
  - Install and Operation Guide (PDF)
- Pricing
  - AddPac Technology Regional Sales Manager
  - Authorized Sales and Marketing Representatives
  - Please Contact [www.addpac.com](http://www.addpac.com)



# Thank you!

**AddPac Technology Co., Ltd.**  
Sales and Marketing

Phone +82.2.568.3848 (KOREA)

FAX +82.2.568.3847 (KOREA)

E-mail [sales@addpac.com](mailto:sales@addpac.com)