

# RSTP QuadScreen Video Splitter, AP-HDI4N1



Smart Web Manager



**AddPac**


AddPac Technology

Sales and Marketing

[www.addpac.com](http://www.addpac.com)

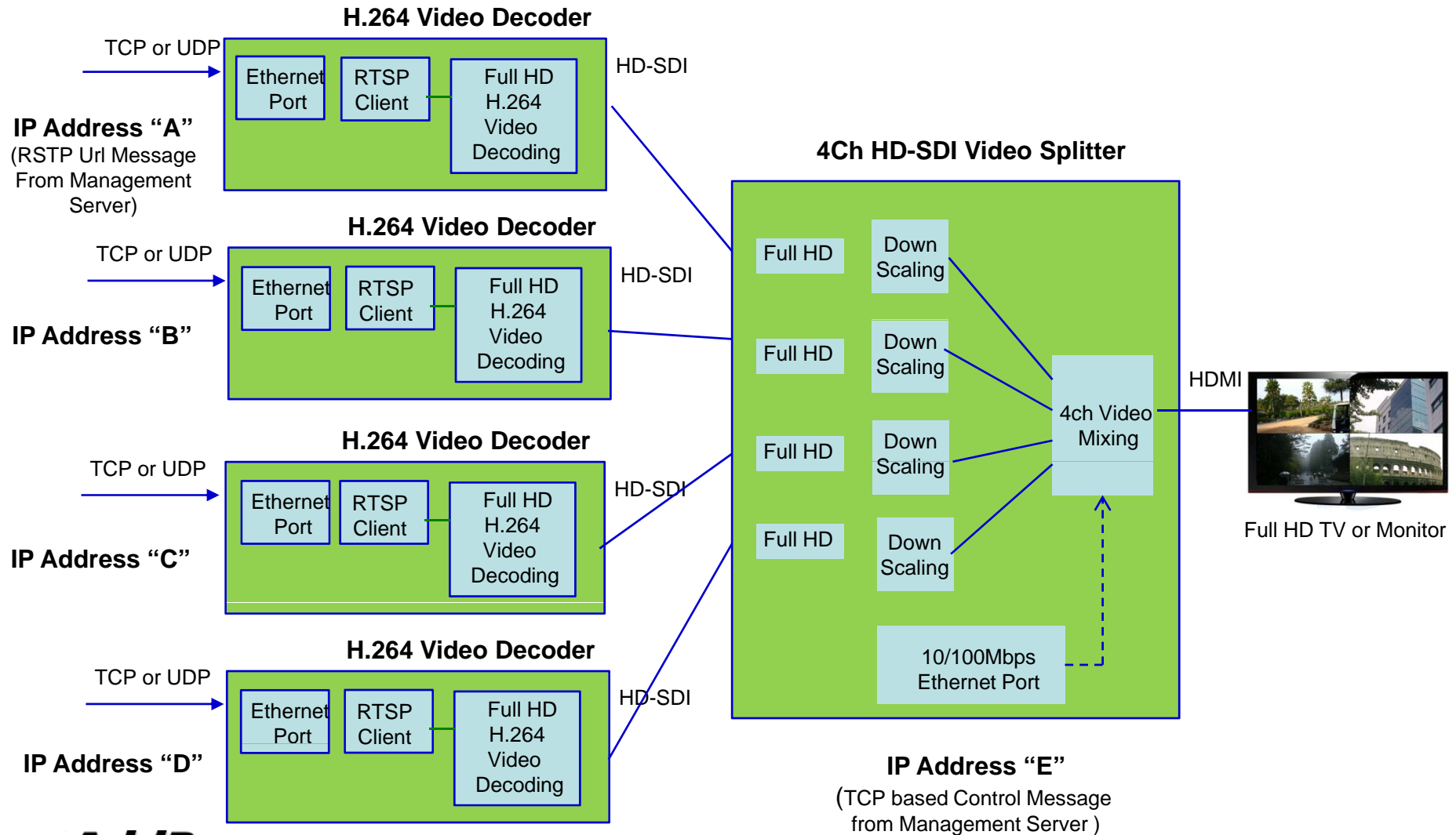
# Contents

- Legacy HD-SDI Video Splitter vs New IP Video Splitter Scheme
- Network Setup
- Standalone Mode
  - 4 Channel Video Splitter Control
  - Video Encoder List (Camera List Enrollment)
  - Video Display Sequence (Round-robin Display)
- Manager Mode
  - Video Decoder Config (IP Addr.)
  - 4 Channel Video Splitter Config (IP Addr., TCP Port)
  - **Manager Access Information for Debugging**
- **Miscellaneous**
  - **HDMI Display Control (ex : HDMI Display Control, Brightness, etc)**
  - **Gratuitous ARP**



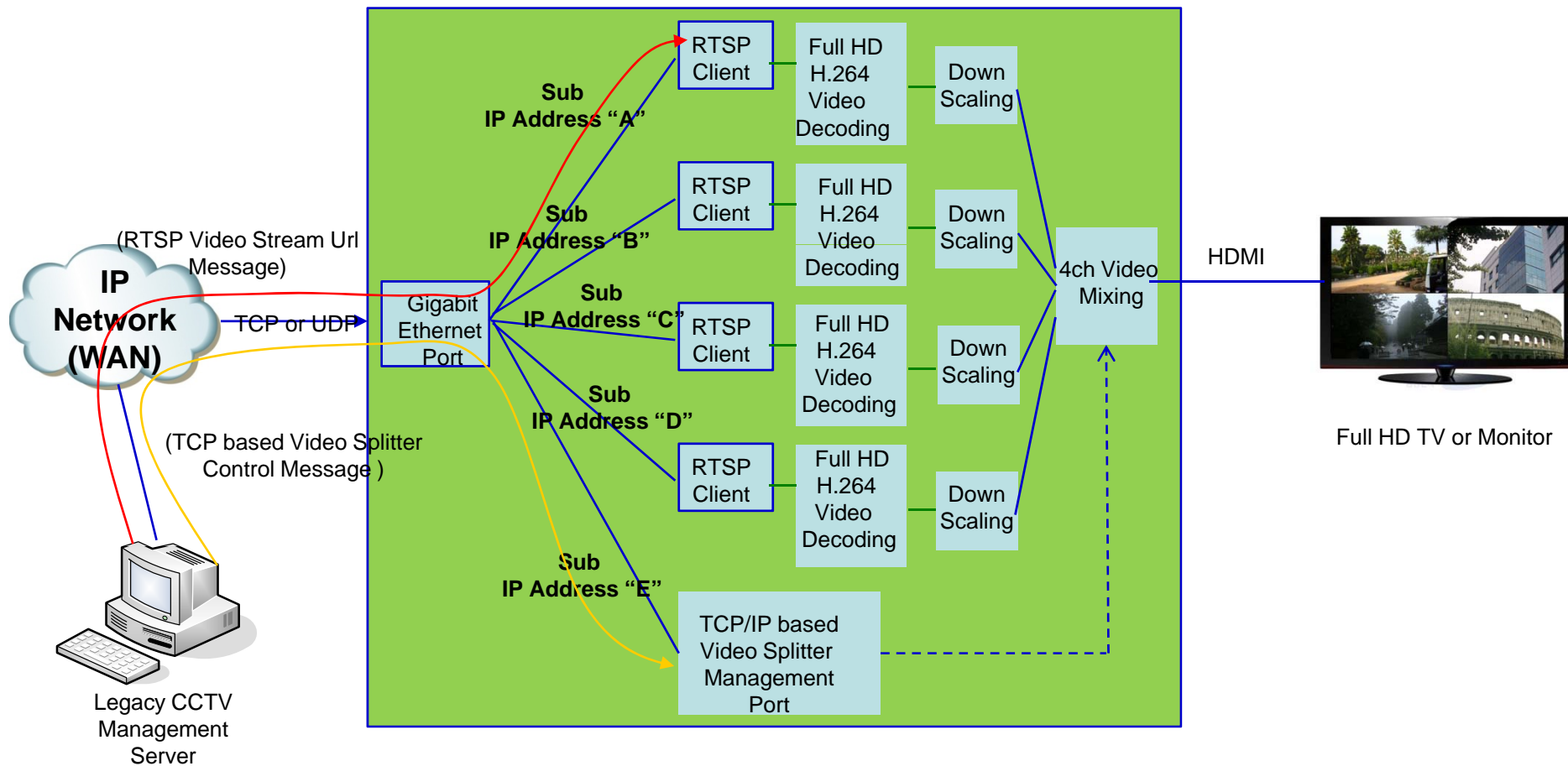
Legacy HD-SDI  
Video Splitter **Easy**  
**Migration** to New IP  
based Video Splitter  
AP-HDI4N1

# Legacy 4ch HD-SDI Video Splitter Control Scheme



# New IP based 4ch Video Splitter Control Scheme

## 4Ch H.264 IP Video Splitter



# Network Setup (Secondary Address)

Smart Web Manager  
www.addpac.com

- System
  - Language
  - Network Setup**
  - System Time
  - NTP
  - File Browser
- Standalone Mode
  - Video Splitter Control
  - Video Encoder List
  - Video Display Sequence
- Manager Mode
  - Video Decoder Config
  - Video Splitter Config
- Advanced
  - Service
- Miscellaneous
  - Ping

## Network Setup

Hostname

Static IP  DHCP

IP Address  A.B.C.D  
Network Mask  A.B.C.D  
Default Router  A.B.C.D  
DNS Server  Primary DNS Server  
 Secondary DNS Server

## Secondary Address

| Address (A.B.C.D)    | Network Mask (A.B.C.D) | Control                               |
|----------------------|------------------------|---------------------------------------|
| 172.16.8.111         | 255.255.0.0            | <input type="button" value="Delete"/> |
| <input type="text"/> | <input type="text"/>   | <input type="button" value="Add"/>    |



# Standalone Mode

# 4 Channel Video Splitter Control

Smart Web Manager  
www.addpac.com

- System
  - Language
  - Network Setup
  - System Time
  - NTP
  - File Browser
- Standalone Mode
  - Video Splitter Control**
  - Video Encoder List
  - Video Display Sequence
- Manager Mode
  - Video Decoder Config
  - Video Splitter Config
- Advanced
  - Service
- Miscellaneous
  - Ping

## Display Control

Display Layout: 4 (2x2) ▼

Full Decoder Id: 0 ▼

✓ Apply

## Decoder Control

| Decoder ID | Encoder ID(0-1023)             | Encoder Name | Play      | Control |
|------------|--------------------------------|--------------|-----------|---------|
| 0          | <input type="text" value="0"/> |              | Encoder ▼ | Apply   |
| 1          | <input type="text" value="1"/> |              | Encoder ▼ | Apply   |
| 2          | <input type="text" value="2"/> |              | Encoder ▼ | Apply   |
| 3          | <input type="text" value="3"/> |              | Encoder ▼ | Apply   |



# Video Encoder (Camera) List Enrollment

Smart Web Manager  
www.addpac.com

Encoder List

| ID(0-1023) | Name | URL                        | Transport | Username | Password | Control |
|------------|------|----------------------------|-----------|----------|----------|---------|
| 0          |      | rtsp://172.16.9.70/door    | udp       |          |          | Delete  |
| 1          |      | rtsp://172.16.9.70/v1      | udp       |          |          | Delete  |
| 2          |      | rtsp://172.16.2.70/video   | udp       |          |          | Delete  |
| 3          |      | rtsp://172.16.14.152/video | udp       |          |          | Delete  |

# Video Display Sequence (Round Robin Display)

Smart Web Manager  
www.addpac.com

- System
  - Language
  - Network Setup
  - System Time
  - NTP
  - File Browser
- Standalone Mode
  - Video Splitter Control
  - Video Encoder List
  - Video Display Sequence**
- Manager Mode
  - Video Decoder Config
  - Video Splitter Config

## Display Sequence (Decoder 0)

Decoder

| Encoder ID(0-1023)   | Encoder Name | Play Time(sec, 5-120) | Control                               |
|----------------------|--------------|-----------------------|---------------------------------------|
| 0                    |              | 10                    | <input type="button" value="Delete"/> |
| 1                    |              | 10                    | <input type="button" value="Delete"/> |
| 2                    |              | 10                    | <input type="button" value="Delete"/> |
| 1                    |              | 9                     | <input type="button" value="Delete"/> |
| <input type="text"/> |              | <input type="text"/>  | <input type="button" value="Add"/>    |



# Manager Mode

# Video Decoder Configuration

Smart Web Manager  
www.addpac.com

- System
  - Language
  - Network Setup
  - System Time
  - NTP
  - File Browser
- Standalone Mode
  - Video Splitter Control
  - Video Encoder List
  - Video Display Sequence
- Manager Mode
  - Video Decoder Config**
  - Video Splitter Config

## Video Decoder

| Decoder ID | Address(A.B.C.D) | Port(optional, 1-65535) |
|------------|------------------|-------------------------|
| 0          | 172.16.2.4       | --                      |
| 1          | 172.16.8.111     | --                      |
| 2          | 172.16.8.112     | --                      |
| 3          | 172.16.8.113     | --                      |

# 4 Channel Video Splitter Configuration

The screenshot displays the 'Smart Web Manager' interface with the 'Video Splitter' configuration page. The left sidebar contains three main sections: 'System' (Language, Network Setup, System Time, NTP, File Browser), 'Standalone Mode' (Video Splitter Control, Video Encoder List, Video Display Sequence), and 'Manager Mode' (Video Decoder Config, Video Splitter Config). The main content area is titled 'Video Splitter' and includes the following settings:

- IP Address:** 172.16.8.114
- Port:** 37474 (Local TCP Listen Port(1-65535, default 37474))
- Login Check:**  Disable  Enable
- TCP Connection Owner:**  Last Client  First Client

An 'Apply' button with a green checkmark is located at the bottom left of the configuration area.

# Manager Access Information for Debugging

Smart Web Manager  
www.addpac.com

- System
  - Language
  - Network Setup
  - System Time
  - NTP
  - File Browser
- Standalone Mode
  - Video Splitter Control
  - Video Encoder List
  - Video Display Sequence
- Manager Mode
  - Video Decoder Config
  - Video Splitter Config
  - Manager Access Info**
- Advanced

## Manager Access Information

RTSP Encoder List

```
rtsp encoder 0 url rtsp://172.16.9.72/door name door
rtsp encoder 1 url rtsp://172.16.9.72/hd1 name HD
rtsp encoder 2 url rtsp://172.16.9.72/91v1 name 91v1
rtsp encoder 3 url rtsp://172.16.9.72/92v1 name 92v1
rtsp encoder 4 url rtsp://172.16.9.72/93v1 name 93v1
rtsp encoder 5 url rtsp://172.16.9.72/94v1 name 94v1
rtsp encoder 6 url rtsp://172.16.9.72/95v1 name 95v1
```

RTSP Decoder HTTP Access Statistics

| ID  | Read-Count | Last-Read | Write-Count | Last-Write |
|-----|------------|-----------|-------------|------------|
| 0   | 0          | --        | 0           | --         |
| 1   | 0          | --        | 0           | --         |
| 2   | 0          | --        | 0           | --         |
| 3   | 0          | --        | 0           | --         |
| --- | 0          | --        | 0           | --         |

RTA TCP Splitter Status  
Splitter TCP disconnected



# Miscellaneous

# HDMI Video Out Display Control

Smart Web Manager  
www.addpac.com

**System** +

**Standalone Mode** -

- Video Splitter Control
- Video Encoder List
- Video Display Sequence

**Manager Mode** -


- Video Decoder Config
- Video Splitter Config
- Manager Access Info


**Advanced** -


- **Media**
- Service


**Media**

**Display**

Brightness : -  +  (1-256)

Contrast : -  +  (1-256)

Saturation : -  +  (1-256)

Hue : -  +  (1-61)

Apply  Default



# Gratuitous ARP

The screenshot shows the Smart Web Manager interface with the following components:

- Header:** Smart Web Manager, www.addpac.com
- Left Sidebar:**
  - System (+)
  - Standalone Mode (+)
  - Manager Mode (-)
    - Video Decoder Config
    - Video Splitter Config
    - Manager Access Info
  - Advanced (-)
    - Media
    - Service
  - Miscellaneous (-)
    - Ping
    - Gratuitous ARP
- Main Content Area:**
  - Gratuitous ARP**
  - Local IP Address: 172.16.8.27 (dropdown menu open showing options: 172.16.8.27, 172.16.8.30, 172.16.8.31)
  - Send (button with green checkmark)



# Thank you!

**AddPac Technology Co., Ltd.**  
Tech. Solution

Phone +82.2.568.3848 (KOREA)  
FAX +82.2.568.3847 (KOREA)  
E-mail [ts@addpac.com](mailto:ts@addpac.com)