

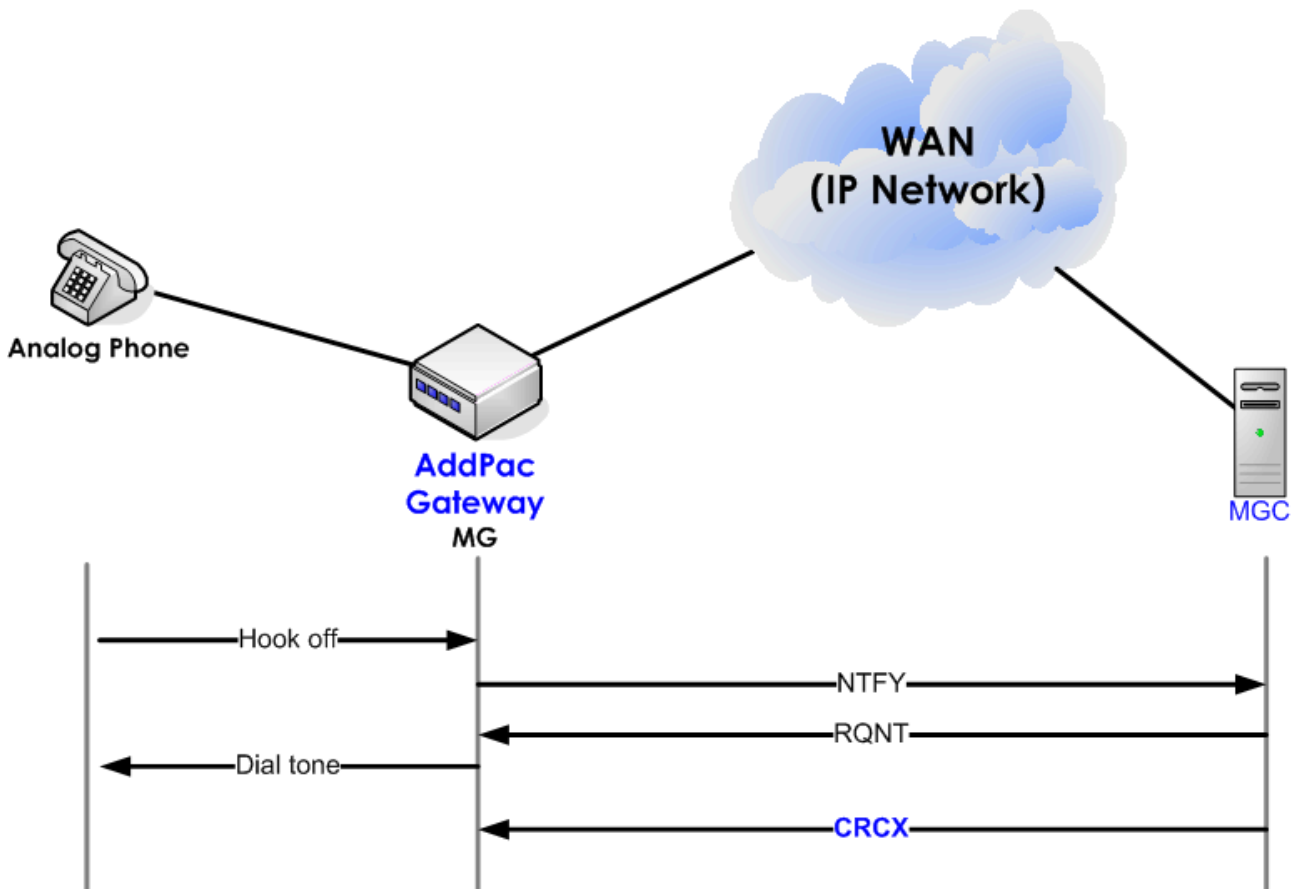
MGCP Voice Codec, VAD Manual Configuration Function Added

Category	S/W Release Version	Date
MGCP	8.00	Apr. 2004

Function Description

This function manually configures the voice codec (ex: G.723.1) and VAD (Silence suppression) parameter setting at the MG (Media Gateway) side. However, the voice codec and VAD parameters defined by the MGC (Call Agent)'s CRCX message is applied forcefully when the parameter setting of MGC and MG are not identical.

When the **LocalConnectionOption** parameter field in received CRCX message has null values for VAD and voice codec, the default values of the MG are applied regardless of the manual setting. The default values are "VAD (Silence suppression): disable, voice codec: G.711U-law (PCMU), packetization period: 20ms, echo cancellation: enable". These default values are unable to change.



CRCX	Mean of configuration	
L: a:PCMU, p:20, e:on, s:on	MGC	MG is requested to operate as [codec: g711alaw, packetization period: 20ms, echo cancel: on, silence suppression: on]
	MG	MG follows the request.
L: e:on	MGC	Codec parameters are not fully defined. This kind of message might cause errors due to the parameter mismatch between the remote peers. (Not recommended) Except [echo cancel: on], the default parameters of MG are applied.
	MG	Follow the default values of MG except echo cancellation. AddPac default codec : g711 ulaw(PCMU) VAD: disable, Packetization period: 20ms, Echo cancellation: Enable
None (L: No parameter)	MGC	No parameter defined. This kind of message might cause errors due to the parameter mismatch between the remote peers. (Not recommended)
	MG	The manually configured values of MG are applied. Ex) codec g711ulaw no vad

Related Commands

Codec setting

```
(config)# mgcp
(config-mgcp)# codec ?
g711alaw      G711 a-law Codec Type (64 kbps)
g711ulaw     G711 u-law Codec Type (64 kbps)
g729         G729 Codec Type (8 kbps)
g7231r63     G723.1 Codec Type (6.3 kbps)
g7231r53     G723.1 Codec Type (5.3 kbps)
```

Default: g711ulaw (PCMU)

VAD setting

(config)# mgcp

(config-mgcp)# vad

Default: no vad