



VoIP

AP2610 VoIP Gateway

H/W Design Concept



AddPac

AddPac Technology

2011, Sales and Marketing

Contents

- Hardware Specification
- Hardware Logical Diagram



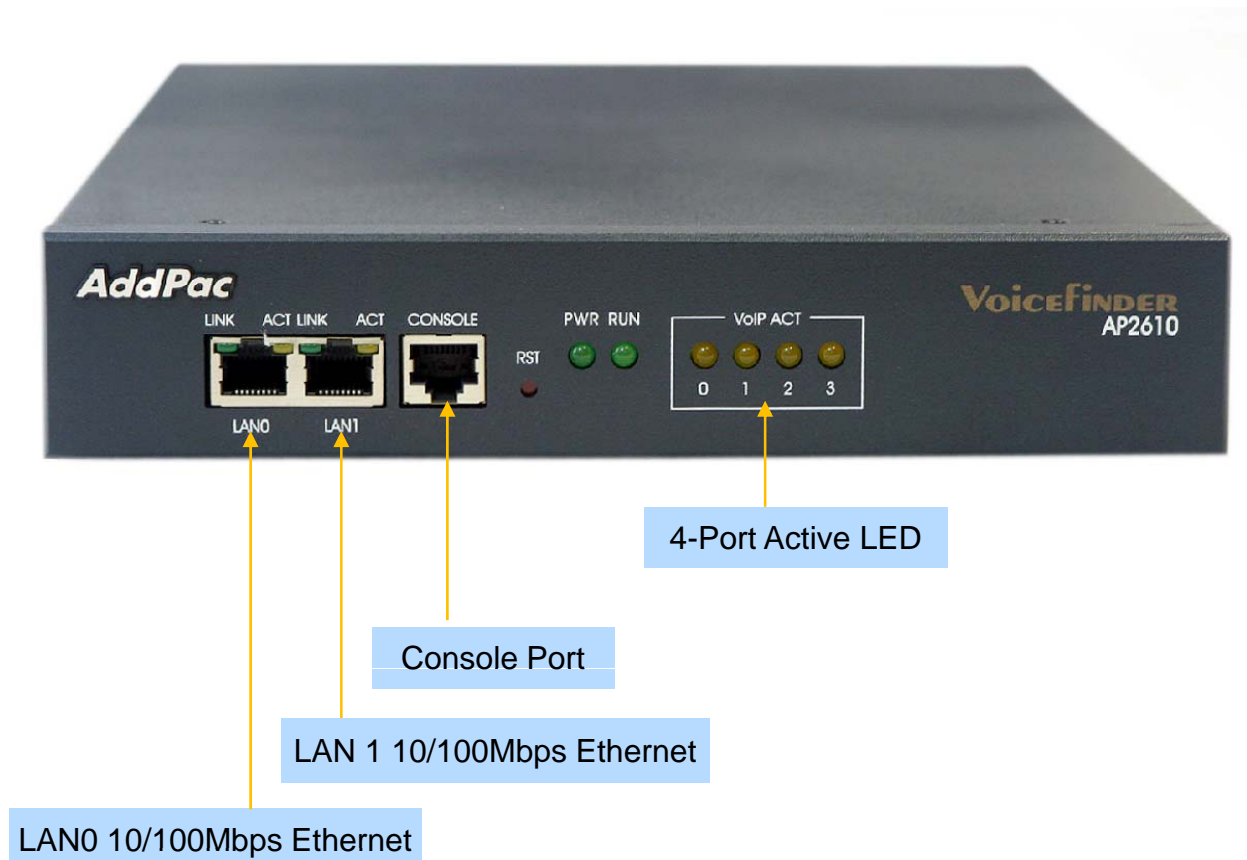
Hardware Specification

AP2610 VoIP Gateway

- High-End RISC Microprocessor
- One(1) VoIP Module Slots
- SODIMM Type SDRAM Memory for Extension & Future Application
- Network Interface
 - Two(2) 10/100Mbps Fast Ethernet Port
- One(1) RS-232C Console Port
- Internal Power Supply
- Run LED, LAN LED, Port LED
- 4-Port Analog VoIP Module Support : FXS, FXO, E&M, etc

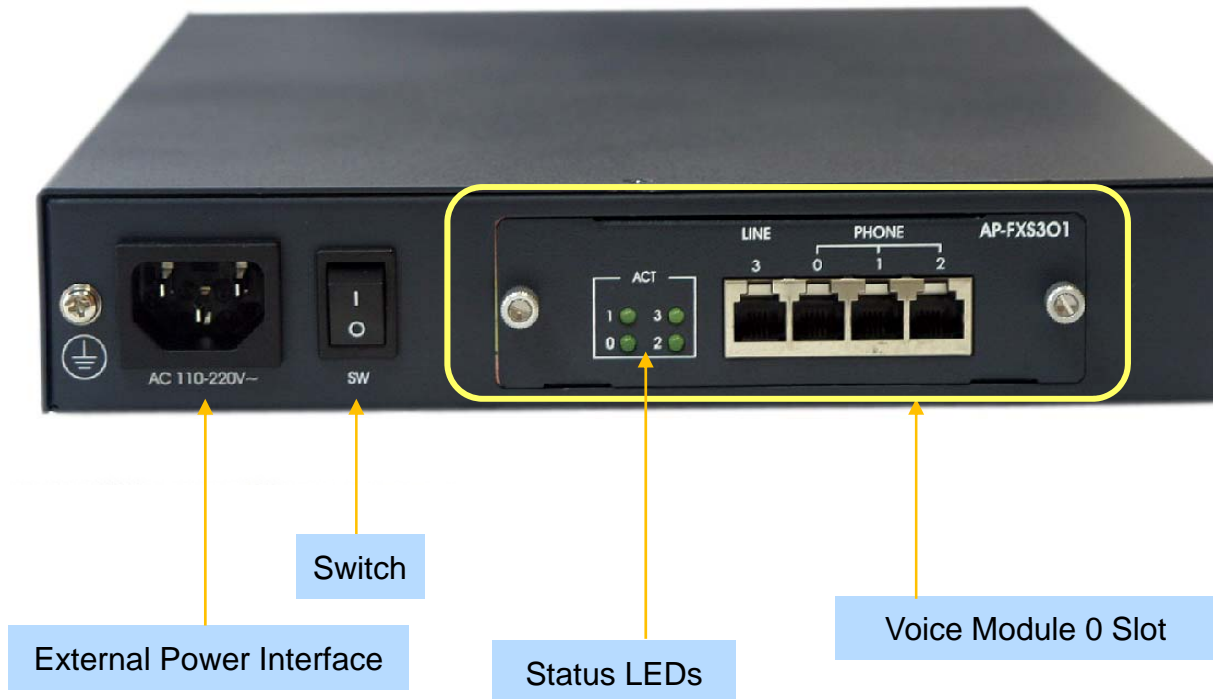
Hardware Specification

AP2610 VoIP Gateway



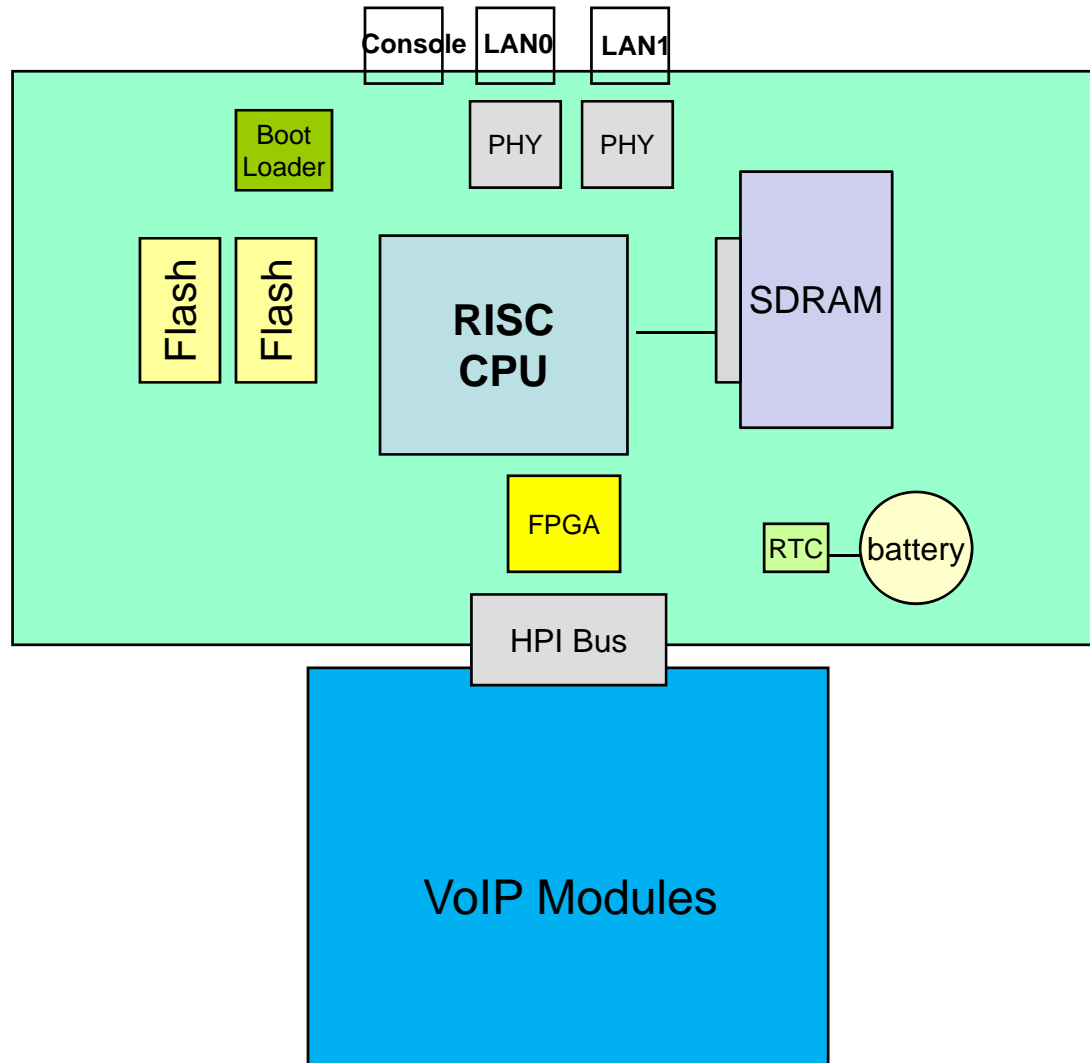
Hardware Specification

AP2610 VoIP Gateway



Hardware Logical Diagram

AP2610 VoIP Gateway



VoIP Gateway Series

Thank you!

AddPac Technology Co., Ltd.
Sales and Marketing

Phone +82.2.568.3848 (KOREA)

FAX +82.2.568.3847 (KOREA)

E-mail sales@addpac.com