

IP Voice Door Phone Solution



IP Voice Door Phone Solution

- AP-AC50 IP Voice Door Phone
- AP-AC20 IP Voice Door Phone
- AP-IP300 IP Phone
- AP-IP230 IP Phone
- AP-ACS1500 Door Access Control System

[Learn More >](#)

The banner features a blue background with a white and black device on the left, a white door phone in the center, a black door phone on the right, and two black IP phones on the far right.

AddPac

AddPac Technology

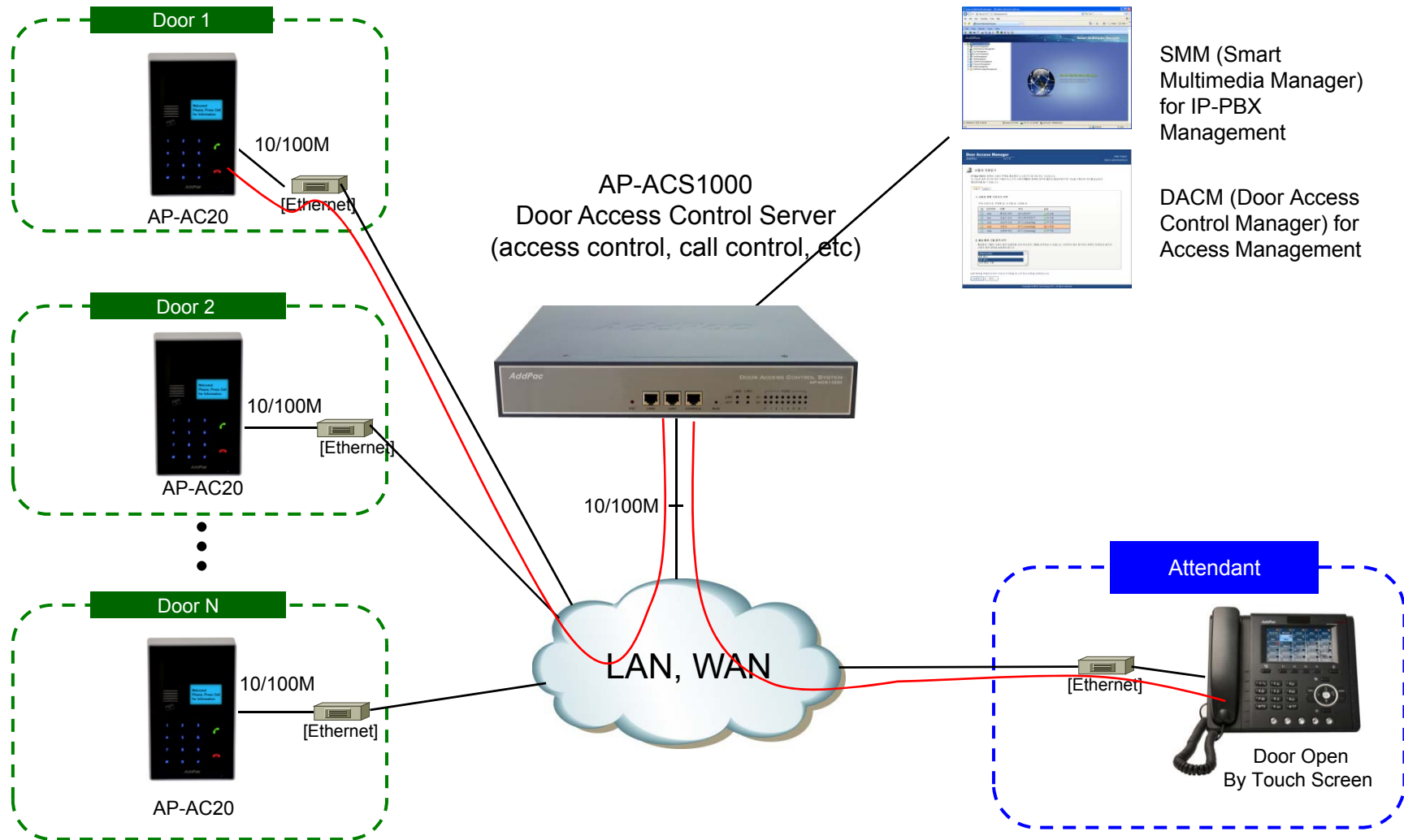
Sales and Marketing

www.addpac.com

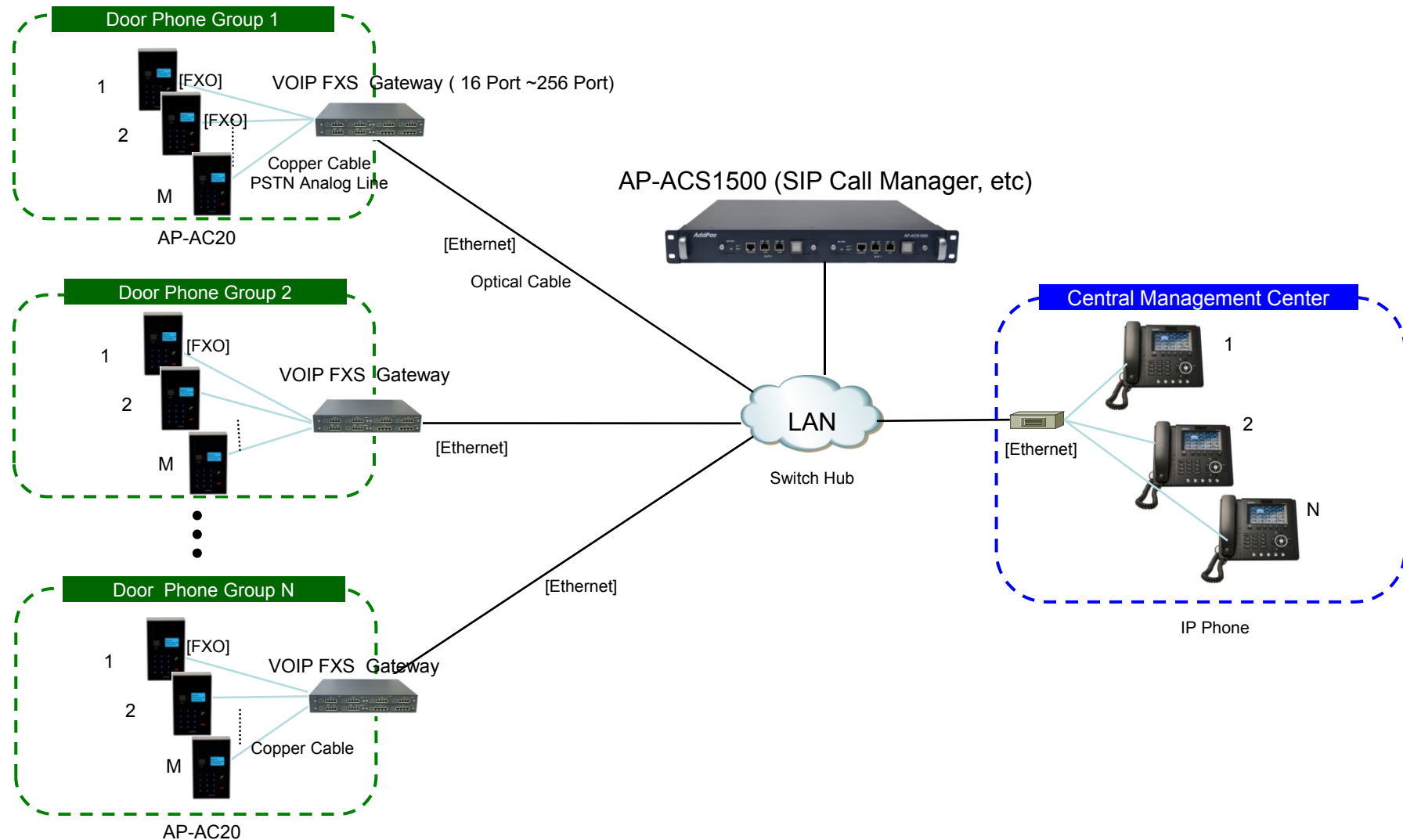
Contents

- IP Voice Door Phone Service Diagram
- IP Voice Door Phone Comparison Table
- IP Voice Door Phone
 - AP-AC50
 - AP-AC20
- Backend Solution
 - AP-ACS1000, AP-ACS1500 Door Access Control Server (SIP Call Manager + Door Access Control Manager)
 - AP-IP300, AP-IP230 IP Phone

Network Environment (All IP, SIP Mode)





Network Diagram (Analog FXO Mode)





IP Voice Door Phones

IP Voice Door Phone Comparison Table

Model	AP-AC50	AP-AC20
Service Features		
Duplex (Voice)	Full Duplex	Full Duplex
Key Pad	Touch Screen based Key Support	Touch Key Support
LCD	5 Inch LCD	Blue LED Backlight LCD, 128 x 64 Display Resolution
RF Card	Support	Support
Voice Codec	G.711,etc	G.711,etc
Signaling	SIP (H.323 Option)	SIP (H.323 Option)
MIC & Speaker Phone	Support	Support
LAN Port	1	1
PoE(Optional)	Support	Support
Analog FXO (Option)	Support	Support



AP-AC50

IP Voice Door Phone

Hardware Specification

AP-AC50 IP Door Phone

RISC
CPU

High-end
DSP

- RISC+DSP Microprocessor Computing Power
- Audio and Voice Interface
 - Internal MIC
 - Internal Speaker
- Touch Screen TFT Color LCD Interface
 - 5 Inch LCD, 800 x 480 Video Resolution
- One(1) 10/100Mbps Fast Ethernet
- Option : One(1)-Port FXO or FXS Interface for Analog PSTN connection
- Option : PoE(Power over Ethernet) Support
- Option : RF Card Interface
- Alarm & Relay Out Interface (door open, etc)
- Powerful Network Protocols (PPPoE, DHCP, Static Routing, etc)
- Firmware Upgradeable Architecture
- Advanced Voice QoS Mechanism

Hardware Specification

AP-AC50 IP Door Phone

RISC
CPU

High-end
DSP

- **Acoustic Echo Canceller**
 - Full-duplex operation during double-talk situations
 - One channel AEC, one channel LEC up to 256ms shared
 - Cancels echoes with up to 10dB echo return
 - Advanced noise reduction(up to 20dB)
- **Speaker**
 - Impedance : 8 +/-15%ohm at 1kHz, 1.0 Vrms
 - Sound Pressure : 90 +/- 3dB at 0.1W/10 CM
at 800Hz, 1.0kHz, 1.2kHz, 1.5kHz
 - Resonance Level : 550Hz +/- 20%Hz at Fo Hz, 1.0Vrms
 - Frequency Range : Fo Hz ~20kHz
 - Input Power : Normal : 1.0 W, Max : 2.0W
- **Audio Amplifier**
 - 1-W BTL Output(5V, 0.11 % THD+N)
 - Uncompensated Gains of 2 to 20 (BTL Mode)
 - Thermal and Shot-circuit Protection
 - High Supply Ripple Rejection Ratio
- **PoE(Power over Ethernet)**
 - IEEE802.3af compliant
 - Input voltage range 36V to 57V
 - Short-circuit Protection

Hardware Specification

AP-AC50 IP Door Phone

RISC
CPU

High-end
DSP

- LCD Controller
 - One-Chip Solution for TFT-LCD
 - Hardware On-Screen Display (OSD)
 - Support resolution up to 240xRGBx320
 - Up to 24-bit RGB888 Digital Interface
 - Resize Function (x 1/16, x8)
 - BT.60/BT.66 Digital YCbCr 4:2:2(8-/16-bit) Interface

Hardware Specification

AP-AC50 IP Door Phone

RISC
CPU

High-end
DSP

- RF Card Sensor
 - Protocol Supported
 - ISO14443A/B all bit rates
 - > 106,212,424 and 848 kbps
 - Compatible to MiFare Classic
 - ISO15693 all modes
 - > 1.65/6.6 & 26.5 kbps
 - > Uplink 1 & 2 sub-carrier
 - Receiver
 - Rx Sensitivity down to 1mVrms
 - Rx Automatic Gain Control
 - Accept external baseband signal from external circuitry for frame level processing
 - Integrated signal strength indicator (SSI)
 - On-Chip Framing handler for supported standard
 - Transmitter
 - Typical proximity operating distance up to 100mm.
 - Software configurable modulation index
 - Maximum driving current up to 200 mA/PIN @ 5V
 - Accept external baseband signal for RF modulation
 - Wide Transmitter driver supply range from 2.7~7.0V

Hardware Specification

AP-AC50 IP Door Phone

RISC
CPU

High-end
DSP

Front Side



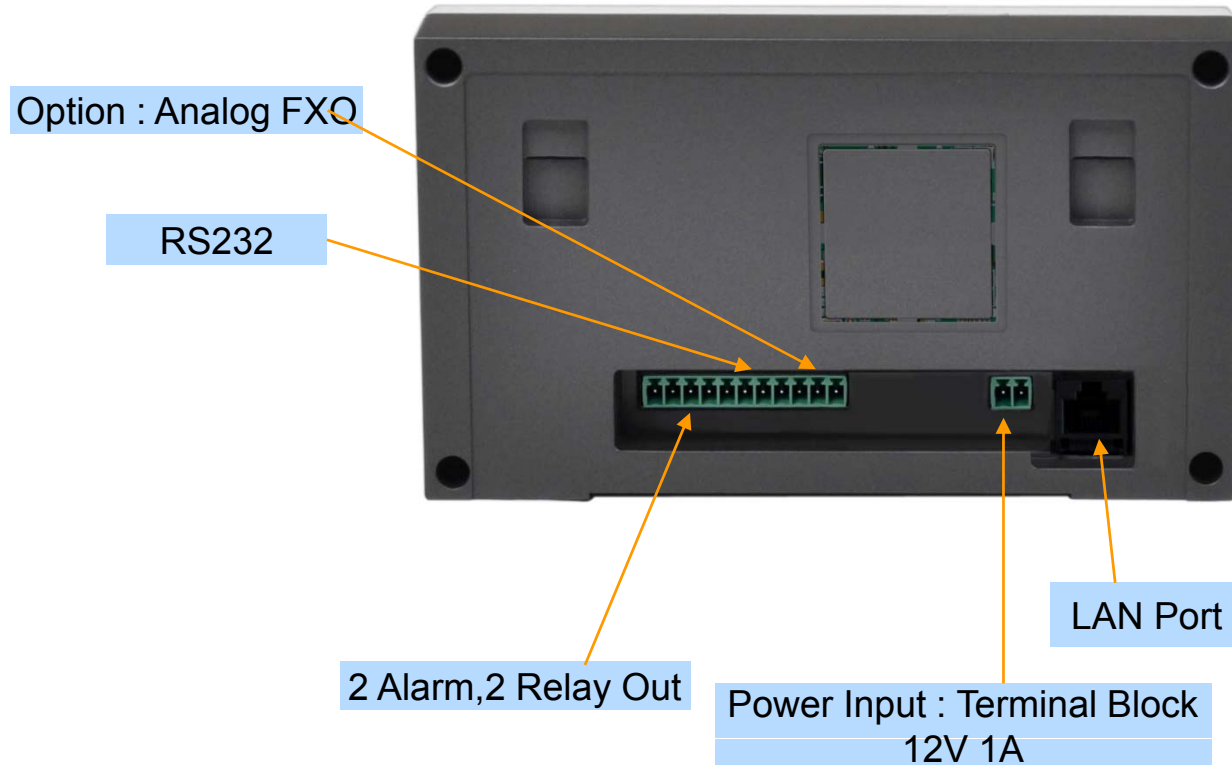
Hardware Specification

AP-AC20 IP Door Phone

RISC
CPU

High-end
DSP

Back Side



Hardware Specification

AP-AC50 IP Door Phone

RISC
CPU

High-end
DSP

Power Supply

Terminal Block



12V 1A Power Adaptor

Example





AP-AC20 IP Voice Door Phone

Product Overview

AP-AC20 IP Door Phone

- High Performance IP Door Phone Solution
- 3x4 Key, Internal MIC & Speaker
- Blue LED Backlight LCD, 128 x 64 Display Resolution
- SIP VoIP Signaling Stack Embedded
- High-performance Voice Codec Support
 - G.711, G.729, G.723.1, etc
- One(1) 10/100Mbps Fast Ethernet
- Option : One(1)-Port FXO or FXS Interface for Analog PSTN connection
- Option : PoE(Power over Ethernet) Support
- Option : RF Card Interface
- High Quality Speaker Phone Features
- Powerful Network Protocols (PPPoE, DHCP, Static Routing, etc)
- Firmware Upgradeable Architecture
- Advanced Voice QoS Mechanism

Hardware Specification

AP-AC20 IP Door Phone

RISC
CPU

High-end
DSP

- RISC+DSP Microprocessor Computing Power
- Audio and Voice Interface
 - Internal MIC
 - Internal Speaker
 - 3 x 4 key PAD
- Blue LED Backlight LCD Interface
 - 128 x 64 Video Resolution
- Network Interface
 - One(1) 10/100Mbps Fast Ethernet
- RF Card Interface
- Alarm & Relay Out Interface (door open, etc)
- RS232/RS485 Interface
- Option : FXO Interface (back side)
- Power Supply
 - Power over Ethernet (Option)
 - External Power Supply

Hardware Specification

AP-AC20 IP Door Phone

RISC
CPU

High-end
DSP

- **Speaker**
 - Impedance : 8 +/-15%ohm at 1kHz, 1.0 Vrms
 - Sound Pressure : 90 +/- 3dB at 0.1W/10 CM at 800Hz, 1.0kHz, 1.2kHz, 1.5kHz
 - Resonance Level : 550Hz +/- 20%Hz at Fo Hz, 1.0Vrms
 - Frequency Range : Fo Hz ~20kHz
 - Input Power : Normal : 1.0 W, Max : 2.0W
- **Audio Amplifier**
 - 1-W BTL Output(5V, 0.11 % THD+N)
 - Uncompensated Gains of 2 to 20 (BTL Mode)
 - Thermal and Shot-circuit Protection
 - High Supply Ripple Rejection Ratio
- **PoE(Power over Ethernet)**
 - IEEE802.3af compliant
 - Input voltage range 36V to 57V
 - Short-circuit Protection
- **LCD Controller**
 - Display Type : FSTN, Positive
 - Built-in Controller : ST7567
 - Blue LED Backlight
 - Active Area : 35.48(W) x 22.38(H)
 - Number of Dots : 128 x 64

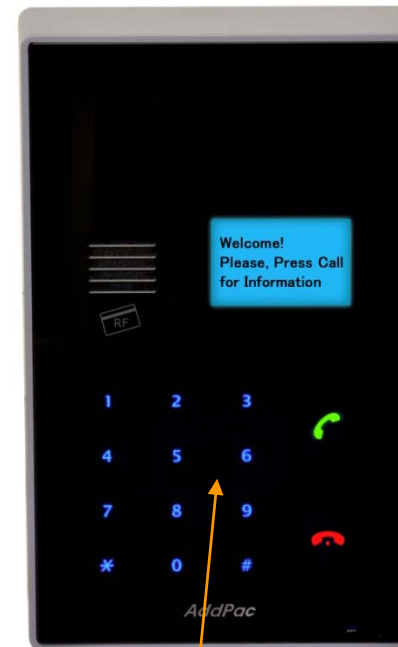
Hardware Specification

AP-AC20 IP Door Phone

RISC
CPU

High-end
DSP

- RF Card Sensor
 - Protocol Supported
 - ISO14443A/B all bit rates
 - > 106,212,424 and 848 kbps
 - Compatible to MiFare Classic
 - ISO15693 all modes
 - > 1.65/6.6 & 26.5 kbps
 - > Uplink 1 & 2 sub-carrier
 - Receiver
 - Rx Sensitivity down to 1mVrms
 - Rx Automatic Gain Control
 - Accept external baseband signal from external circuitry for frame level processing
 - Integrated signal strength indicator (SSI)
 - On-Chip Framing handler for supported standard
 - Transmitter
 - Typical proximity operating distance up to 100mm.
 - Software configurable modulation index
 - Maximum driving current up to 200 mA/PIN @ 5V
 - Accept external baseband signal for RF modulation
 - Wide Transmitter driver supply range from 2.7~7.0V



RF Card Sensor

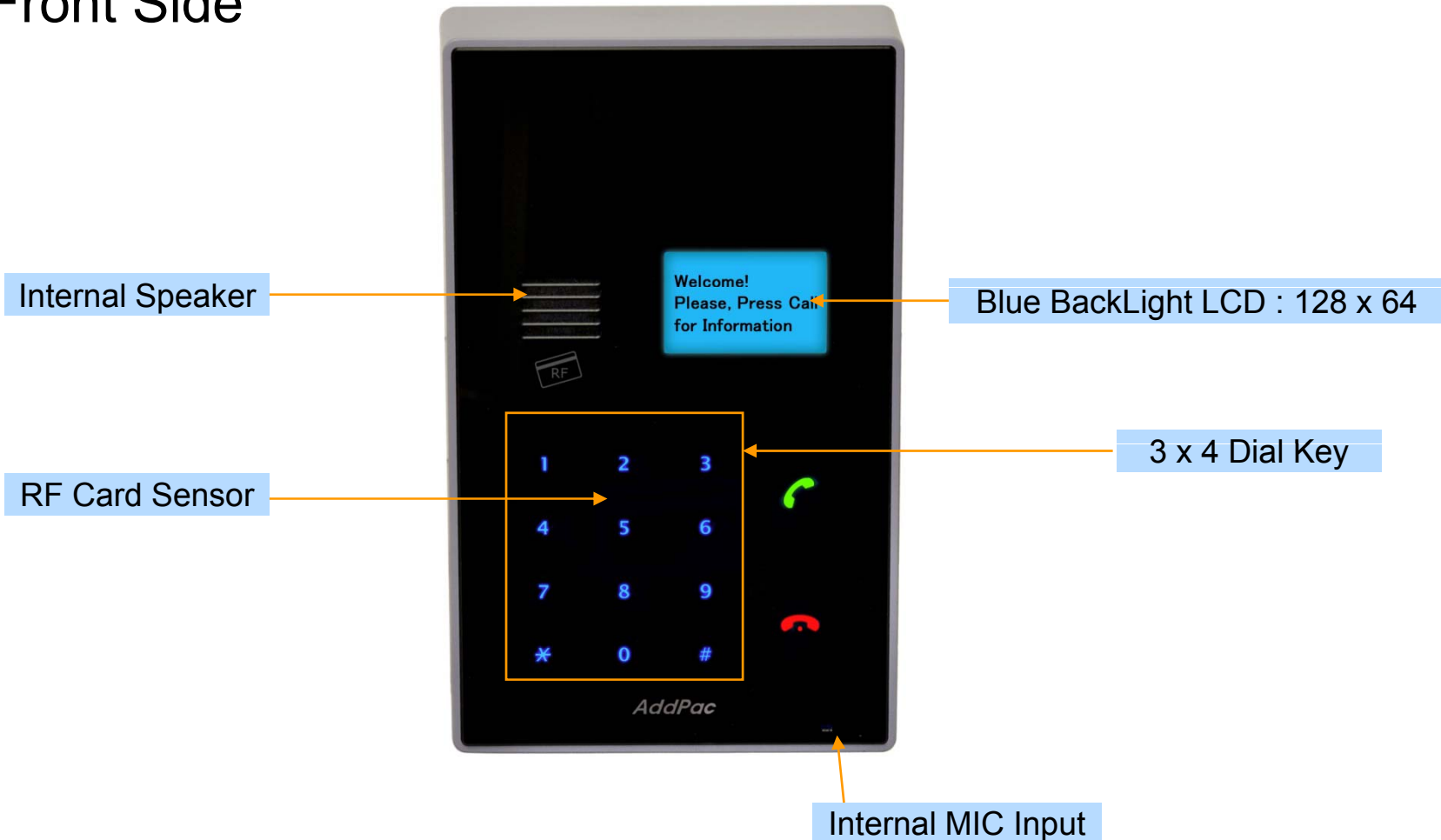
Hardware Specification

AP-AC20 IP Door Phone

RISC
CPU

High-end
DSP

Front Side



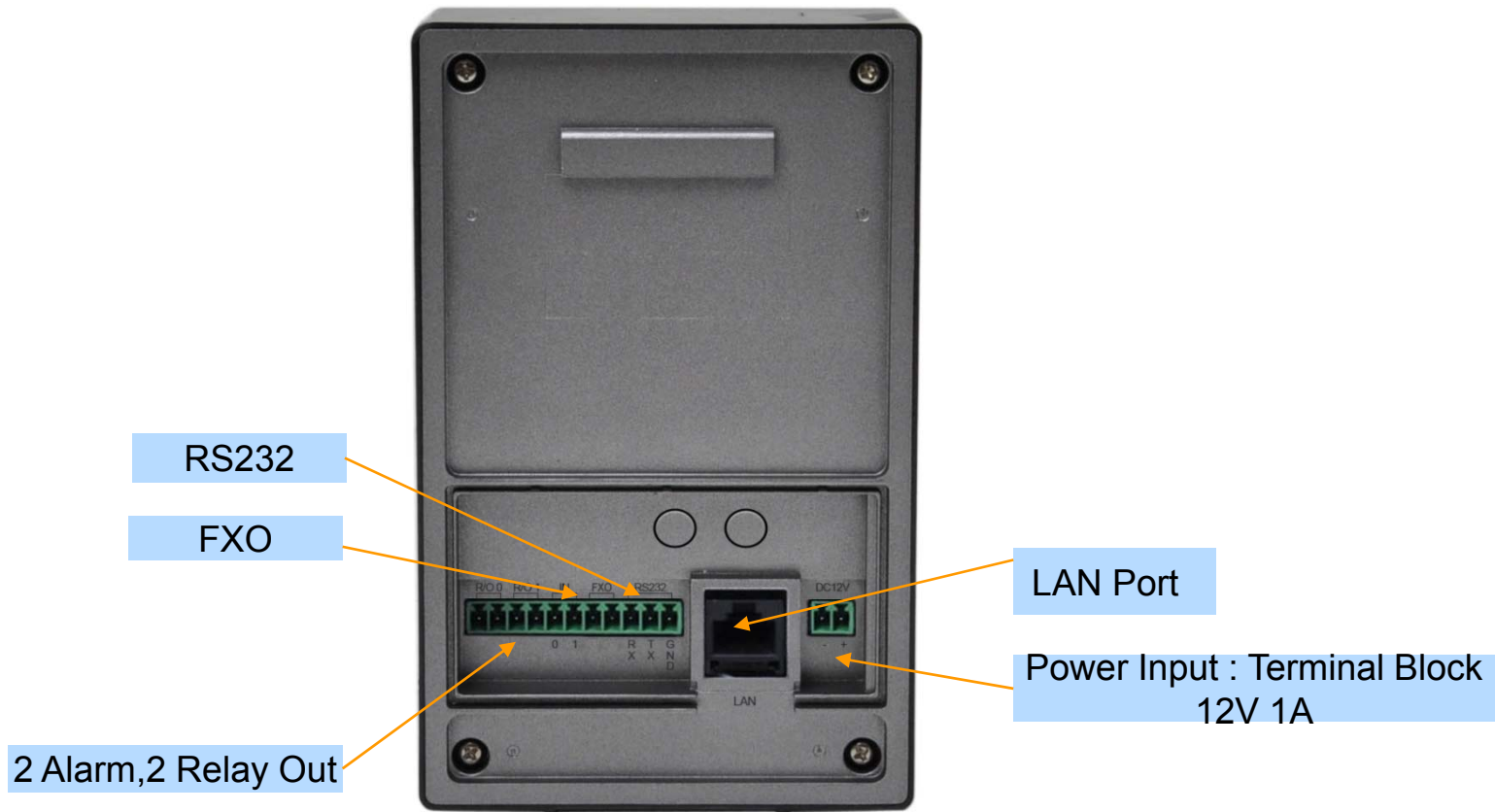
Hardware Specification

AP-AC20 IP Door Phone

RISC
CPU

High-end
DSP

Back Side (With FXO)



Hardware Specification

AP-AC20 IP Door Phone

RISC
CPU

High-end
DSP

Back Side



Wall Mount Bracket

Rubber Cover for light waterproof

Hardware Specification

AP-AC20 IP Door Phone

RISC
CPU

High-end
DSP

Power Supply

Terminal Block



12V 1A Power Adaptor

Example





Smart Web Manager for IP Door Phone

Smart Web Manager

- Main Screen
- System
 - Language
 - LAN Setup
 - DACS
 - Display
 - File Browser
- SIP Call & Media
 - SIP (Session Initiation Protocol)
 - Speed Dial
 - Media
- Miscellaneous
 - Door Control and Test
 - Network Test

Smart Web Manager : Main Screen

The screenshot displays the Smart Web Manager interface. At the top left, the logo 'Smart Web Manager' and the URL 'www.addpac.com' are visible. The top right corner contains four icons: a gear for 'Initialization', a power button for 'Rebooting', a floppy disk for 'Save', and a terminal icon for 'Telnet'. The main content area is divided into three sections:

- Menu Tree (Left):** A sidebar with three expandable sections: 'System' (Language, LAN Setup, DACS, Display Manager, File Browser), 'Call & Media' (Server SIP, Speed Dial, Media), and 'Miscellaneous' (Ping, Door Open).
- Configure Language (Center):** A configuration page with two radio buttons: '한국어' (unselected) and 'English' (selected). Below the buttons is an 'Apply' button with a green checkmark icon.
- System Information and Help Message (Right):** A panel with two sections: 'Information' (AddPac Technology, Model: VAC50_G2, DACS: (0), DACS Registration: Fail, SIP: 172.17.250.250(5060)) and 'Description' (Choose the basic language to be applied. English is set at default).

Menu Tree

Output Screen after
Menu Select

System Information and
Help Message

Smart Web Manager : SIP configuration

SIP (Session Initiation Protocol)

SIP server check if exist.

SIP Basic Information Display



Telephone Line Number and Password Configuration
Same Information is used when DACS is connected

Use SIP Server	<input checked="" type="radio"/> Yes <input type="radio"/> No
Primary SIP Server	<input type="text" value="172.17.250.250"/> <input type="text" value="5060"/> Server address and Port (default 5060)
Secondary SIP Server	<input type="text"/> <input type="text" value="5060"/> Server address and Port (default 5060)
Local Domain Name	<input type="text"/> (SIP userpart of authentication)
SIP Signaling Port	<input type="text" value="5060"/> (default 5060, between 1 to 65535)
Register Expiration	<input type="text" value="60"/> (in seconds, default 60, between 10 to 86400)
Session Re-Fresh	<input checked="" type="radio"/> INVITE <input type="radio"/> UPDATE
Session Expire Time	<input type="text" value="1800"/> (in seconds, default 1800, between 30 to 86400, 0 = disable)
Min-SE	<input type="text" value="1800"/> (in seconds, default 1800, between 30 to 86400)
Extension	<input type="text" value="1020"/> <input type="text"/> Extension Number, Password



Door Access Control Server

Door Access Control Server Comparison Table

Model		AP-ACS1500	AP-ACS1000
Service Features			
Registration User Number		200	100
Concurrent Call User Number		60	30
VoIP Signaling	Internal	SIP	SIP
	External	H.323/SIP	H.323/SIP
Powerful IVR, UMS, Media Service, User Presence Service		Support	Support
RTP Proxy Service (IPv6, Private IP)		Support	Support
Dual System Architecture for Redundancy		Support	Single System
Dual Power Supply		Support	Single Power
LAN Port		2	2
VoIP Module Slots for PSTN		N/A	2 Slots (8 Port Module)
VoIP Interface		N/A	FXS,FXO,E1/T1
Video Door Phone Control (RF card, etc)		Support	Support
Time & Attendance Management		Support(option)	Support(option)



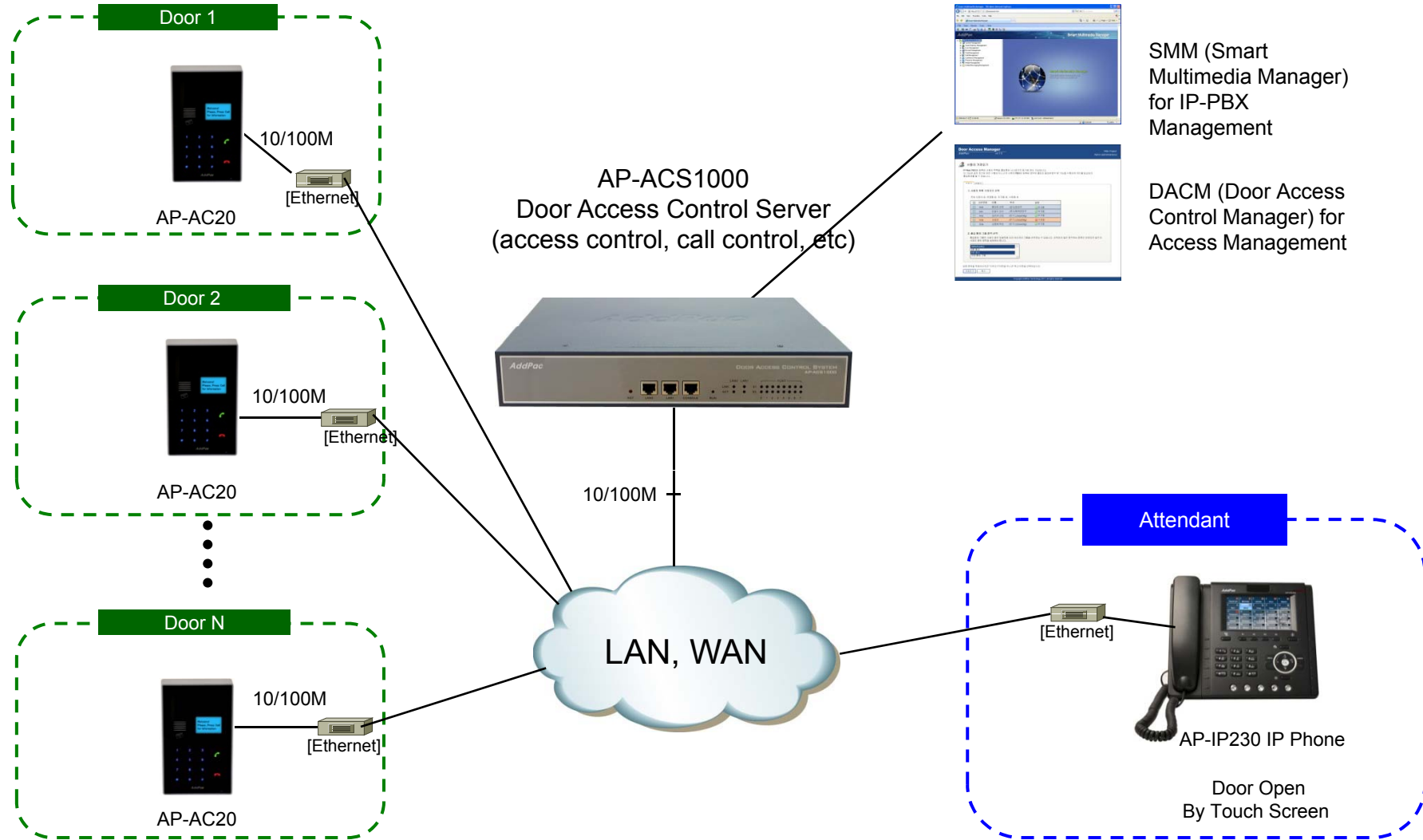
AP-ACS1000 Door Access Control Server

Contents

- DACS(Door Access Control Server) Network Diagram
- AP-ACS1000 DACS Main Features
- AP-ACS1000 DACS Hardware Specification
- DACS System Message Flow (Examples)
- DACM (Door Access Control Manager)
- Open API for Third Party Controller

Integrated Door Access Control and Call Control

AP-ACS1000 DACS (Door Access Control Server)



Main Features

AP-ACS1000 DACS (Door Access Control Server)

- Door Access Control Application System
- SIP Application Server, Proxy, Registrar and Location Server
- Multiple ITSP Trunk with SIP & H.323 Accounts Support
- Legacy PBX Interworking Service
- High Performance RISC & Programmable DSP Architecture
- Two(2) 10/100Mbps Fast Ethernet (IP Share ,etc)
- High Performance LAN-to-LAN Routing Capability
- Powerful Network Protocols (PPPoE, DHCP, Static Routing, etc)
- IPv4/IPv6 Dual Stack
- Firmware Upgradeable Architecture
- Smart Multimedia Manager for IP-PBX Management
- DACM(Door Access Control Manager)
- Advanced Voice QoS Mechanism
- Small, Light and Compact Design
- Two(2) VoIP Module Slots for Analog, Digital Interface

Hardware Specification

AP-ACS1000 DACS (Door Access Control Server)

- RISC Microprocessor Computing Power
- Main Chassis
 - Network Interface
 - Two(2) 10/100Mbps Fast Ethernet
 - One(1) RS-232C Console (RJ45)
 - Two(2) VoIP Module Slots for FXS, FXO etc



Hardware Specification

AP-ACS1000 DACS (Door Access Control Server)

AP-ACS1000 Front Side



LAN1 (10/100Mbps)

LAN0(10/100Mbps)

Console Port

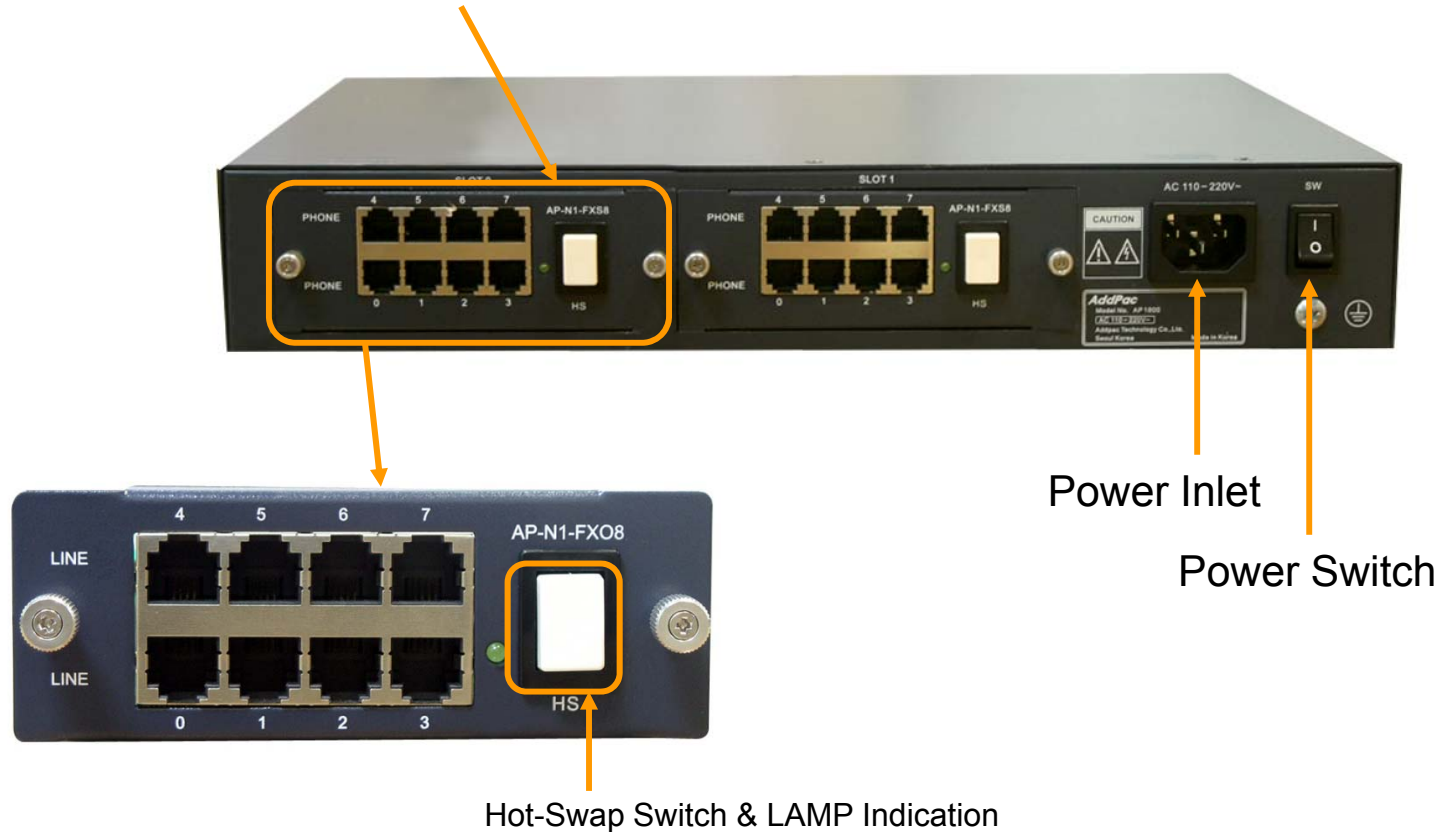
www.addpac.com

Hardware Specification

AP-ACS1000 DACS (Door Access Control Server)

AP-ACS1000 Back Side





PSTN Interface Module



Hardware Specification

AP-ACS1000 DACS (Door Access Control Server)

PSTN Interface Module

AP-N1-FXS8	 A black 8-port FXS voice processing module with RJ11 ports numbered 0-7 and a central switch labeled 'HS'.	8-Port FXS Voice Processing Module (8 x RJ11)
AP-N1-FXO8	 A black 8-port FXO voice processing module with RJ11 ports numbered 0-7 and a central switch labeled 'HS'.	8-Port FXO Voice Processing Module (8 x RJ11)
AP-N1-FXO4S4	 A black module with 4 FXO and 4 FXS ports, each with RJ11 connectors, and a central switch labeled 'HS'.	4-Port FXO and 4-Port FXS Voice Processing Module (8 x RJ11)
AP-N1-E1T1	 A black module with a green PCB, a single RJ45 port labeled 'E1/T1', and status LEDs for 'ACT' and 'LOS'.	1-Port VoIP Digital E1/T1 Interface Module(1xRJ45)



AP-ACS1500 Door Access Control Server

Main Features

AP-ACS1500 DACS (Door Access Control System)

- Door Access Control Application System + Call Manager
- SIP Application Server, Proxy, Registrar and Location Server
- Multiple ITSP Trunk with SIP & H.323 Accounts Support
- High Performance RISC Architecture
- Smart Multimedia Manager for Call Manager
- DACM(Door Access Control Manager) for IP Door Phone Control (RF Card, Fingerprint Module, etc)
- IPv4/IPv6 based Dual Network Protocol Support
- Fault Tolerant and Scalability Architecture
- Firmware Upgradeable Architecture
- Dual System Redundancy Architecture
 - Two(2) Fast Ethernet Interface / System
- Dual Redundancy Power

Hardware Features

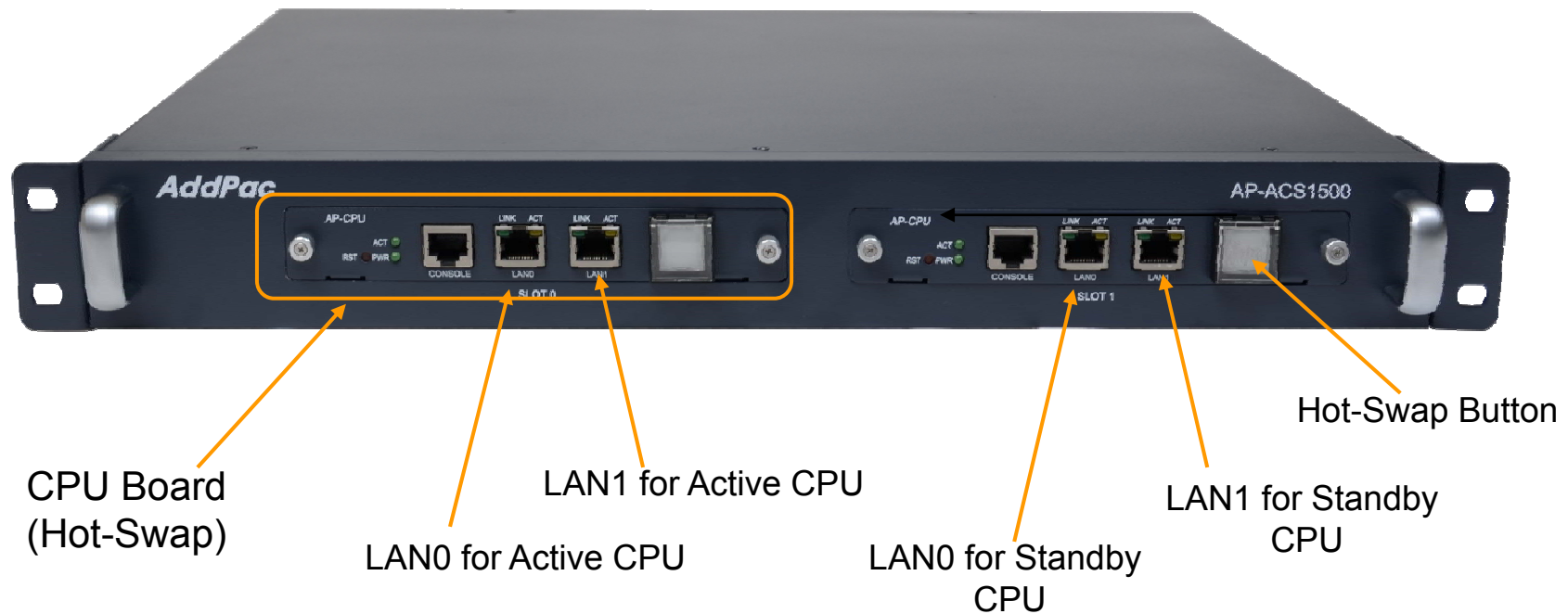
AP-ACS1500 DACS (Door Access Control System)

- High-End Microprocessor Computing Power
- Main Chassis
 - Dual Redundancy CPU Boards for System Fault Tolerant
 - Two(2) 10/100Mbps Fast Ethernet
 - One(1) RS-232C Console (RJ45)
 - Dual Redundancy Power Supply
 - Hot-Swap Features

Hardware Specification

AP-ACS1500 DACS (Door Access Control System)

AP-ACS1500 Front Side



Hardware Specification

AP-ACS1500 DACS (Door Access Control System)

AP-ACS1500 Back Side



Plug for PSU B

Plug for PSU A

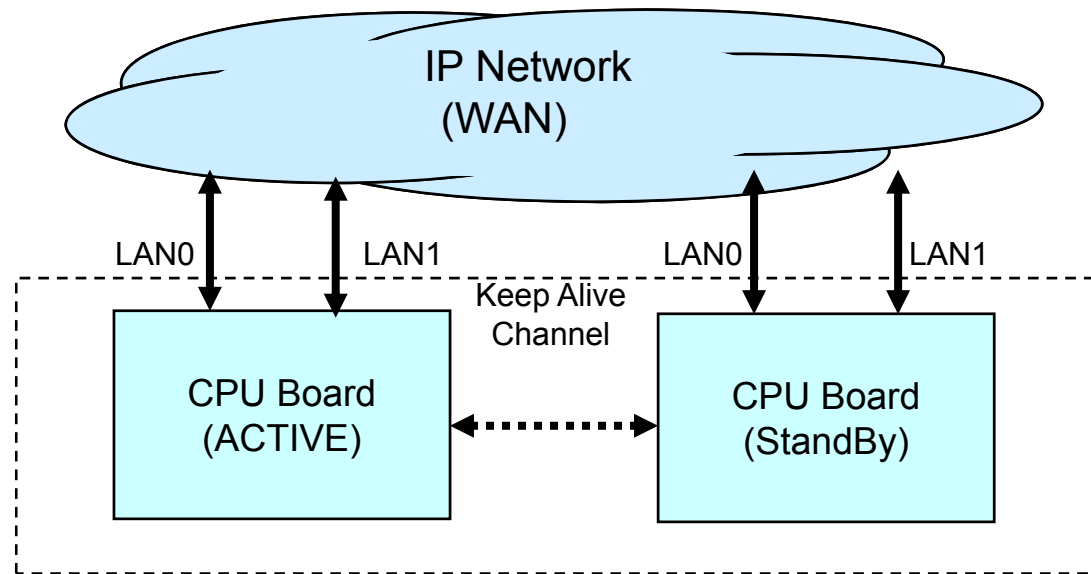


Access Control Server Redundancy Scheme

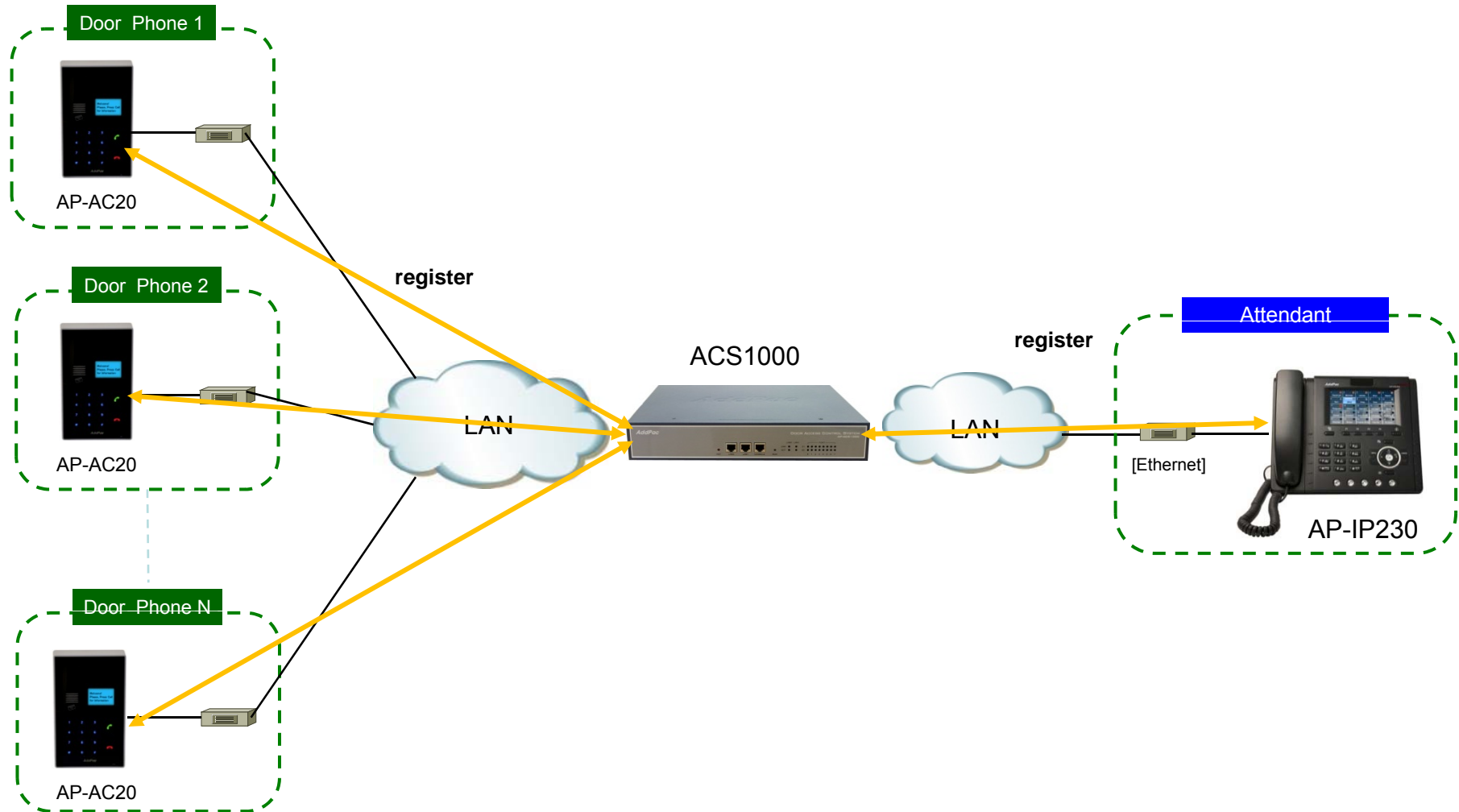
System Redundancy Features

AP-ACS1500 DACS (Door Access Control System)

System Block Diagram

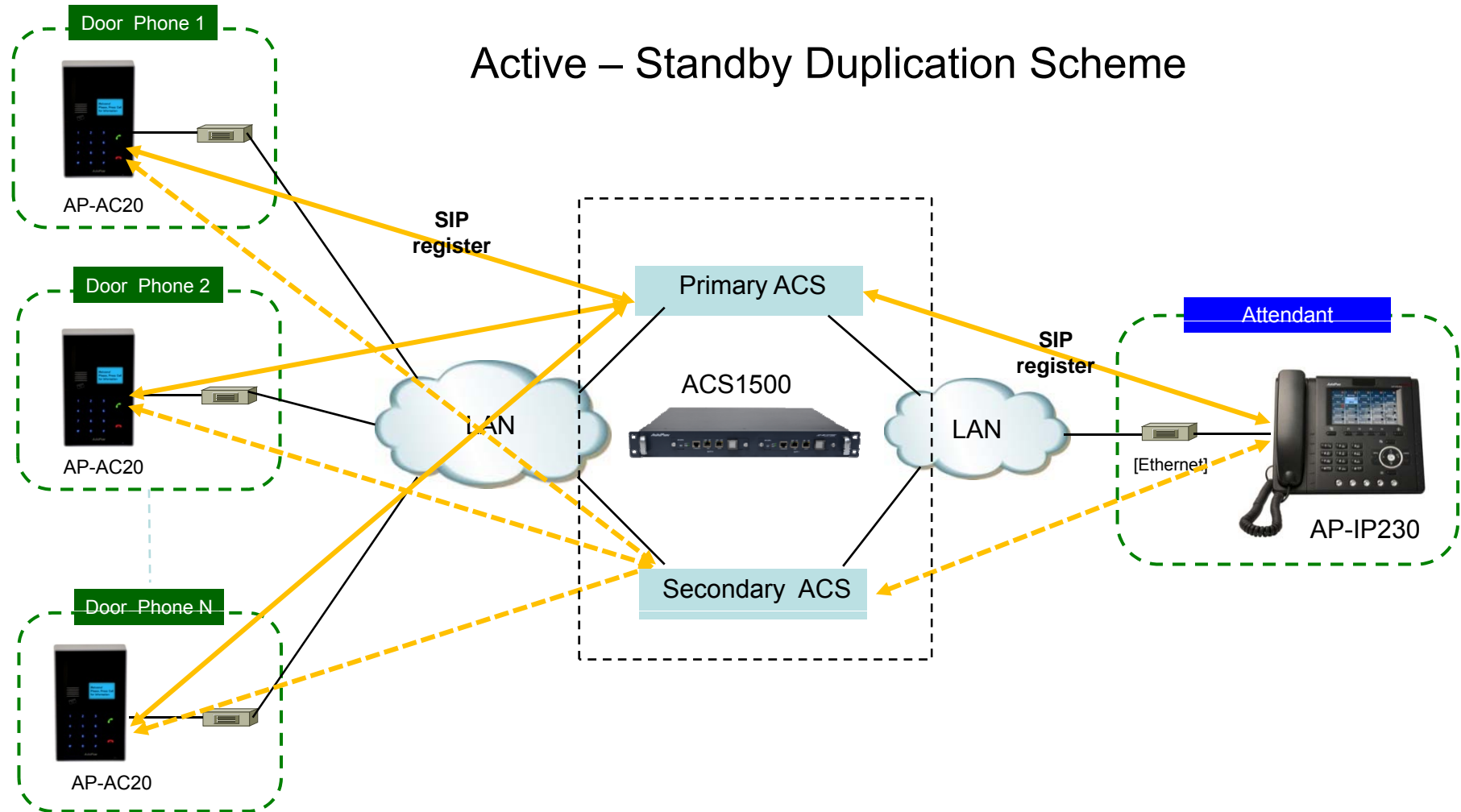


ACS Network Diagram



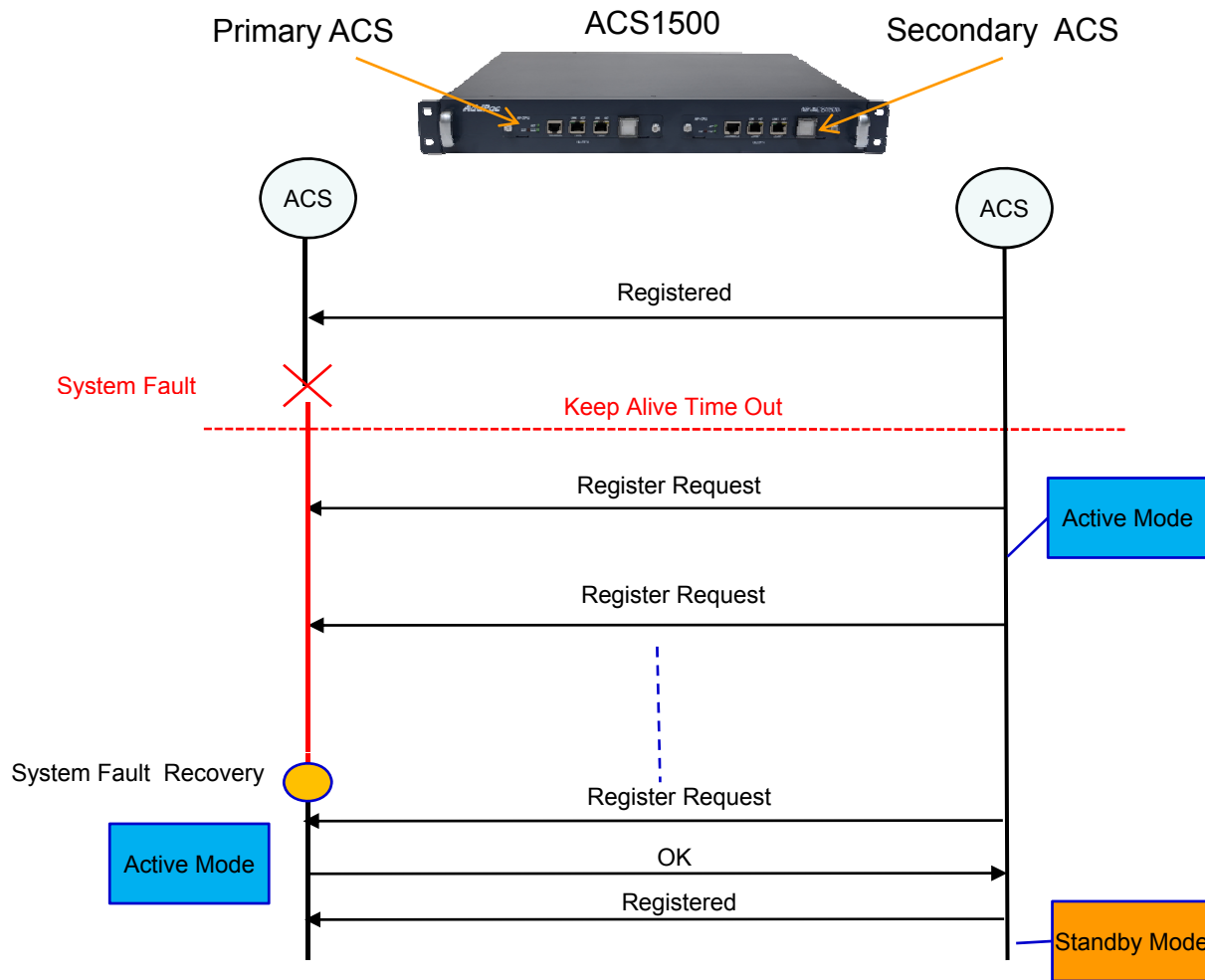
ACS Redundancy Scheme Network Diagram

- Call Manager Function



ACS Redundancy Scheme Network Diagram

- Door Access Control Function



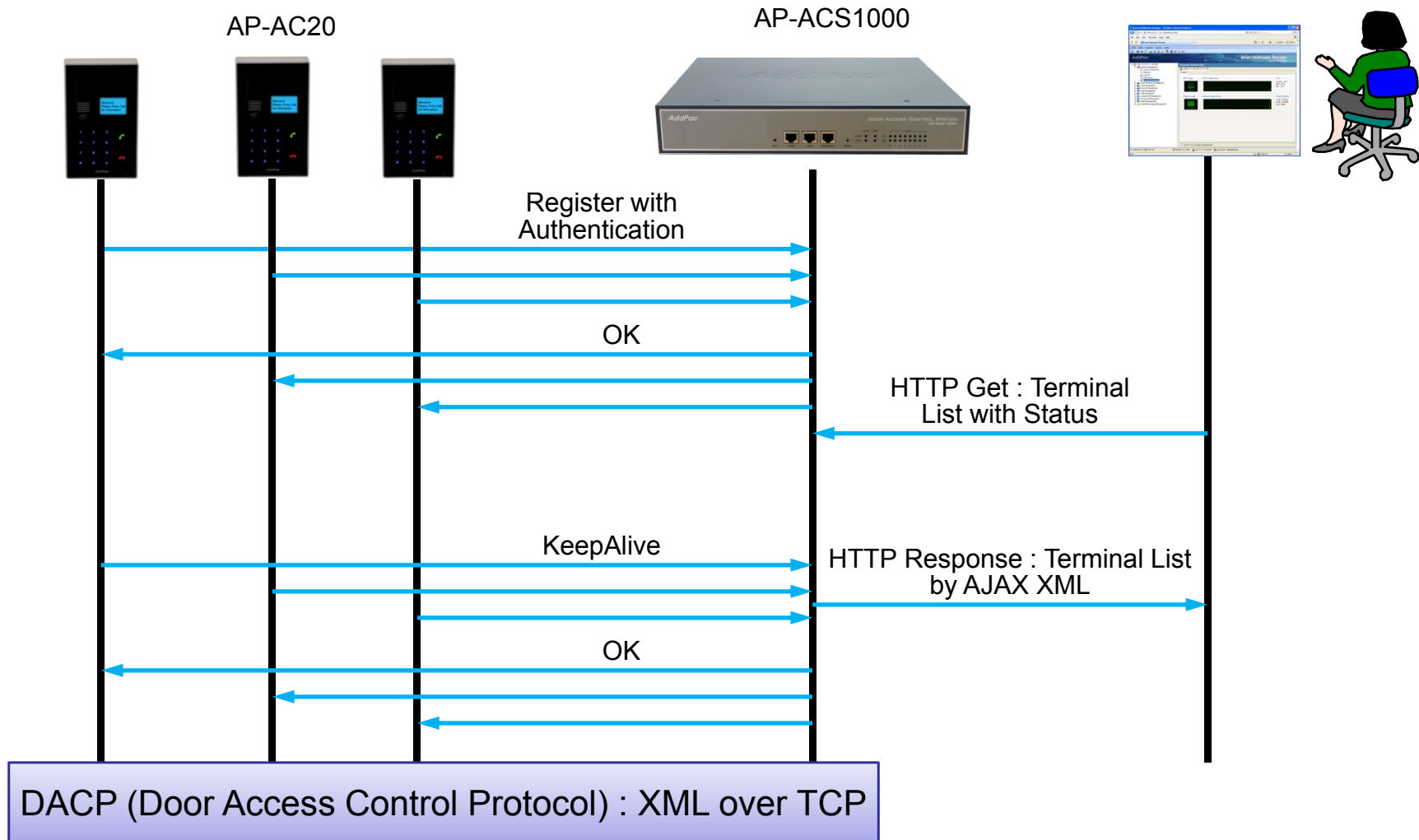


DACS

System Message Flow

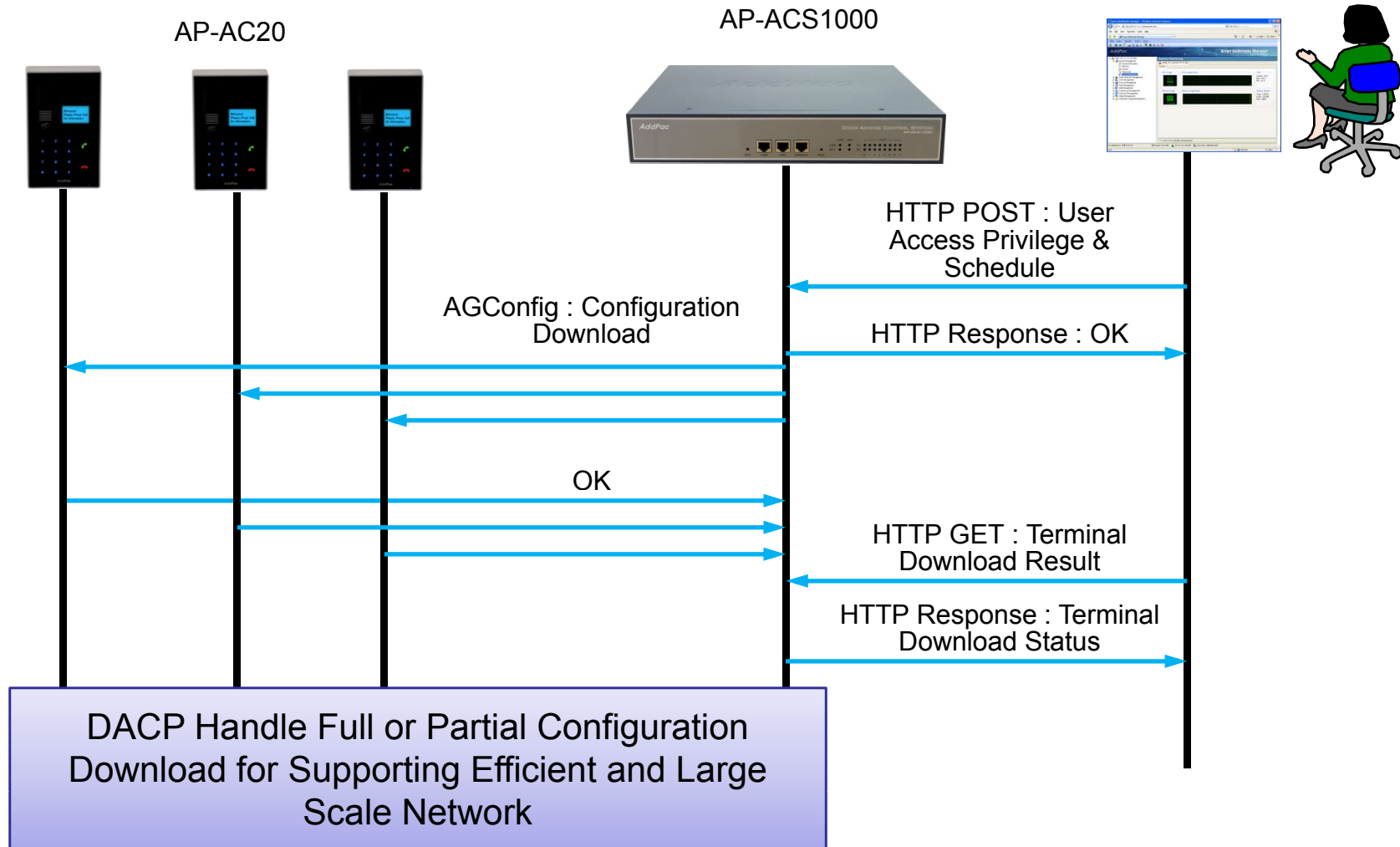
DACS System Message Flow

Registration and KeepAlive



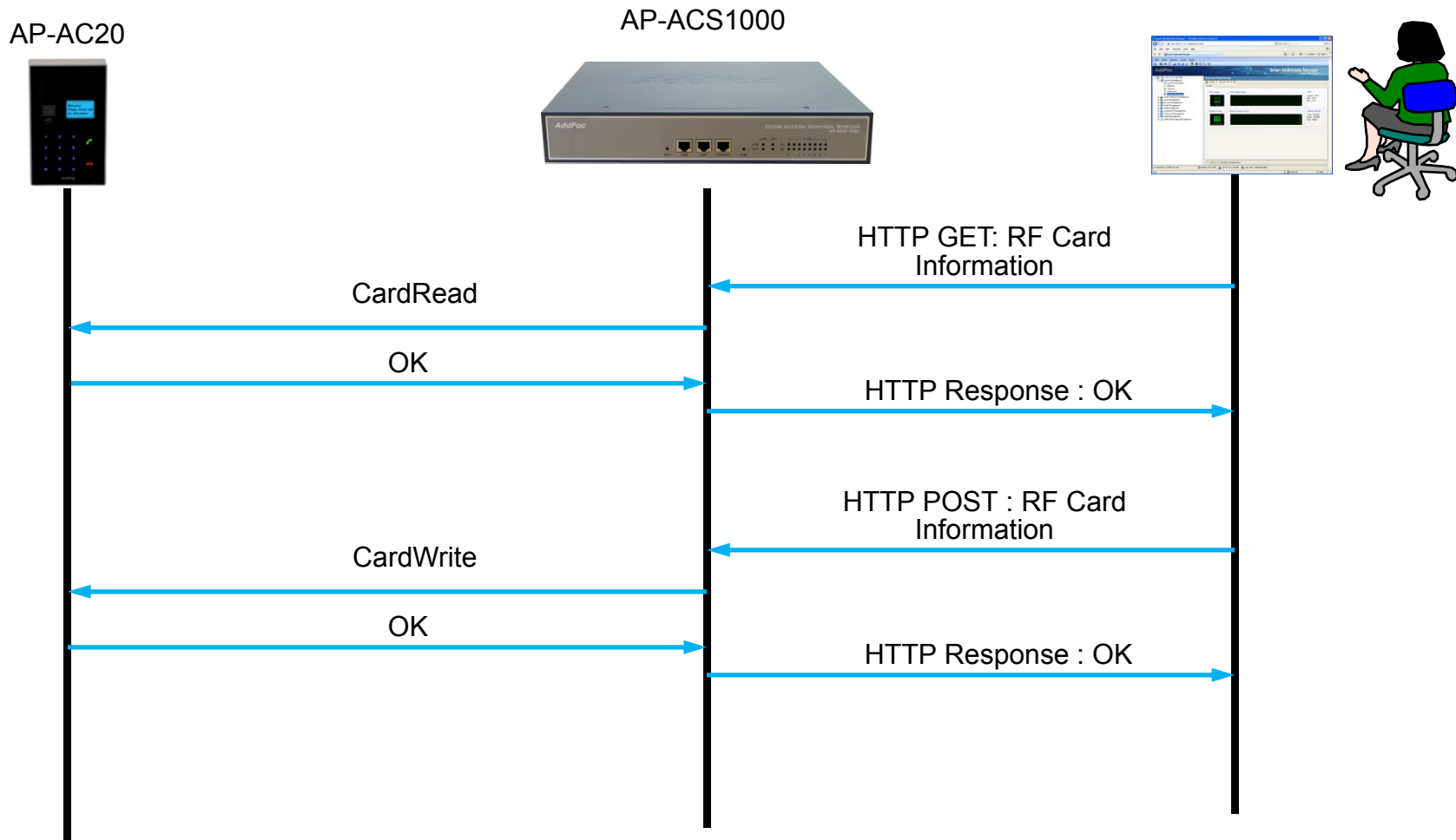
DACS System Message Flow

Access Privilege and Schedule Download



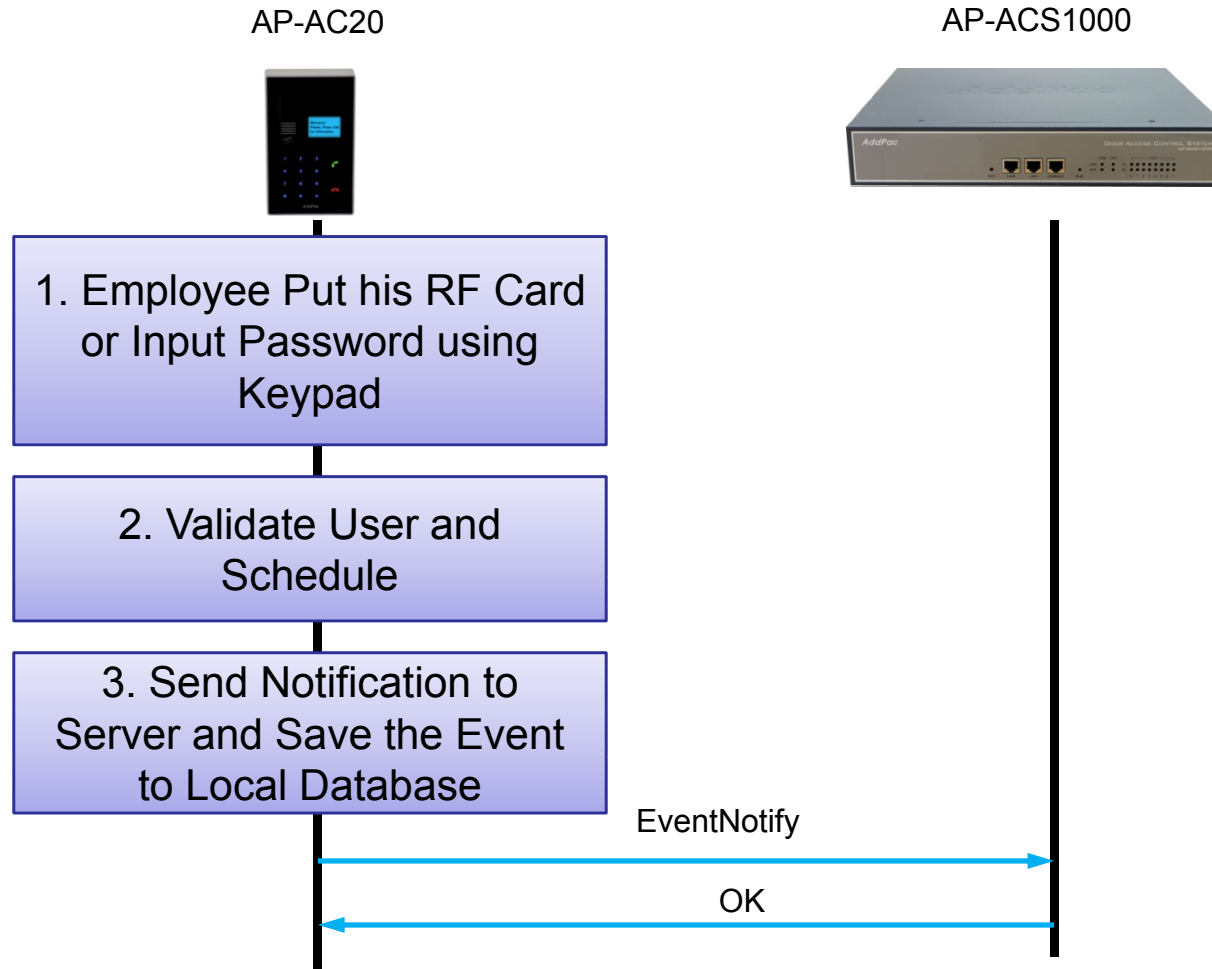
DACS System Message Flow

RF Card Read/Write and Registration



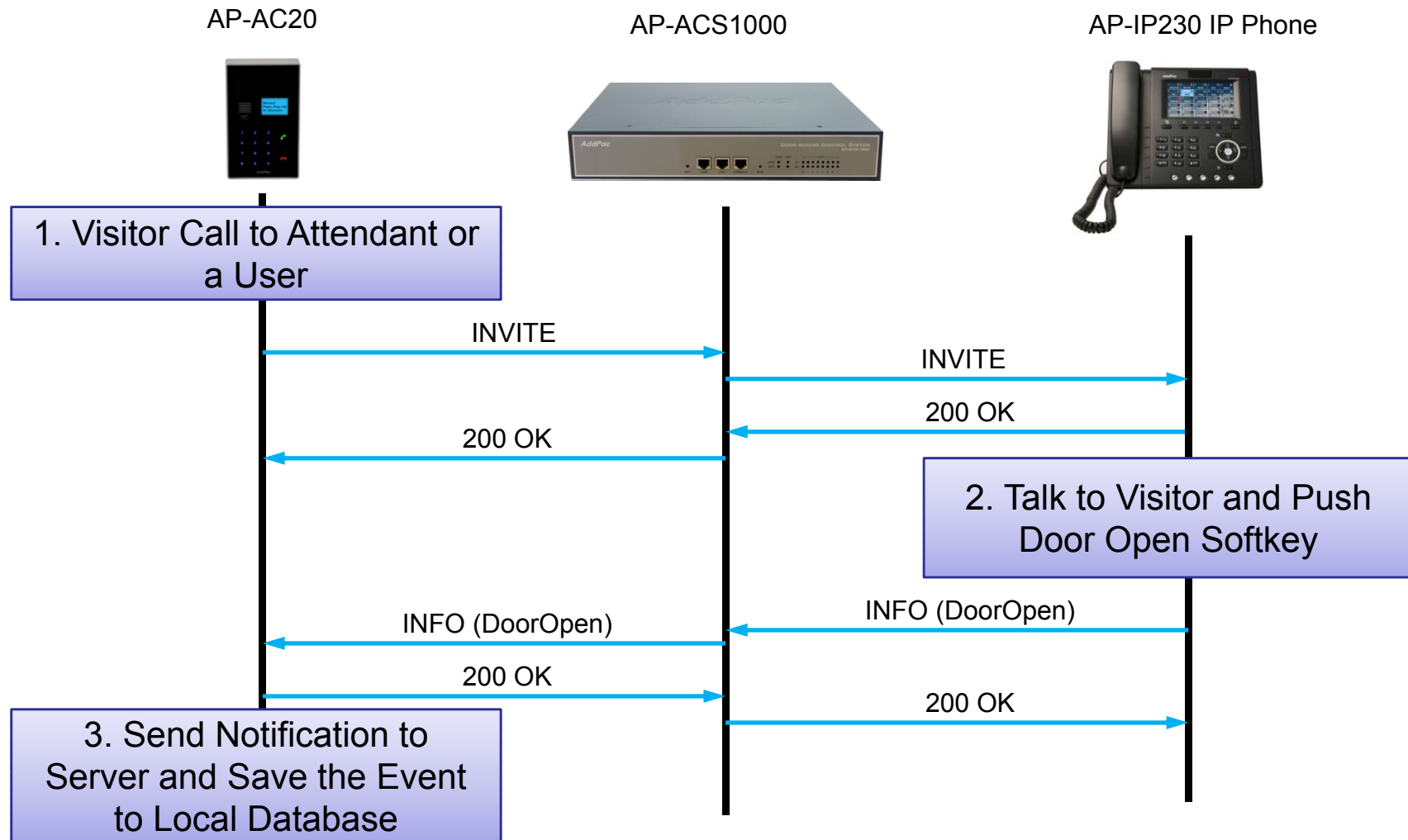
DACS System Message Flow

Door Open by RF Card or Password



DACS System Message Flow

Door Open by Other Terminal





Door Access Control Manager for AP-ACS1000

DACM (Door Access Control Manager)

Main Web Page

Door Access Control Manager
AddPac ver 1.0

Help | logout
Admin (administrators)

사용자 및 단말 관리 | 카드 관리 | 출입 통제 관리 | 로그 및 보고서

화면이 갱신될 때마다 데이터 변경 여부를 판단하여 상단에 표시한다.
'여기'를 선택하여 단말기 전송 화면 실행

AddPac Technology의 출입 통제 관리 시스템에 오신것을 환영합니다.

본 시스템은 AddPac IP-Next 시스템과 연계되어 출입은 접근에 대한 사용자 및 출입 통제에 관련된 설정을 관리합니다. 아래 각 메뉴를 통해서 해당 기능을 수행할 수 있으며 상세한 설정은 왼쪽의 각 카테고리 메뉴 별로 접근할 수 있습니다.

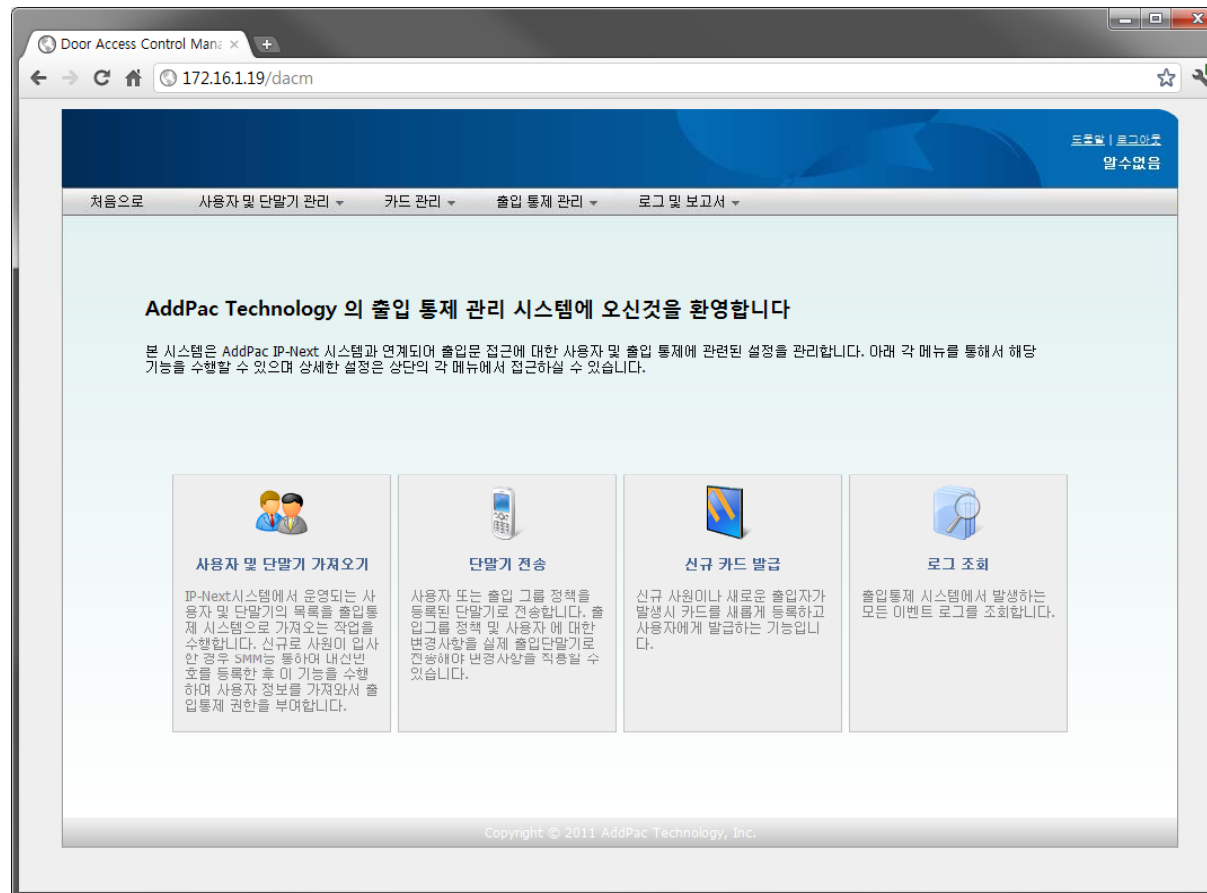
사용자 가져오기 | 단말기 전송 | 신규 카드 발급 | 로그 조회

메뉴를 선택하여 전송 화면 실행

Copyright AddPac Technology 2011, all rights reserved

DACM (Door Access Control Manager)

Main Web Page



DACM (Door Access Control Manager)

User Management

Door Access Manager
AddPac ver 1.0 Help | logout
Admin (administrators)

 사용자 가져오기

IP-Next PBX에 등록된 사용자 목록을 출입통제 시스템으로 동기화 하는 기능입니다.
이 기능은 설치 초기에 한번 수행하거나 신규 사원이 PBX에 등록된 경우에 출입이 필요한 경우 본 기능을 수행하여 카드를 발급하고 출입통제를 할 수 있습니다.

사용자

1. 사용자 목록 가져오기 선택

전체 사용자: 0, 변경됨: 0, 추가됨: 0, 삭제됨: 0

<input checked="" type="checkbox"/>	내선번호	이름	부서	상태
<input checked="" type="checkbox"/>	1000	홍길동 과장	/본사/영업부	➕ 추가됨
<input checked="" type="checkbox"/>	1001	김철수 대리	/본사/해외영업부	➕ 추가됨
<input checked="" type="checkbox"/>	1002	최진석 선임	/연구소/SmartMgt	➕ 추가됨
<input checked="" type="checkbox"/>	1003	권효준	/연구소/SmartMgt	➖ 삭제됨
<input checked="" type="checkbox"/>	1004	권중휘 책임	/연구소/SmartMgt	➕ 추가됨

2. 출입 통제 그룹 정책 선택

출입통제 그룹은 사용자 별로 일괄 적용되며 여러개의 그룹을 선택하실 수 있습니다. 선택하지 않은 경우에는 정책이 반영되지 않으며 사용자 별로 정책을 설정해야 합니다.

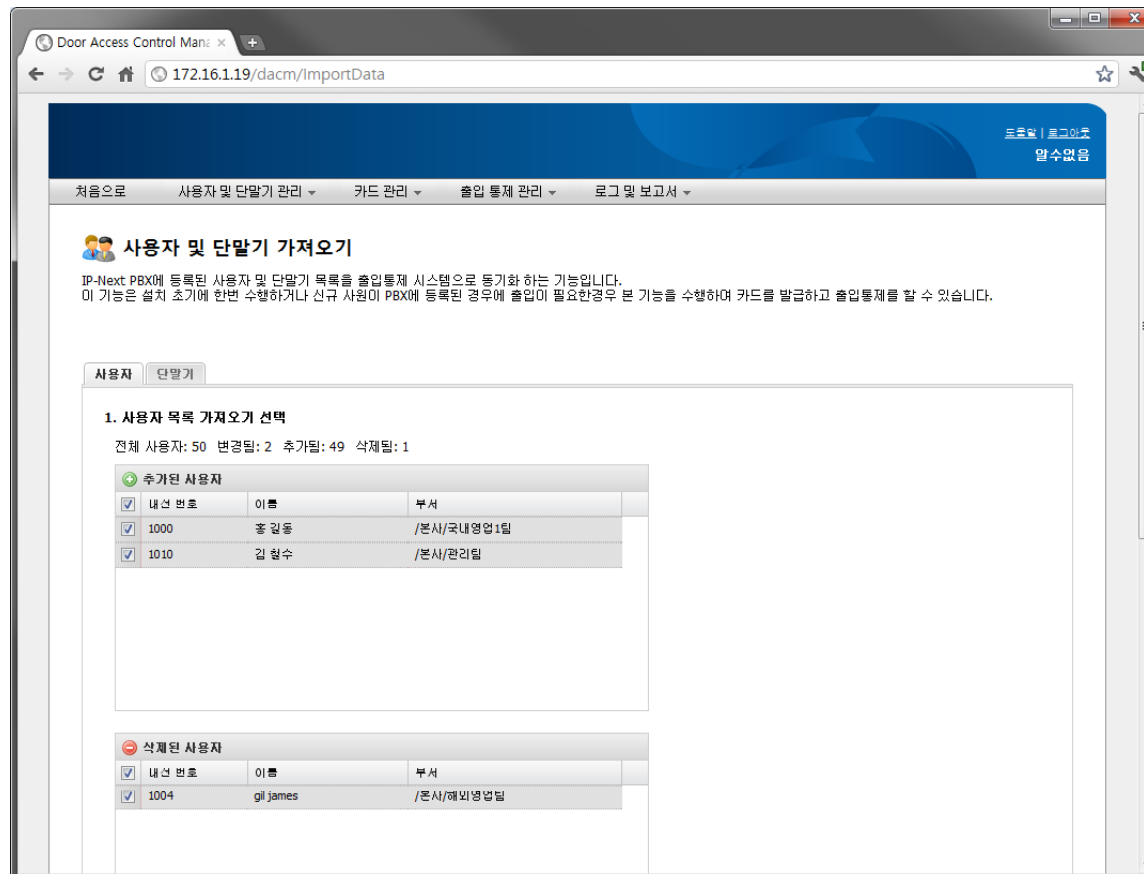
default policy
2층 출입
5층 출입
방장 출입 그룹

설정 항목을 적용하시려면 '가져오기'버튼을 아니면 '취소'버튼을 선택하십시오.

Copyright AddPac Technology 2011, all rights reserved

DACM (Door Access Control Manager)

User Management



DACM (Door Access Control Manager)

Access Group Management

Door Access Control Man: x

172.16.1.19/dacm/accessGroupList

드문발 | 로그인
알수없음

처음으로 사용자 및 단말기 관리 카드 관리 출입 통제 관리 로그 및 보고서

출입 통제 그룹

등록된 출입단말기에 대해서 출입 권한 리스트 조회하거나 신규로 등록 및 수정할 수 있습니다.
출입 통제 그룹은 위/아래 화살표를 이용하여 우선순위를 조정할 수 있습니다.

출입 통제 그룹 등록

그룹 이름	설명	스케줄 정책	생성 날짜	수정	삭제
no restriction	출입제한 없음	N/A	2011-06-27 12:23:12		
3F_only	3층만 출입	N/A	2011-06-27 12:23:12		
research_only	연구수 출입 정보	working_day	2011-06-27 12:23:12		
5Floor	5층연구수	working_day	2011-06-27 12:23:12		
관리사무소	관리사무소 출입 정보	working_day	2011-06-27 12:23:12		

페이지 1 / 1

Displaying 1 - 5 of 5

DACM (Door Access Control Manager)

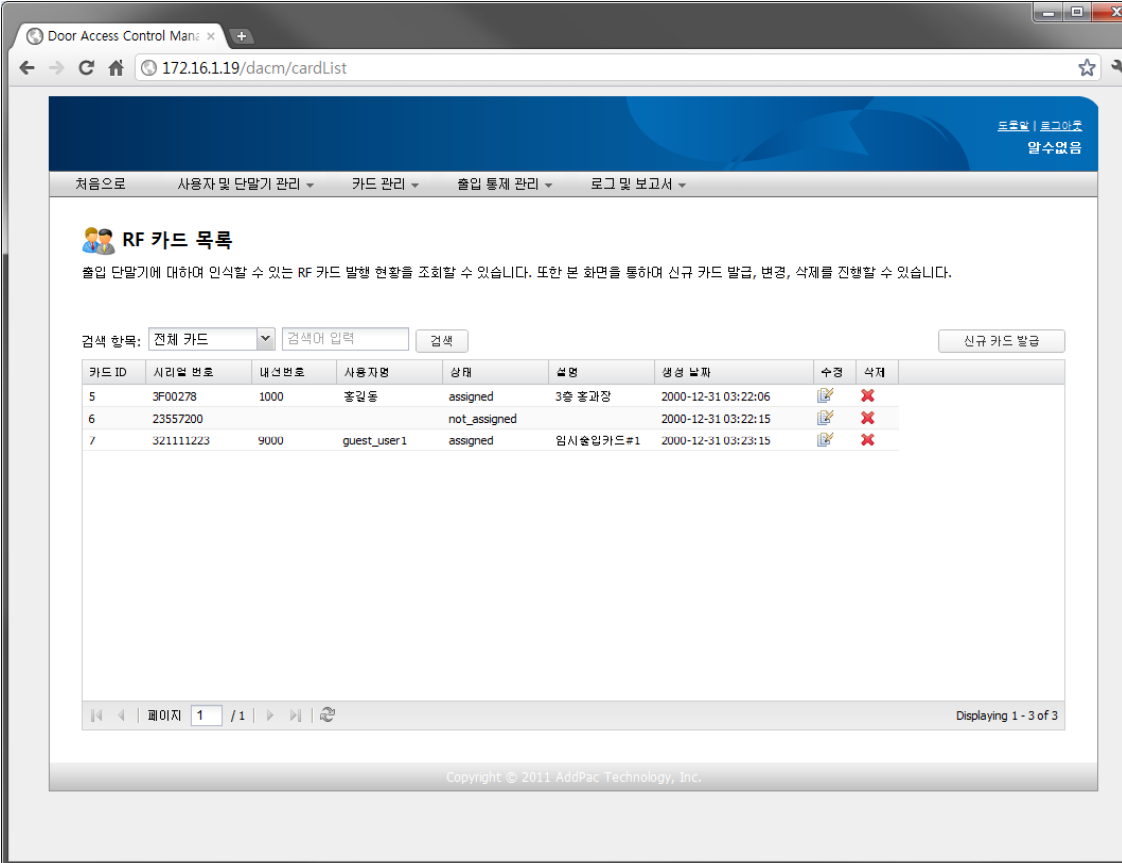
Configuration Download to Terminal

The screenshot shows the 'Door Access Control Manager' web interface. The header includes the title 'Door Access Control Manager', the version 'AddPac ver 1.0', a warning message '설정이 변경되었습니다. 설정을 반영하시려면 '여기'를 클릭하여 단말기 동기화를 하십시오', and a 'Help | logout Admin (administrators)' link. The main navigation bar contains '사용자 및 단말 관리', '카드 관리', '출입 통제 관리', and '로그 및 보고서'. The current page is titled '단말기 전송' (Terminal Transfer) and contains the following text: '사용자 또는 출입 그룹 정책을 해당 단말기로 전송합니다. 전체 단말기 또는 선택된 단말기로 전송할 수 있습니다.' Below this is a table with columns for '장비명' (Device Name), 'IP 주소' (IP Address), '접속 상태' (Connection Status), '변경 여부' (Change Status), and '전체 동기화' (Full Sync). The table lists four devices: '3F door phone' (IP: 172.16.10.5, Status: 접속됨, Change: 변경사항 없음), 'lobby entrance' (IP: 172.16.5.20, Status: 접속끊김, Change: 변경됨), '5F door phone' (IP: 172.16.10.6, Status: 접속됨, Change: 변경됨), and 'factory main' (IP: 172.16.10.8, Status: 접속됨, Change: 변경사항 없음, Full Sync: 전체 반영 필요). A yellow callout box points to the '전체 동기화' column with the text: '동기화가 필요 없는 경우에는 check 가 해지된다. 강제로 하고자 하는 경우 check하면 된다.' Below the table is the instruction: '위 선택된 단말기에 데이터를 전송하려면 아래 '전송' 버튼을 선택하거나 작업을 취소하시려면 '취소' 버튼을 선택하십시오.' and two buttons: '전송' and '취소'. The footer contains the text 'Copyright AddPac Technology 2011. all rights reserved.'

장비명	IP 주소	접속 상태	변경 여부	전체 동기화
<input type="checkbox"/> 3F door phone	172.16.10.5	접속됨	변경사항 없음	
<input checked="" type="checkbox"/> lobby entrance	172.16.5.20	접속끊김	변경됨	
<input checked="" type="checkbox"/> 5F door phone	172.16.10.6	접속됨	변경됨	
<input checked="" type="checkbox"/> factory main	172.16.10.8	접속됨	변경사항 없음	전체 반영 필요

DACM (Door Access Control Manager)

RF Card Management



Door Access Control Manager

172.16.1.19/dacm/cardList

로그아웃 | 로그인
알수없음

처음으로 사용자 및 단말기 관리 카드 관리 출입 통제 관리 로그 및 보고서

RF 카드 목록

출입 단말기에 대하여 인식할 수 있는 RF 카드 발행 현황을 조회할 수 있습니다. 또한 본 화면을 통하여 신규 카드 발급, 변경, 삭제를 진행할 수 있습니다.

검색 항목: 전체 카드 검색어 입력 검색 신규 카드 발급

카드 ID	시리얼 번호	내선번호	사용자명	상태	설명	생성 날짜	수정	삭제
5	3F00278	1000	종업원	assigned	3층 종과장	2000-12-31 03:22:06		
6	23557200			not_assigned		2000-12-31 03:22:15		
7	321111223	9000	guest_user1	assigned	임시출입카드#1	2000-12-31 03:23:15		

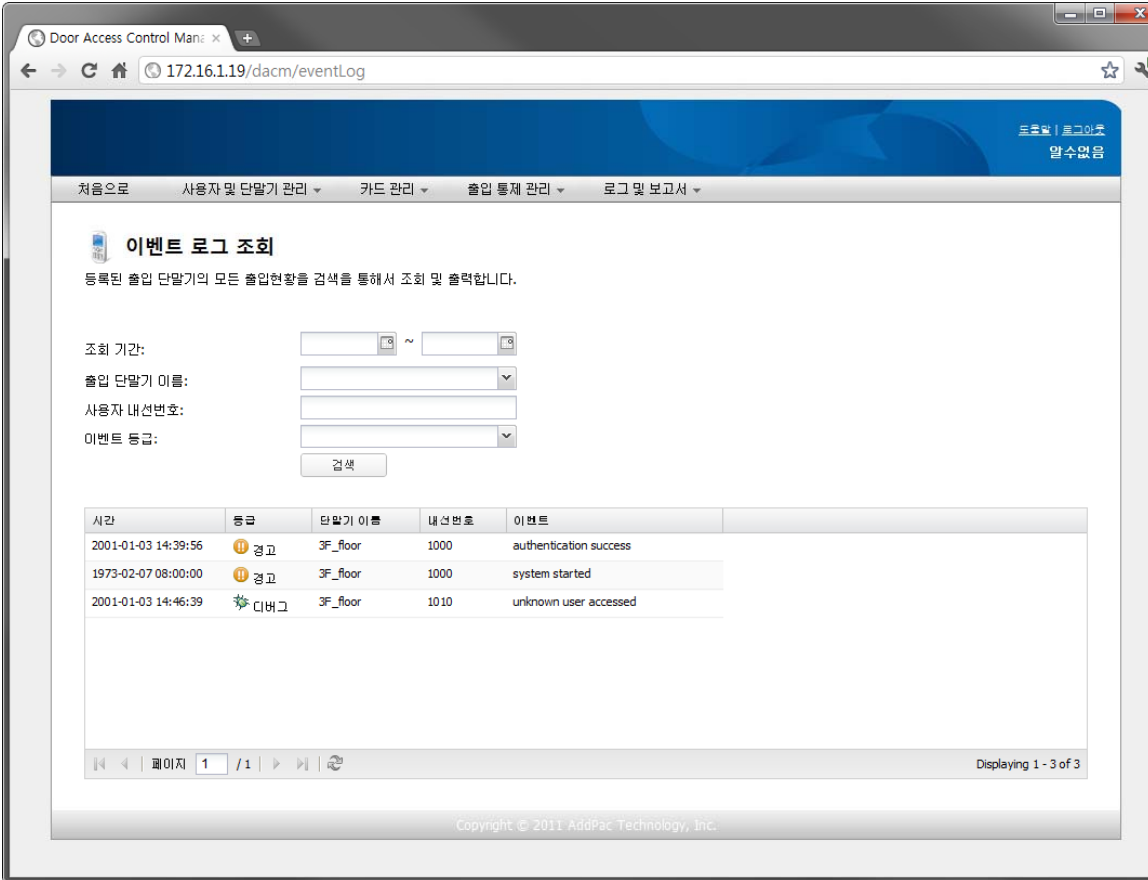
페이지 1 / 1

Displaying 1 - 3 of 3

Copyright © 2011 AddPac Technology, Inc.

DACM (Door Access Control Manager)

Access Log Management



Door Access Control Manager

172.16.1.19/dacm/eventLog

도호빌 로그아웃
알수없음

처음으로 사용자 및 단말기 관리 카드 관리 출입 통제 관리 로그 및 보고서

이벤트 로그 조회

등록된 출입 단말기의 모든 출입현황을 검색을 통해서 조회 및 출력합니다.

조회 기간: [] ~ []

출입 단말기 이름: []

사용자 내선번호: []

이벤트 등급: []

검색

시간	등급	단말기 이름	내선번호	이벤트
2001-01-03 14:39:56	경고	3F_floor	1000	authentication success
1973-02-07 08:00:00	경고	3F_floor	1000	system started
2001-01-03 14:46:39	디버그	3F_floor	1010	unknown user accessed

페이지 1 / 1

Displaying 1 - 3 of 3

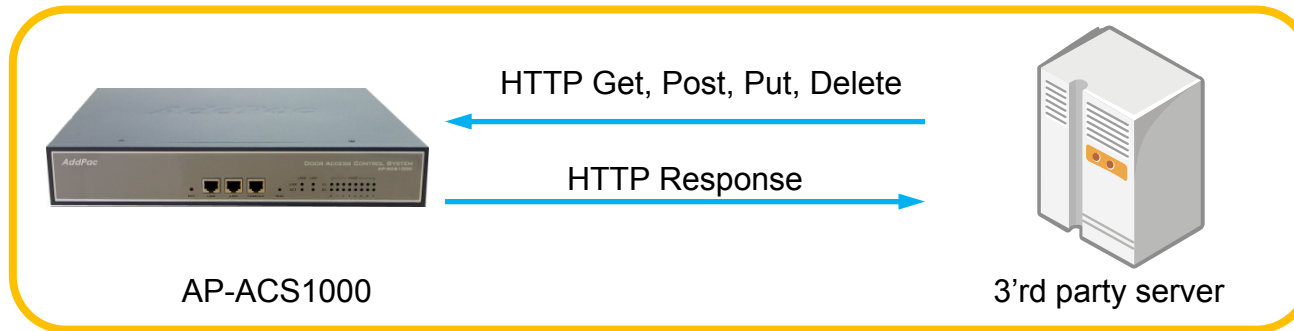
Copyright © 2011 AddPac Technology, Inc.



AP-ACS1000 Open API

Open API

Open API for 3'rd Party Management System



- HTTP based RESTful Open API for Door Access Management
- XML based Flexible and Expandable Message Contents
- Provides More than 40 APIs as Bellow
 - user_list(GET), user(GET, POST, PUT, DELETE), ...
 - terminal_list(GET), terminal(GET, POST, PUT, DELETE), ...
 - access_group(GET, POST, PUT, DELETE), priority (PUT), ...
 - card_list(GET), card(POST, PUT, DELETE), ...
 - schedule_template(GET, POST, PUT, DELETE), rule(GET, POST, PUT, DELETE) ,...

IP Phone Solution



AddPac

www.addpac.com

IP Phone Comparison Table

	AP-IP300	AP-IP230
		
LCD Size	4.3 Inch Color LCD	5 Inch Color LCD
Touch Screen	N/A	Support
Speed-Dial Keys	25 Key with Presence LED	Touch Screen based 25 Keys
Voice Codec	G.711/G.726/ G.729/G.723	G.711/G.726/ G.729/G.723
Signaling	H.323/SIP	H.323/SIP
3-Party Conversation	Support	Support
LAN Port	2	2
PoE(Optional)	Support	Support
FXO(Optional)	Support	Support



AP-IP300 IP Phone

IP Phone

AP-IP300 Premium IP Phone

RISC
CPU

High-end
DSP

Hardware Specification

- RISC Microprocessor Computing Power
- 4.3 Color LCD
- 25 Speed Dial Keys with User Presence LED
- High-end Programmable DSP Hardware Architecture
- High quality Audio and Voice Interface
 - Stereo Audio Input & Output Connector
- Network Interface
 - Two(2) 10/100Mbps Fast Ethernet
 - One(1) USB 1.0 Interface
- PSTN Interface
 - One(1) FXO(RJ11) interface
- Power Supply
 - *External DC adaptor (5V)*
 - *Power Switch*
 - *PoE (Power over Ethernet)*

IP Phone

AP-IP300 Premium IP Phone

RISC
CPU

High-end
DSP

Hardware Specification



AddPac

www.addpac.com

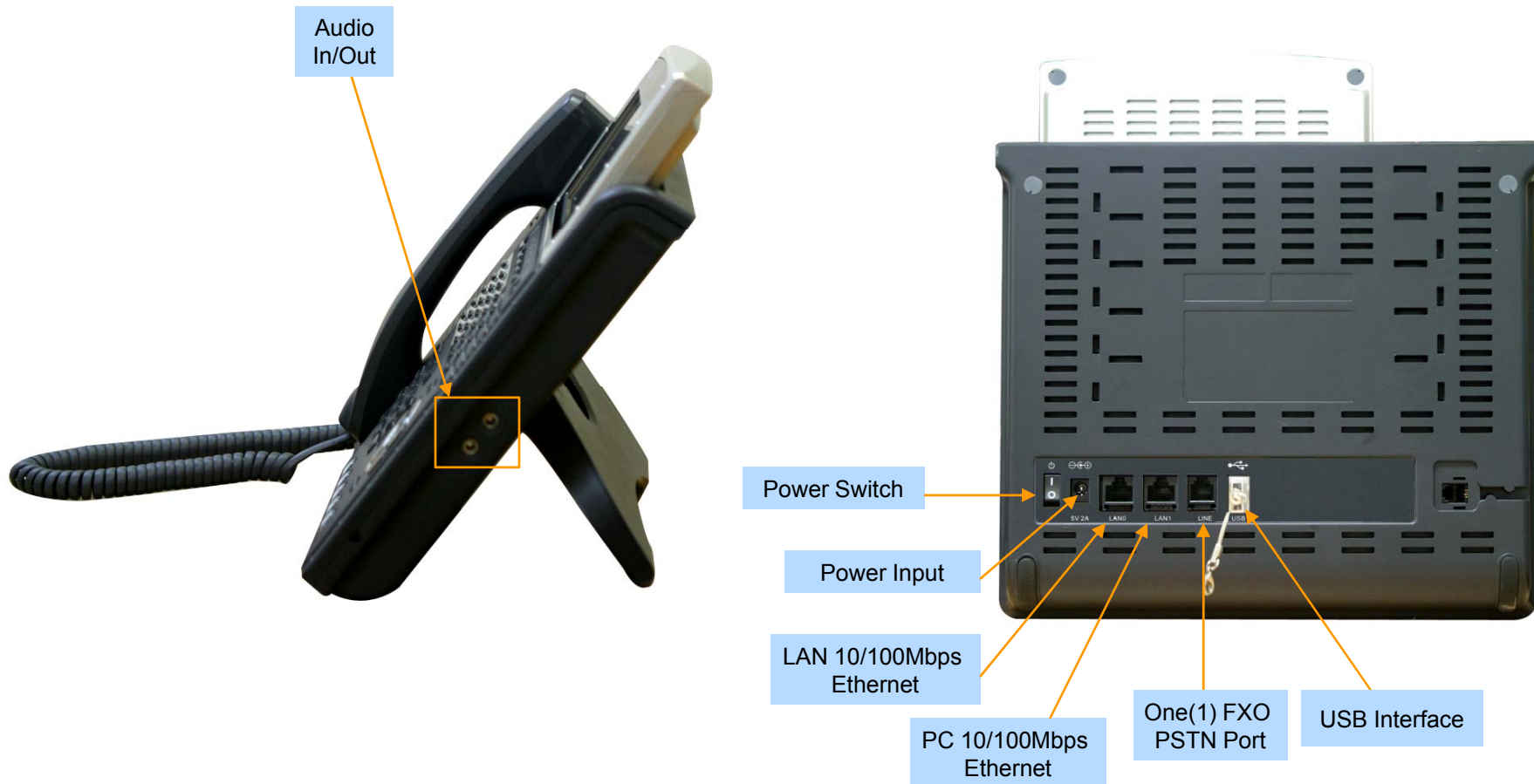
IP Phone

AP-IP300 Premium IP Phone

RISC
CPU

High-end
DSP

Hardware Specification





AP-IP230 IP Phone

IP Phone

AP-IP230 Premium IP Phone

Main Features

- 5 Inch Color LCD Display, Touch Screen
- Touch Screen based 25 Speed-Dial Keys
- 4 Soft Key for Call Control
- Various Function Keys
- H.323/SIP Concurrent VoIP Signaling Stack Embedded
- High-performance Voice Codec Support
 - G.711/G.726/G.729/G.723, etc
- Two(2) 10/100Mbps Fast Ethernet (IP Share ,etc)
- High Quality Speaker Phone Features (Acoustic Echo Canceller)
- Powerful Network Protocols (PPPoE, DHCP, Static Routing, etc)
- Firmware Upgradeable Architecture
- VPMS (VoIP Plug&Play Management System) for Large Scale Deployment
- Advanced Voice QoS Mechanism

IP Phone

AP-IP230 Premium IP Phone

RISC
CPU

High-end
DSP

Hardware Specification

- RISC Microprocessor Computing Power
- 5 Inch Color LCD with Touch Screen
- High-end Programmable DSP Hardware Architecture
- High quality Audio and Voice Interface
 - Stereo Audio Input & Output Connector
- Network Interface
 - Two(2) 10/100Mbps Fast Ethernet
 - One(1) USB 1.0 Interface
- PSTN Interface
 - One(1) FXO(RJ11) interface
- Power Supply
 - *External DC adaptor (5V)*
 - *Power Switch*
 - *PoE (Power over Ethernet)*

IP Phone

AP-IP230 Premium IP Phone

Hardware Specification

RISC
CPU

High-end
DSP

5 Inch
LCD with Touch
Screen



AddPac

www.addpac.com

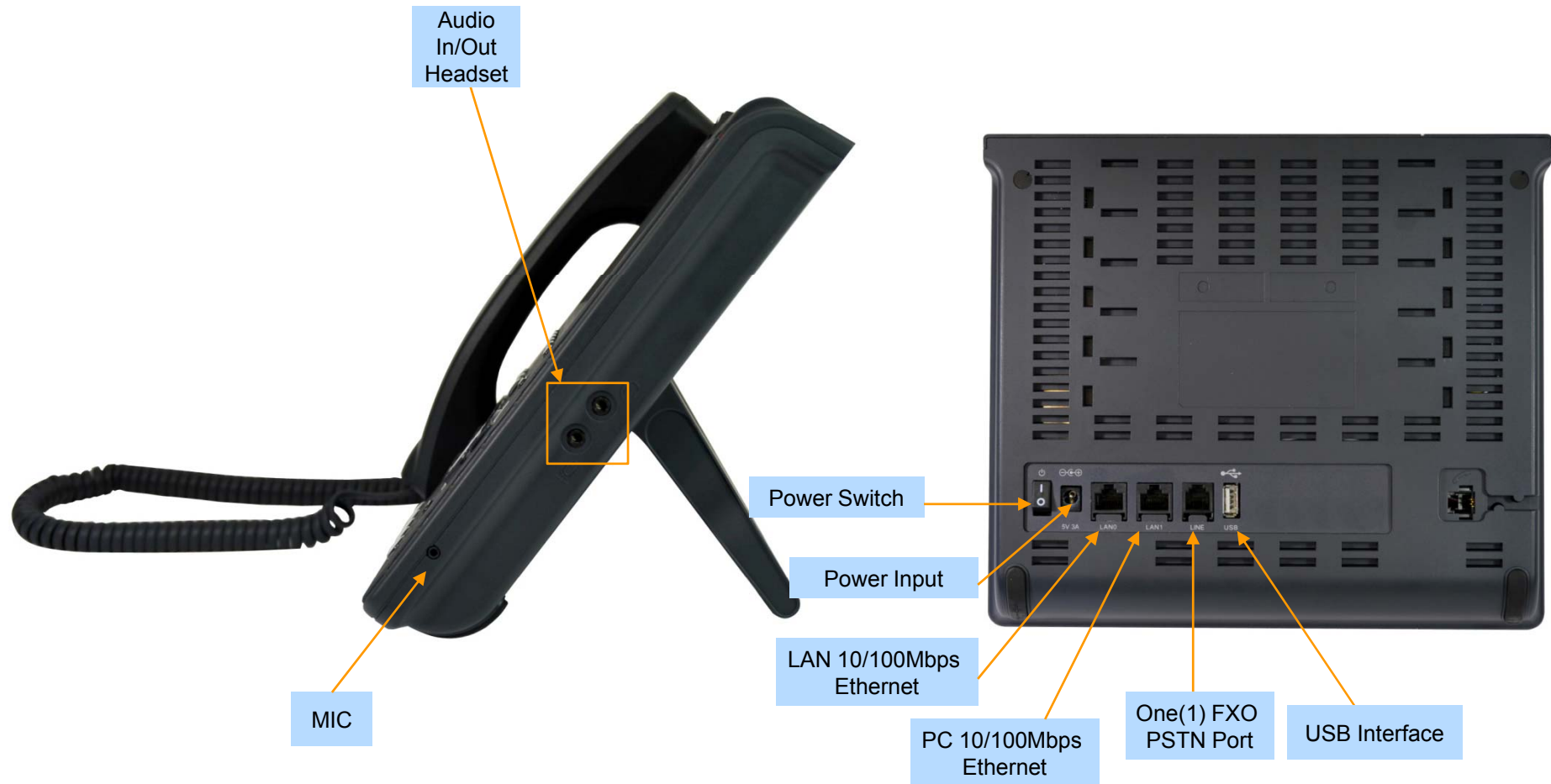
IP Phone

AP-IP230 Premium IP Phone

RISC
CPU

High-end
DSP

Hardware Specification





Thank you!

AddPac Technology Co., Ltd.
Sales and Marketing

Phone +82.2.568.3848 (KOREA)

FAX +82.2.568.3847 (KOREA)

E-mail : sales@addpac.com