

# AP-EIP70

## Emergency Call SIP Phone

High Performance SIP Emergency Phone Solution



Multi-Terminal Ringing Service

**AddPac**

**AddPac Technology**

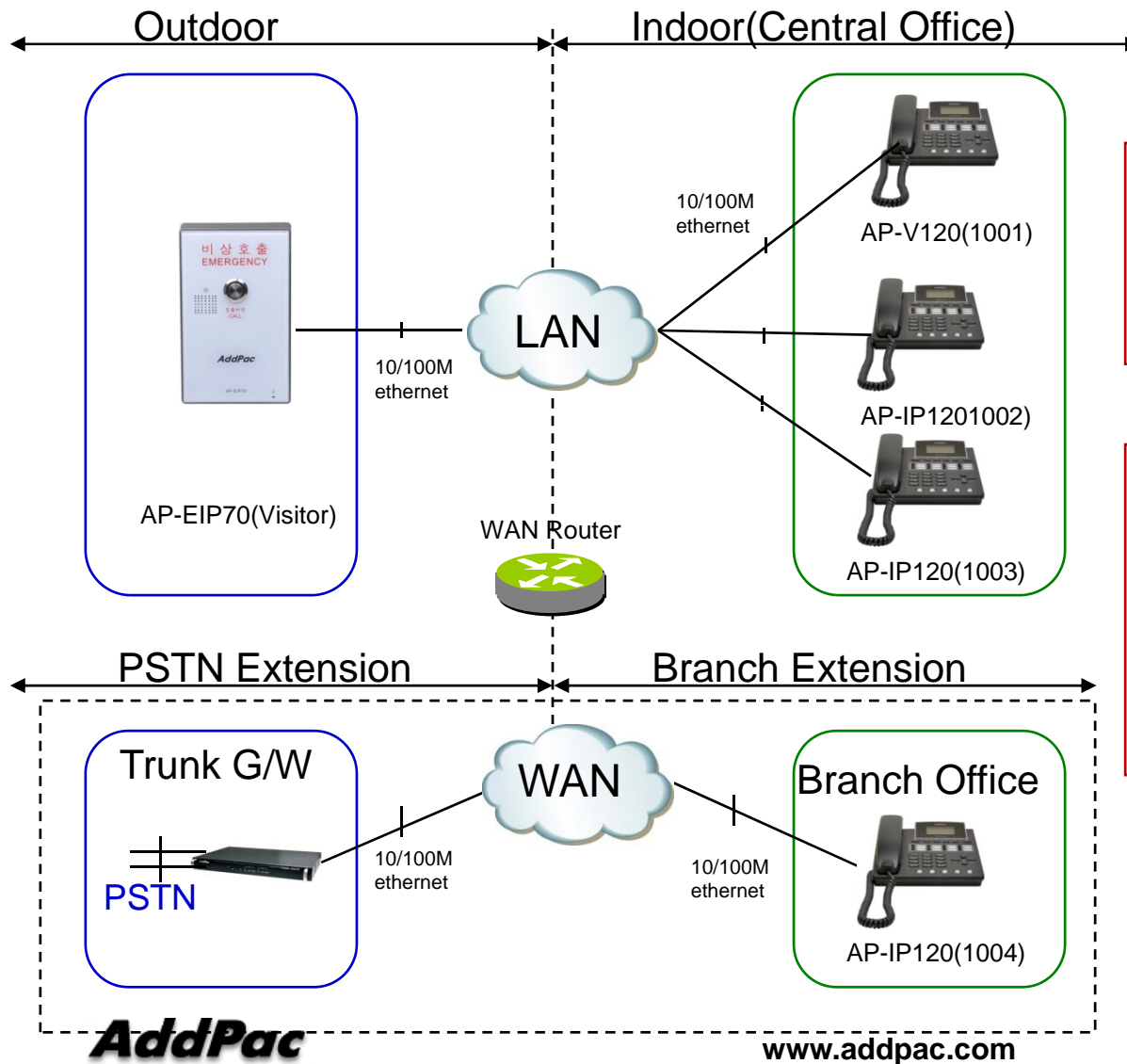
Sales and Marketing

# Contents

- Multi-Terminal Ringing Service Network Diagram
- Signaling Flow



# Multi-Terminal Ringing Network Service Diagram



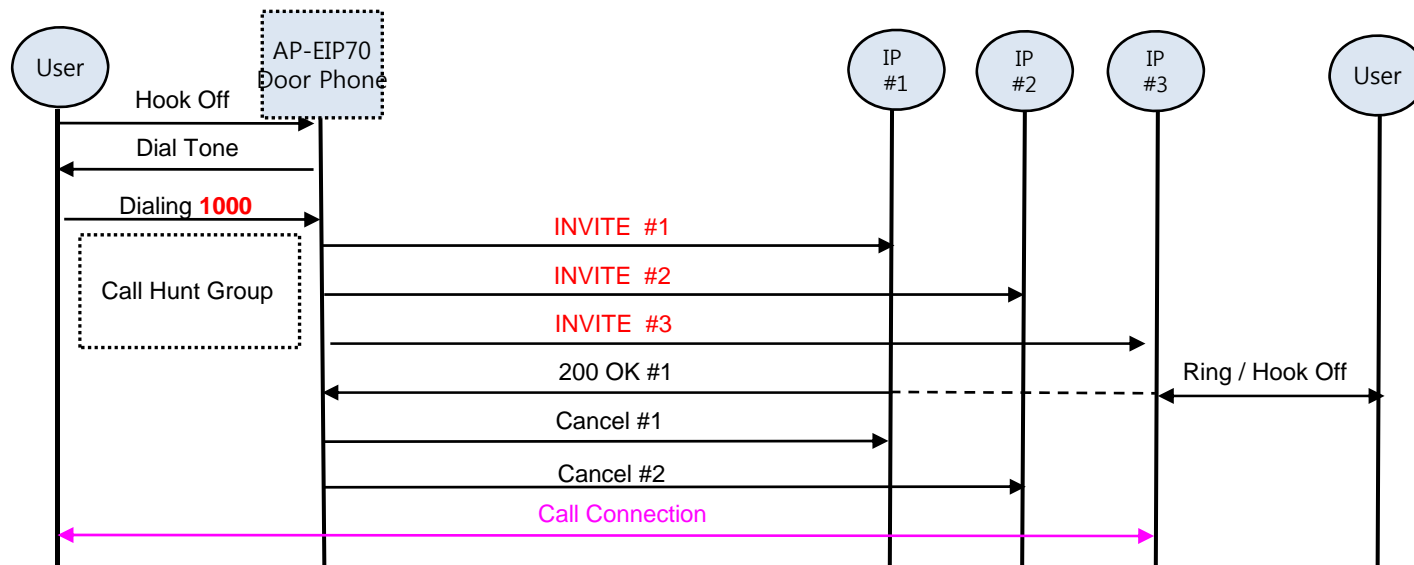
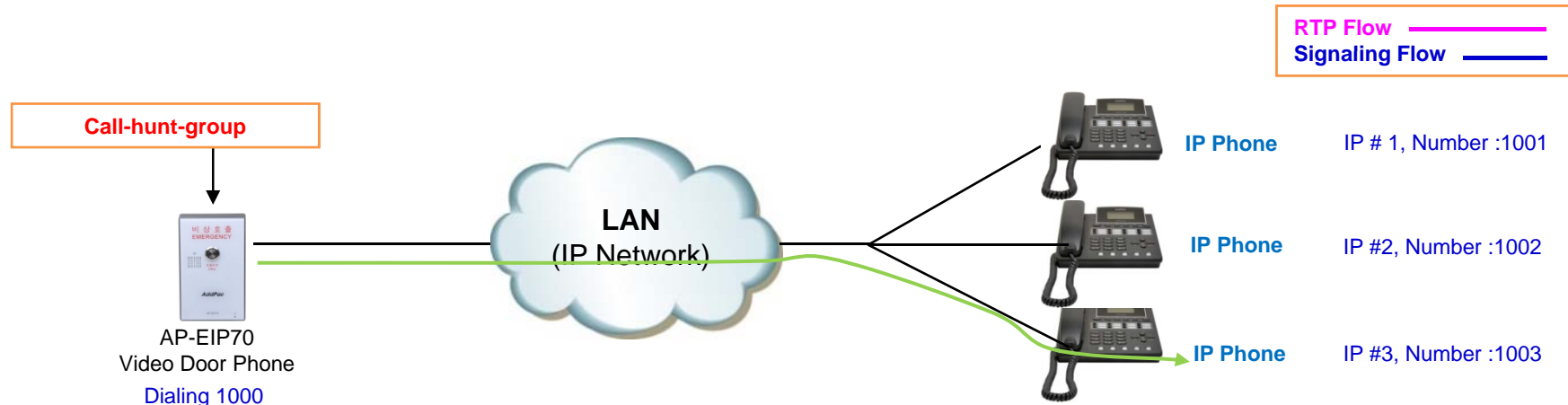
## Benefits are

- When main secretary is busy or in absence, the others can response to the visitor's call.
- This service extends to WAN, Mobile or PSTN via VoIP Service Provider.

## Simultaneous Ring Scenario Example

1. A Visitor call to '1000'
2. AP-EIP70 calls to 1001, 1002 and 1003 by translation rule and simultaneous ring group.
3. Answered by 1003.
4. AP-EIP70 connects to 1003 and disconnects all other calls.

# Signaling Flow (Video Door Phone to Video Phones)





# Thank you!

**AddPac Technology Co., Ltd.**  
Sales and Marketing

Phone +82.2.568.3848 (KOREA)

FAX +82.2.568.3847 (KOREA)

E-mail [sales@addpac.com](mailto:sales@addpac.com)