

AP-VAC300

IP Video Door Phone

High Performance IP Video Door Phone Solution

Multi-Terminal Ringing Service



AddPac

AddPac Technology

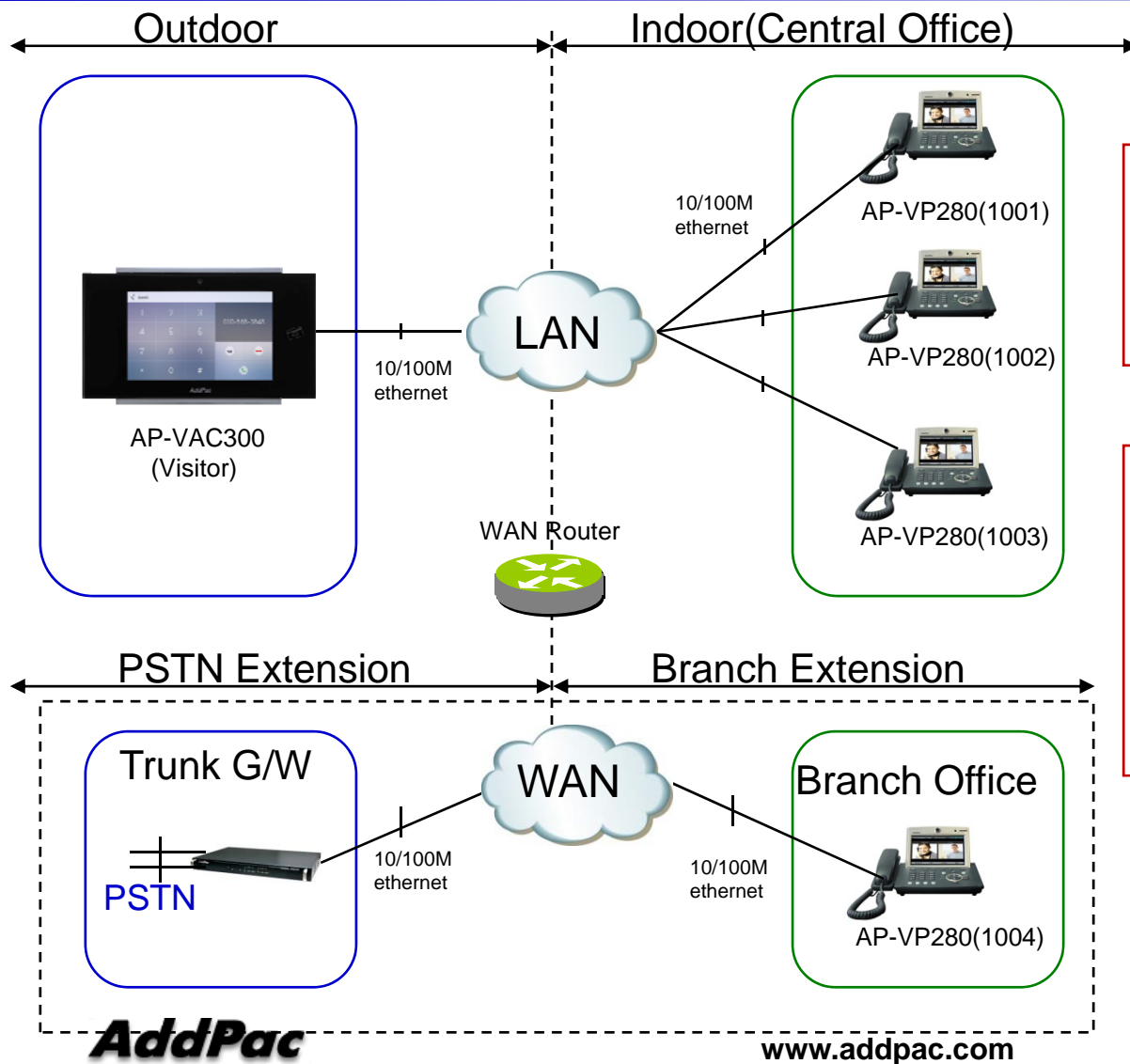
2015, Sales and Marketing

Contents

- Multi-Terminal Ringing Service Network Diagram
- Signaling Flow



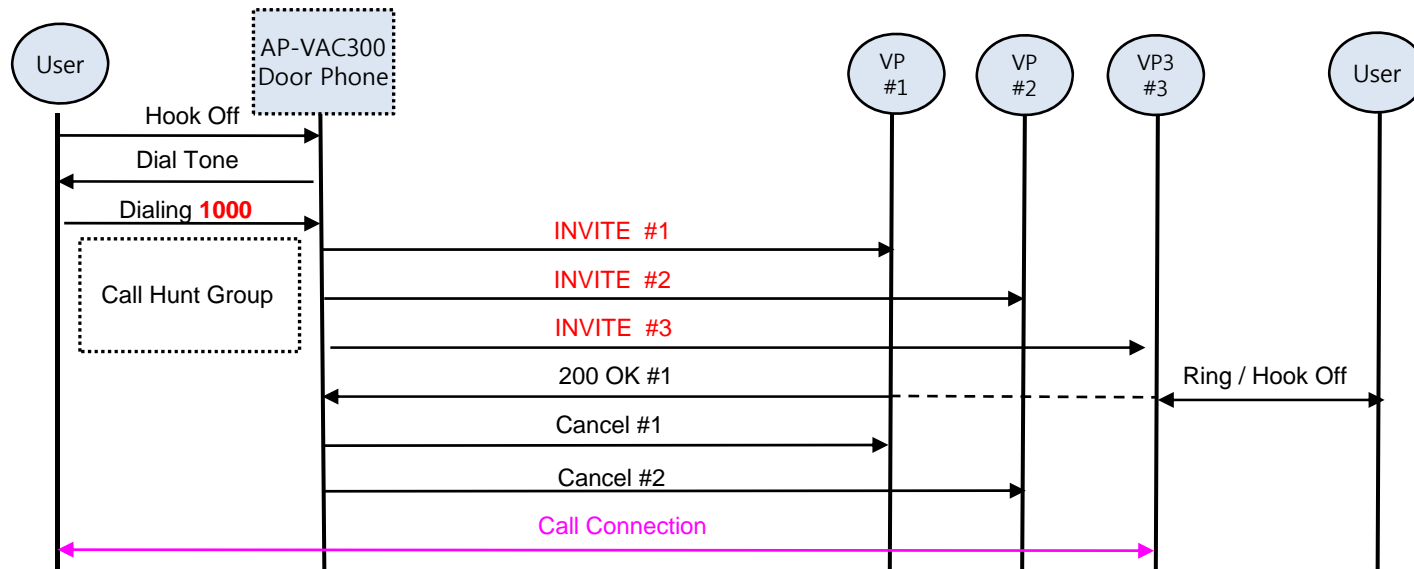
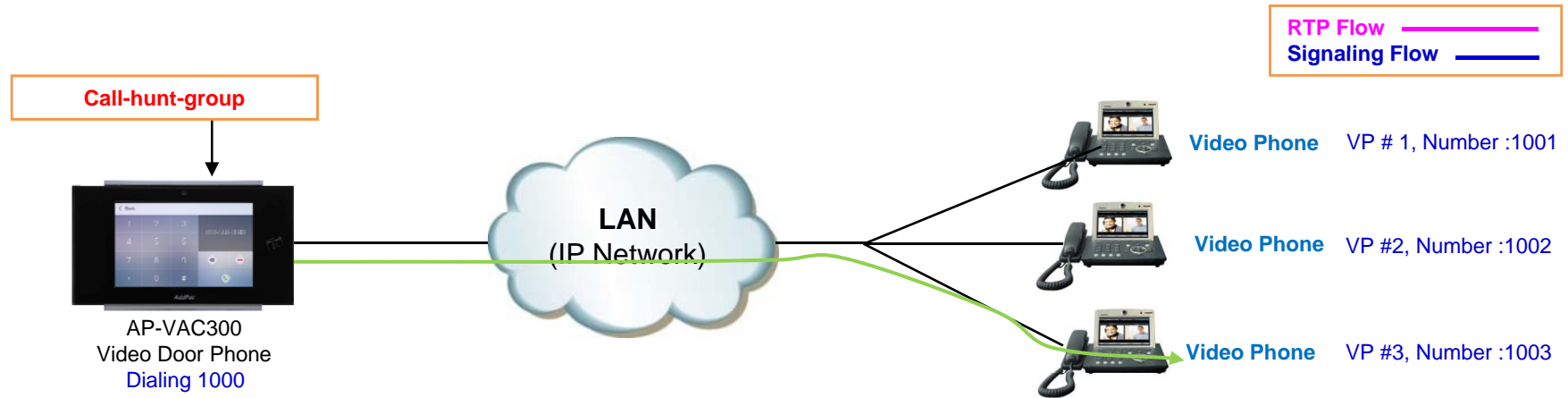
Multi-Terminal Ringing Network Service Diagram



- Benefits are**
- When main secretary is busy or in absence, the others can response to the visitor's call.
 - This service extends to WAN, Mobile or PSTN via VoIP Service Provider.

- Simultaneous Ring Scenario Example**
1. A Visitor call to '1000'
 2. AP-VAC300 calla to 1001, 1002 and 1003 by translation rule and simultaneous ring group.
 3. Answered by 1003.
 4. AP-VAC300 connects to 1003 and disconnects all other calls.

Signaling Flow (Video Door Phone to Video Phones)





Thank you!

AddPac Technology Co., Ltd.
Sales and Marketing

Phone +82.2.568.3848 (KOREA)

FAX +82.2.568.3847 (KOREA)

E-mail sales@addpac.com