

Video Phone Call Forwarding to Smart Phone




AddPac

AddPac Technology

2014, Sales and Marketing

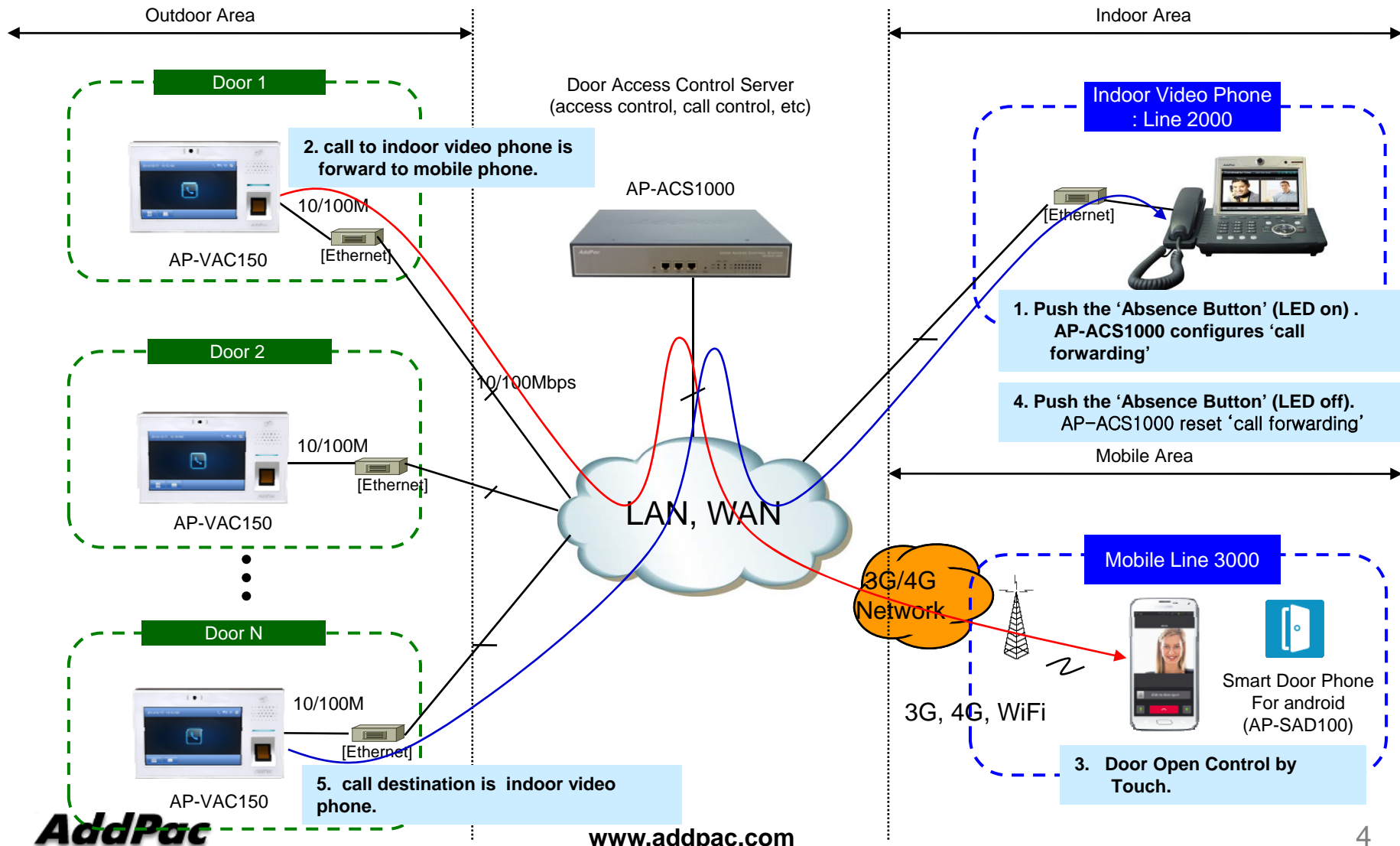
Contents

- Video Phone Call Forwarding to Smart Phone
 - Network Service Diagram
 - SIP Call Flow (AP-VAC150 -> AP-ACS1000 ->AP-VP280 -> Smart Phone)
- AddPac Smart Door Phone Appl.
 - AP-SAD100 Android Door Phone Appl. Overview
 - AP-SAD100 Network Service Diagram
 - AP-SAD100 SIP Register Diagram
 - AP-SAD100 SIP Video Call Flow Diagram
 - AP-SAD100 UI Design
 - AP-SAD100 Setting and Configuration

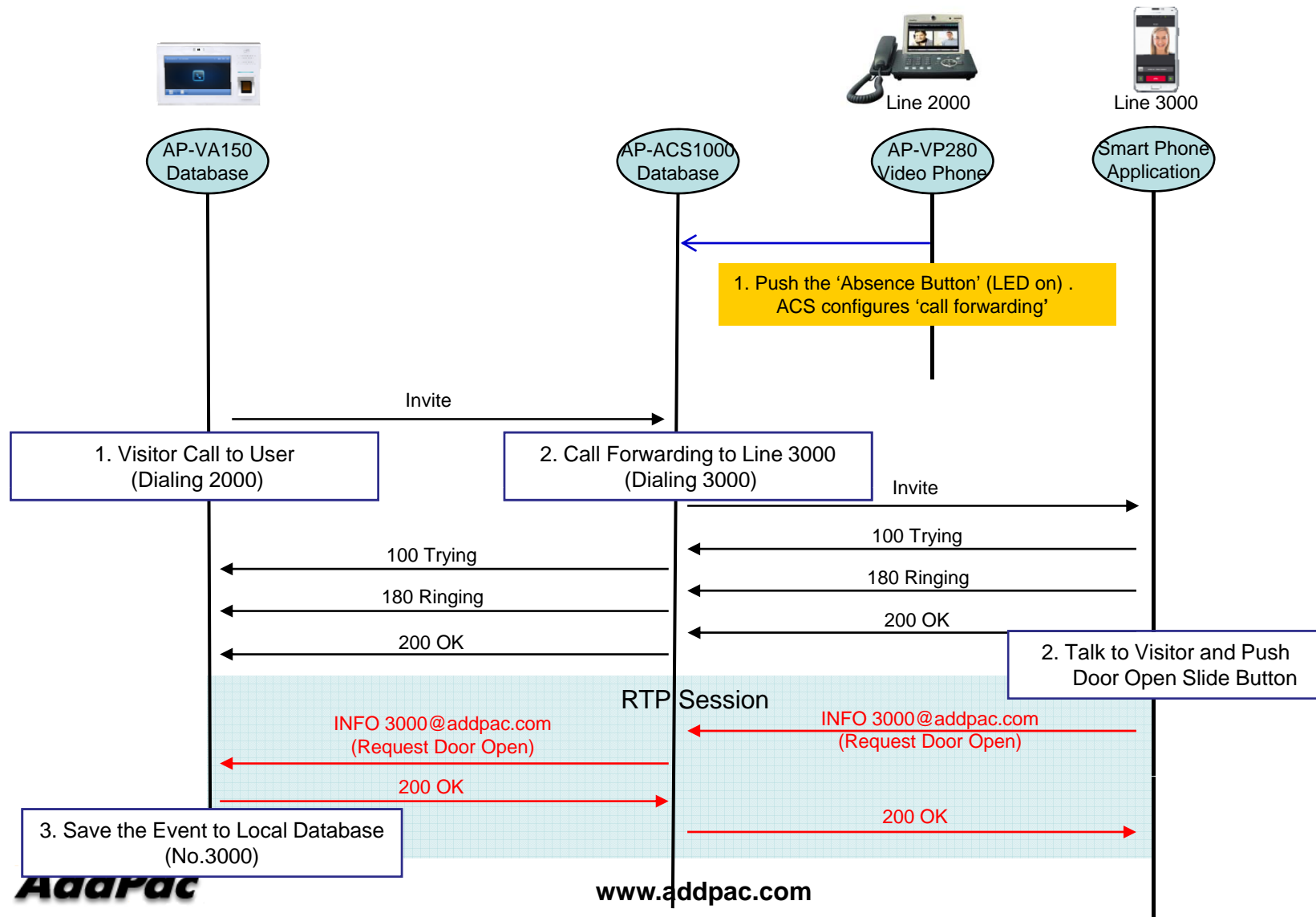


Video Phone Call Forwarding to Smart Phone

Video Phone Call Forward To Mobile Extension (Service Diagram)



Video Phone Call Forward To Mobile Extension (Call Flow Diagram)



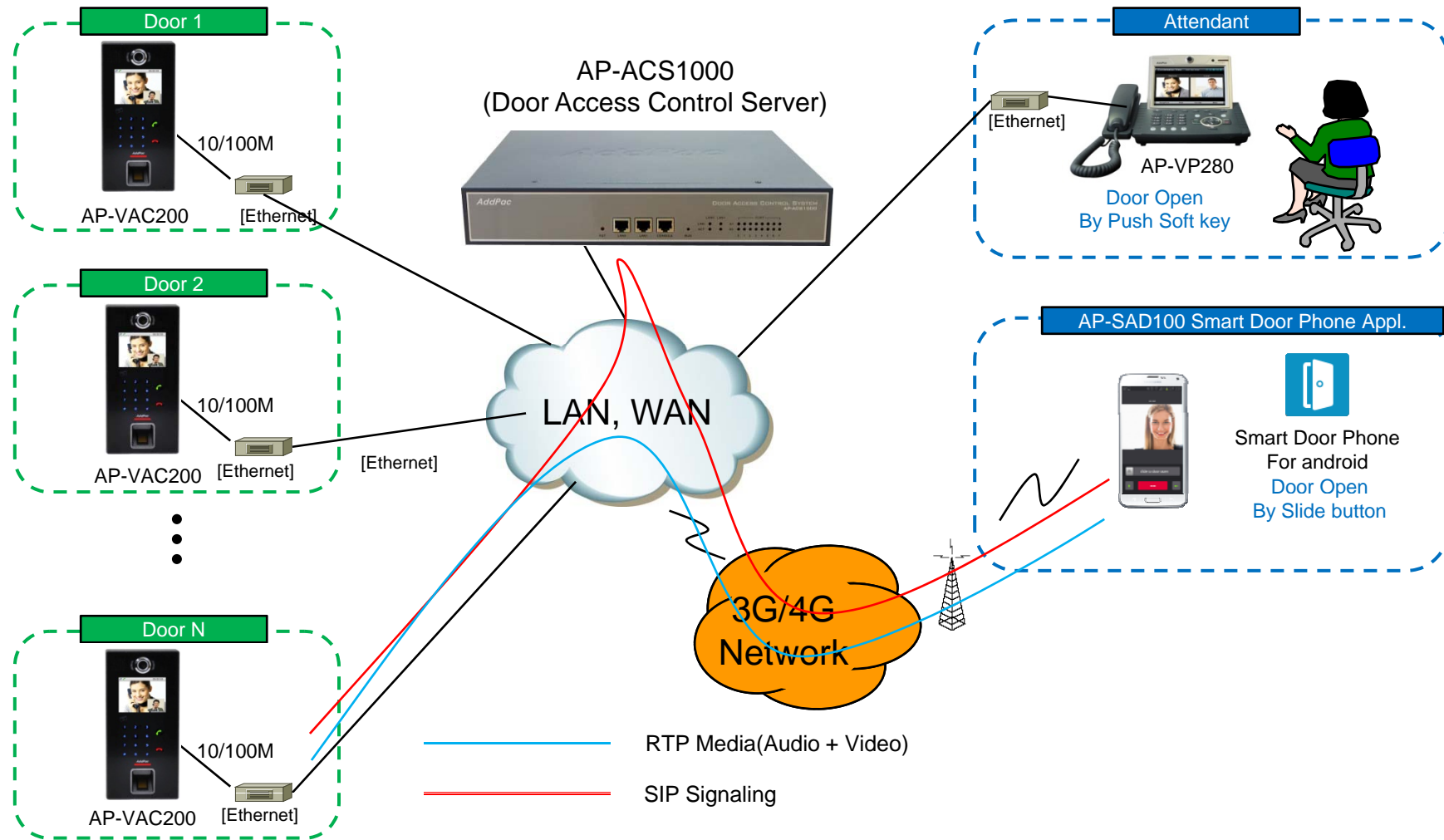
Smart Door Phone (Android App.)



AP-SAD100 Overview

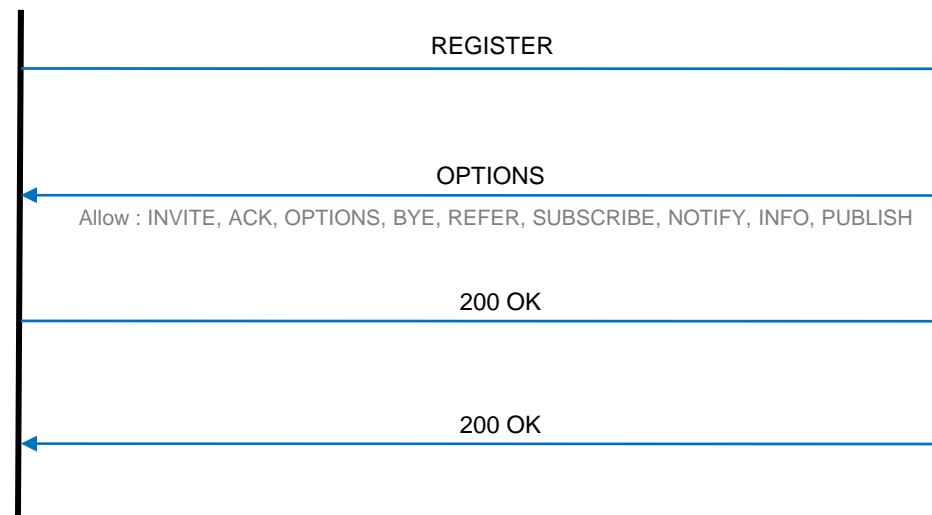
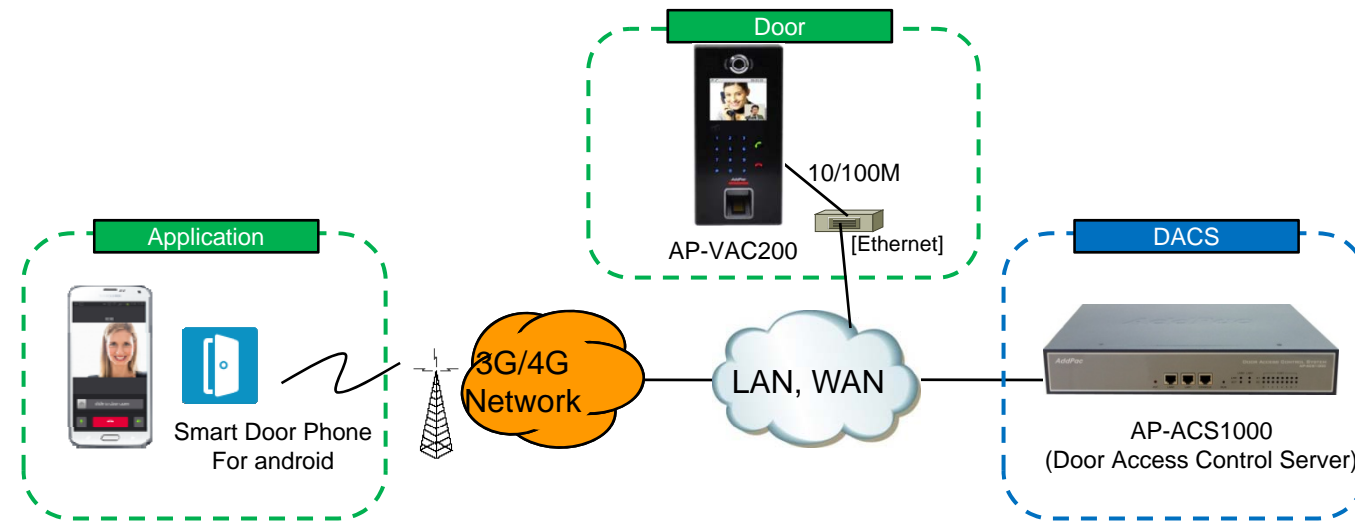
- It supports receiving a video call from door side video door phone by visitor.
- It supports opening the door optionally with password.
- It supports making a video call to door side video door phone to see door side.
- It supports unidirectional video stream from door phone or bidirectional video stream to door phone optionally.
- It supports standard based SIP signaling protocol.
- It supports below voice and video codecs
 - Voice Codec : G.711ulaw/alaw, G.726
 - Video Codec : H.264, H.263. MPEG4

AP-SAD100 Network Service Diagram



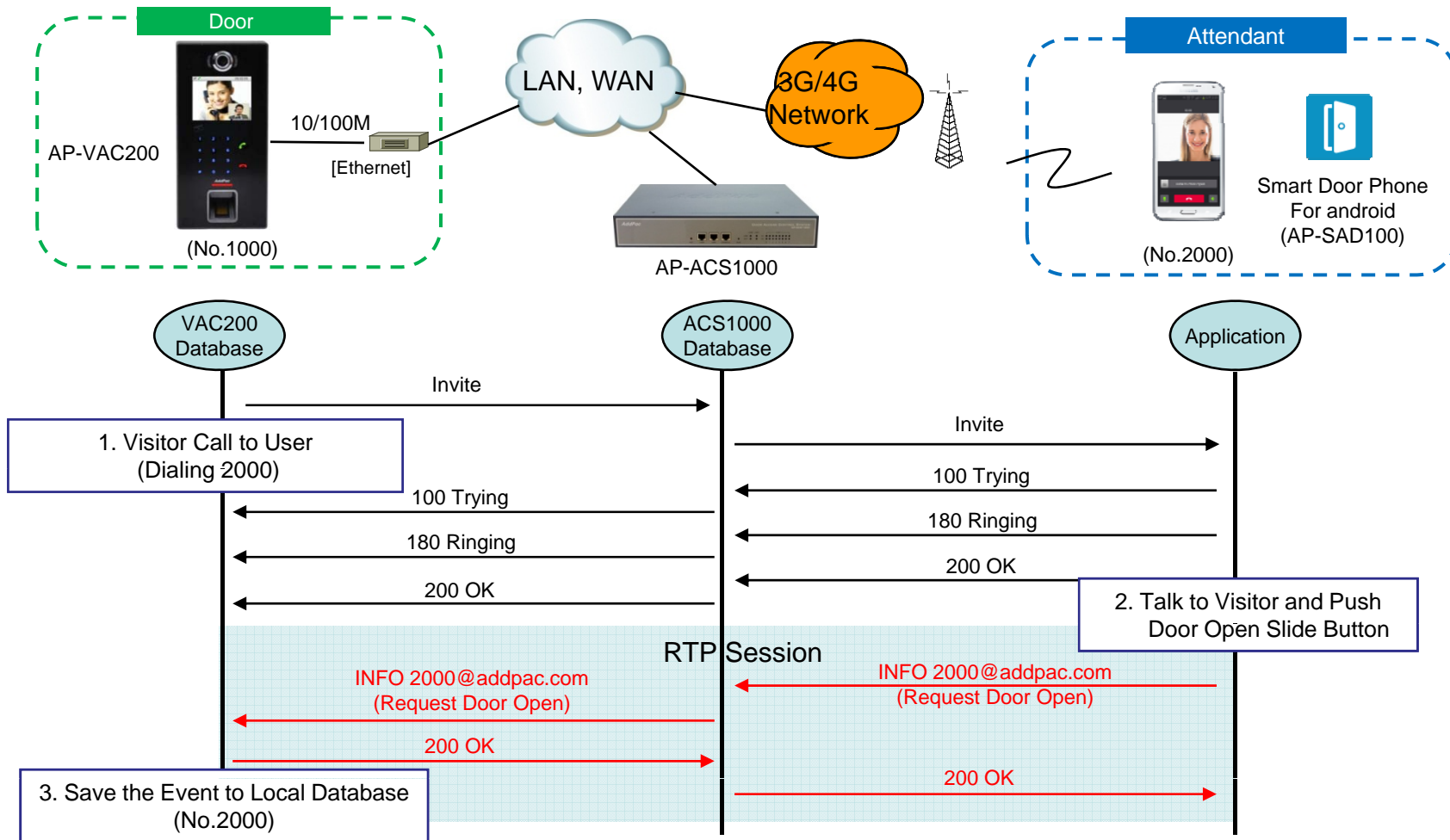
SIP Register

Smart Door Phone Application Register to AP-ACS1000



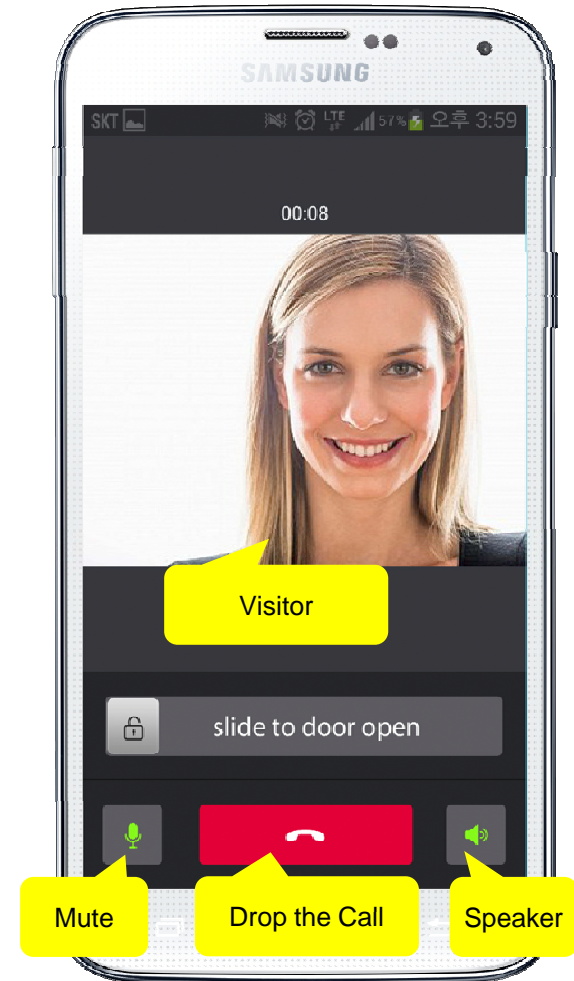
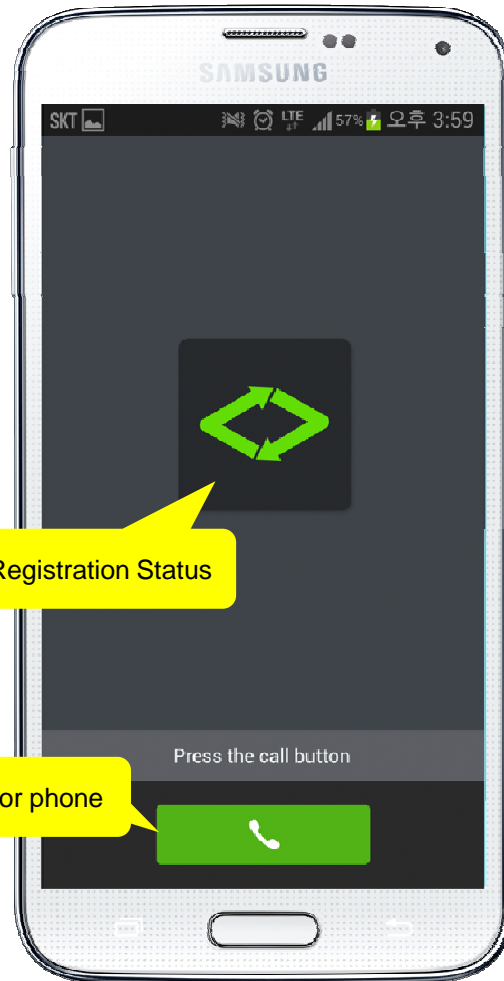
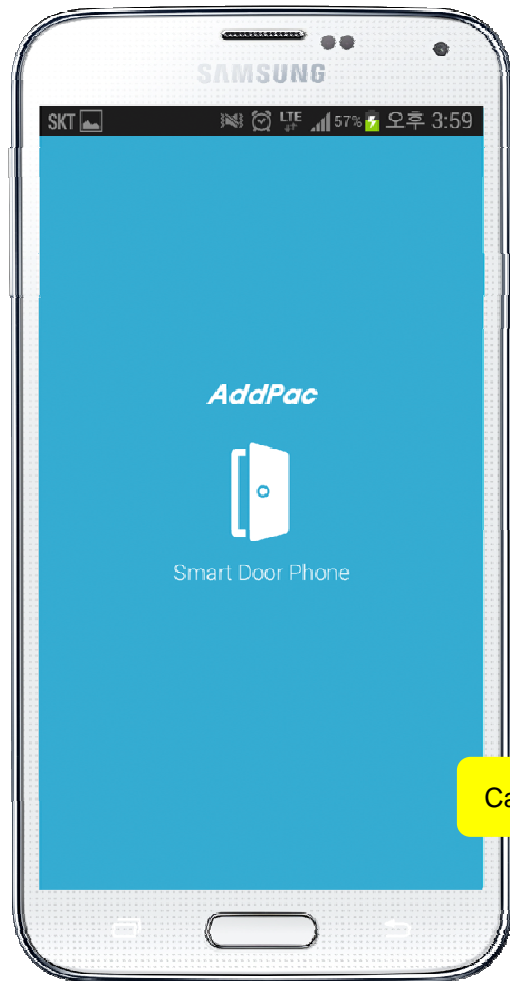
SIP Video Call Flow

Door Open Flow



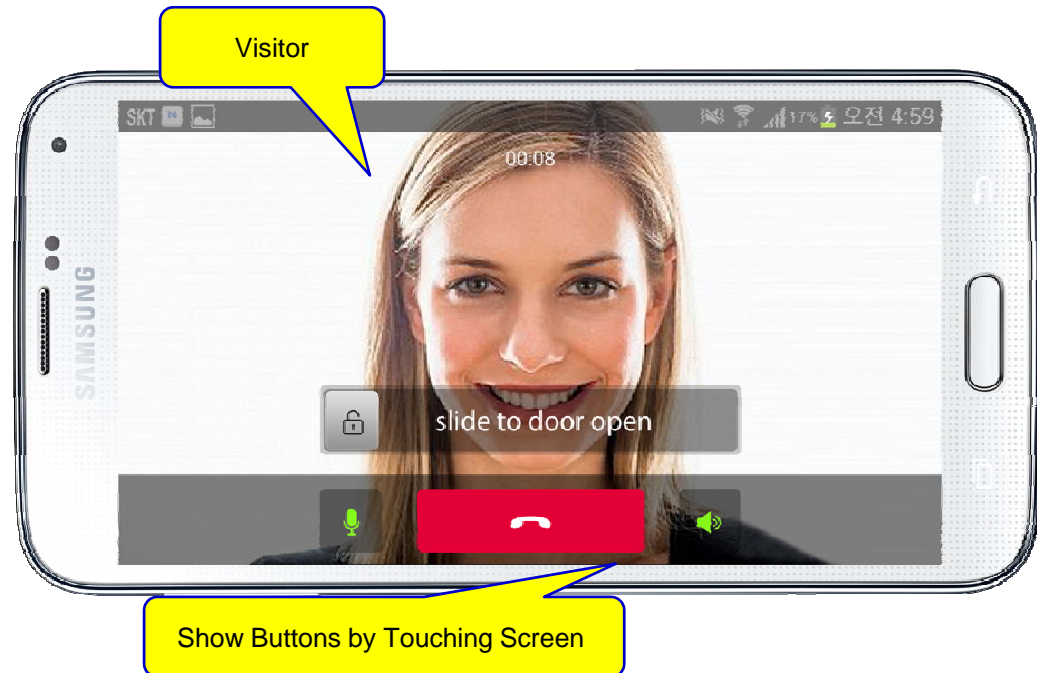
Smart Door Phone App.

Main screen (portrait)



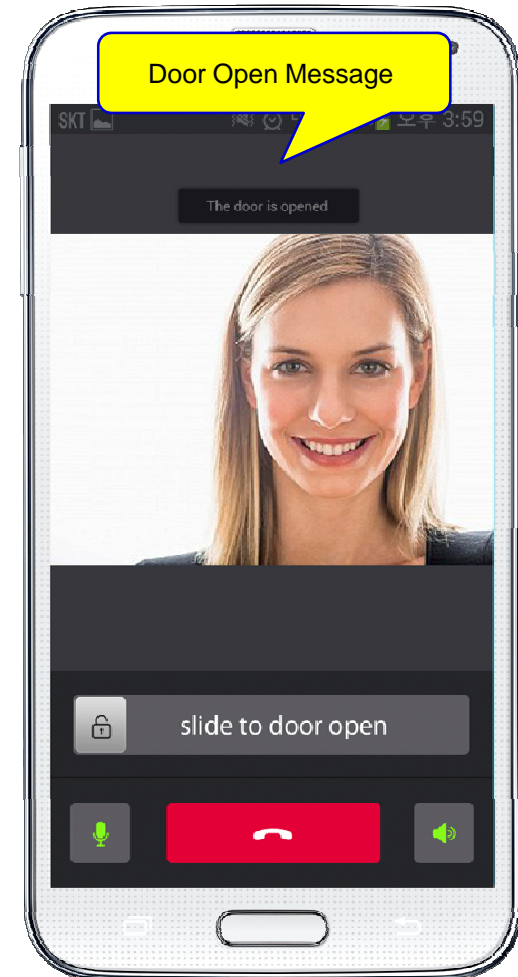
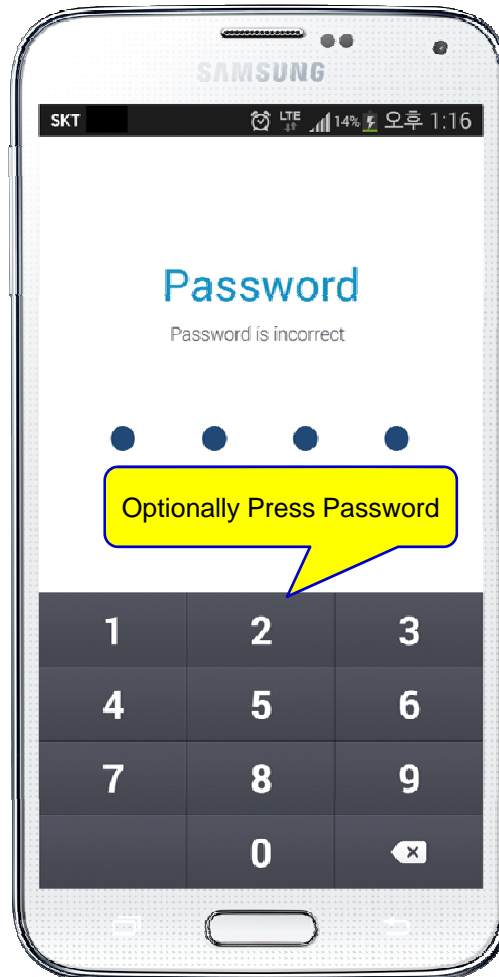
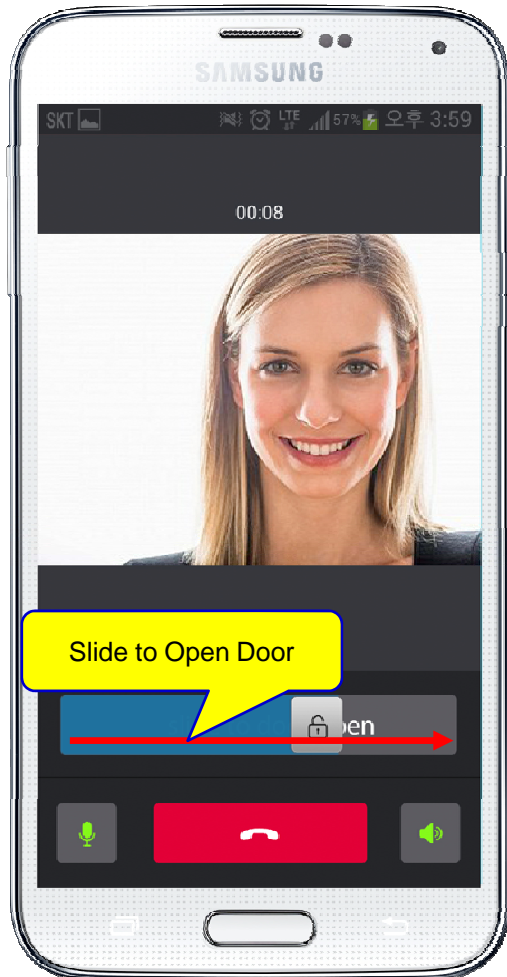
Smart Door Phone App.

Main screen (landscape)



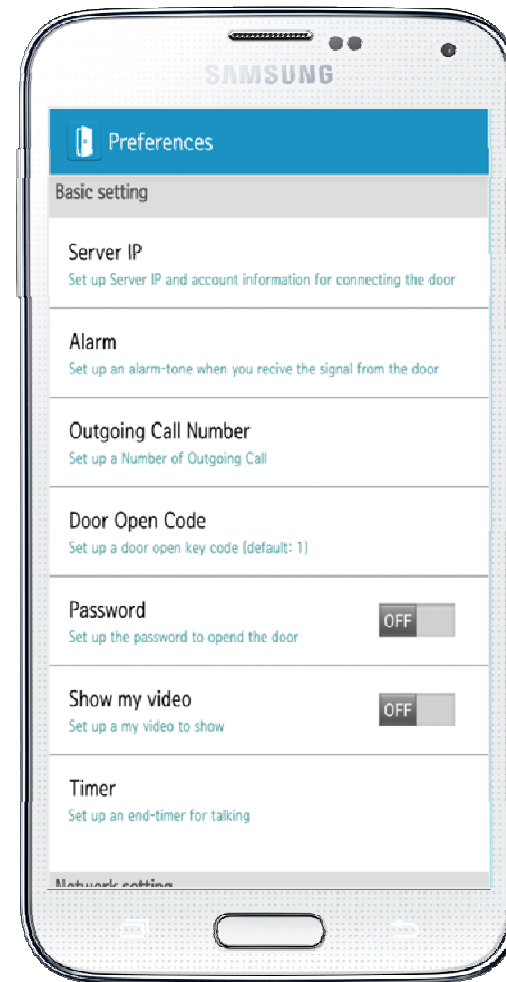
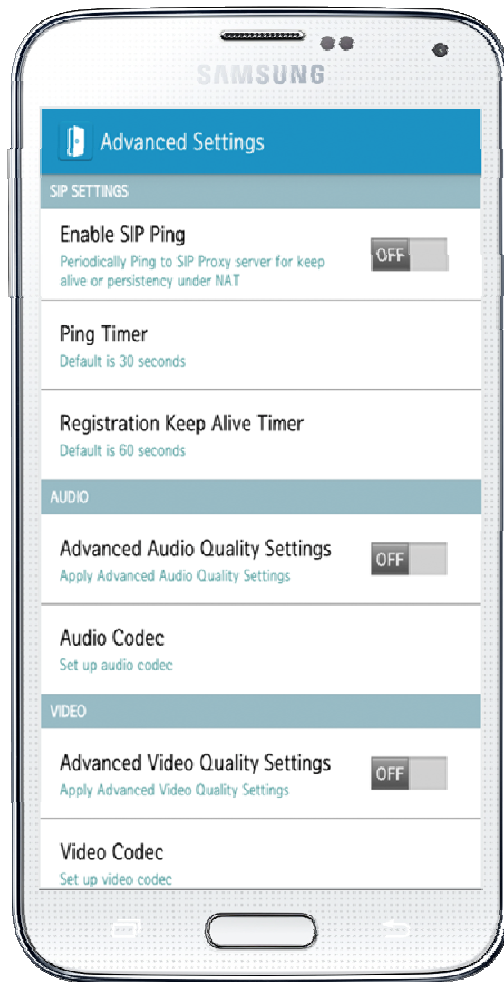
Smart Door Phone App.

Main screen (open the door)



Smart Door Phone App.

Application Settings





Thank you!

AddPac Technology Co., Ltd.
Sales and Marketing

Phone +82.2.568.3848 (KOREA)

FAX +82.2.568.3847 (KOREA)

E-mail : sales@addpac.com