

# Smart Hub Solution for Wireless/Wired Sensor Devices



**AddPac**

**AddPac Technology**

Sales and Marketing

[www.addpac.com](http://www.addpac.com)

# Contents

- Smart Wall PAD and Hub Overview
- Smart Home Equipment Table
- Smart Hub Equipment Table
- Smart Hub Service Diagram
- Smart Hub Equipment for Sensor Devices
  - AP-SH50 (Zigbee/Zwave)
  - AP-SAH50 (Wired)
  - AP-SHD50 (Zigbee/Zwave, Wired)








# Overview

# Networking, Security and Control




You can *monitor*, *control* and *multimedia networking* your **home**, **shop** and **SOHO** from anywhere in the world !

- Wireless smoke detector, door lock, power switch, gas valve, and thermostat can be easily installed in home, shop or SOHO.
- The Smart Wall Pad can open door by video door phone or wireless door lock via Smart Hub.
- The Smart Wall Pad GUI and smart phone application for Smart Hub Equipment provides intuitive and flexible event control, schedule management, group management, zone management, and action control.

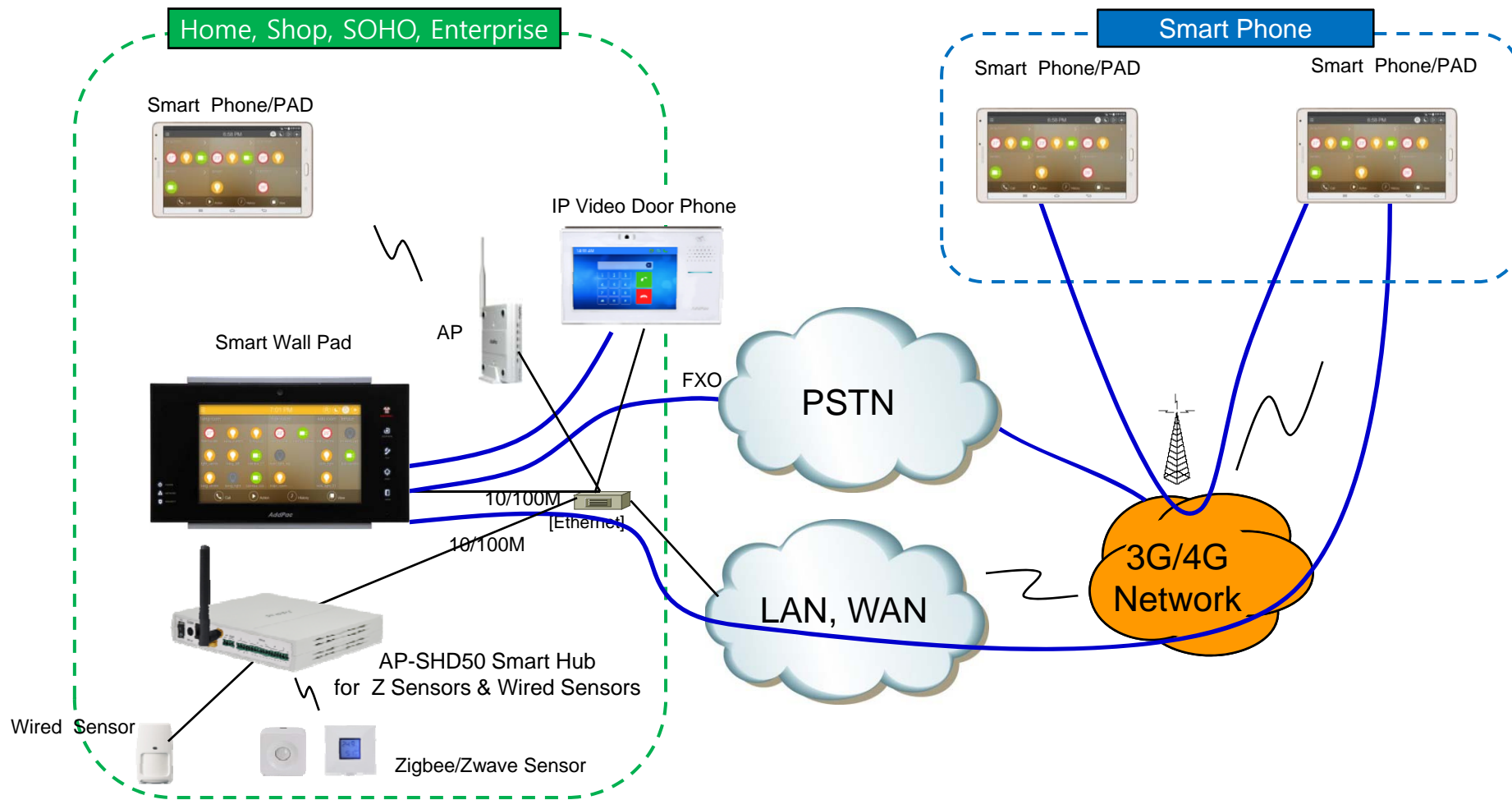
# Smart Home Equipment Table

Smart Home Products	Description	Model
	Smart Wall PAD	AP-VWP100, AP-VWP80
	IP Video Door Phones	AP-VAC20, AP-VAC50, AP-VAC80, AP-VAC150
	IP Video Phone (Bidirectional two-way video)	AP-VP280, AP-VP120, etc
	Smart Hub for Zigbee/Zwave Sensors	AP-SH50, AP-SAH50, AP-SHD50
	Smart Phone and Tab/Pad Appl.	

# Smart Hub Equipment Comparison Table

Model	AP-SH50	AP-SAH50	AP-SHD50
Service Features			
Sensor Type	Wireless Zigbee, Zwave	Wired	Wireless/Wired Zigbee, Zwave
Wired Sensor Port	N/A	6-Port	6-Port
Smart Appl. for Phone, PAD	Support	Support	Support
Smart Web Manager	Support	Support	Support
LAN Port	1	1	1
PoE(Optional)	Option	Option	Option

# Smart Hub Service Diagram





# Smart Hub Equipment for Sensor Devices





# AP-SH50 Smart Hub

# Product Overview

## AP-SH50 Smart Hub for Z sensors

- Advanced Smart Home Solution
- Zigbee/Zwave Dual Sensor Interface Support
- Smart IP Routing Service Features for Sensor Network
- Smart Wall Pad Interworking Service Features
- Smart Hub Interworking Support for Third Party
- High Performance RISC Programmable Architecture
- One 10/100Mbps Fast Ethernet
- High Performance LAN-to-Zigbee/Zwave Routing Capability
- Powerful Network Protocols (PPPoE, DHCP, Static Routing, etc)
- Firmware Upgradeable Architecture
- Smart Web based Management
- Light and Compact Design with External Power Supply

# Hardware Specification

AP-SH50 Smart Hub for Z sensors

- RISC Microprocessor Computing Power
- 1-Port Zigbee Interface
- 1-Port Zwave Interface
- 1-Port Zigbee Antenna
- 1-Port Zwave Antenna
- Network Interface
  - One(1) 10/100Mbps Fast Ethernet (RJ45)
- Run LED, LAN LED, Port LEDs
- External Power Supply



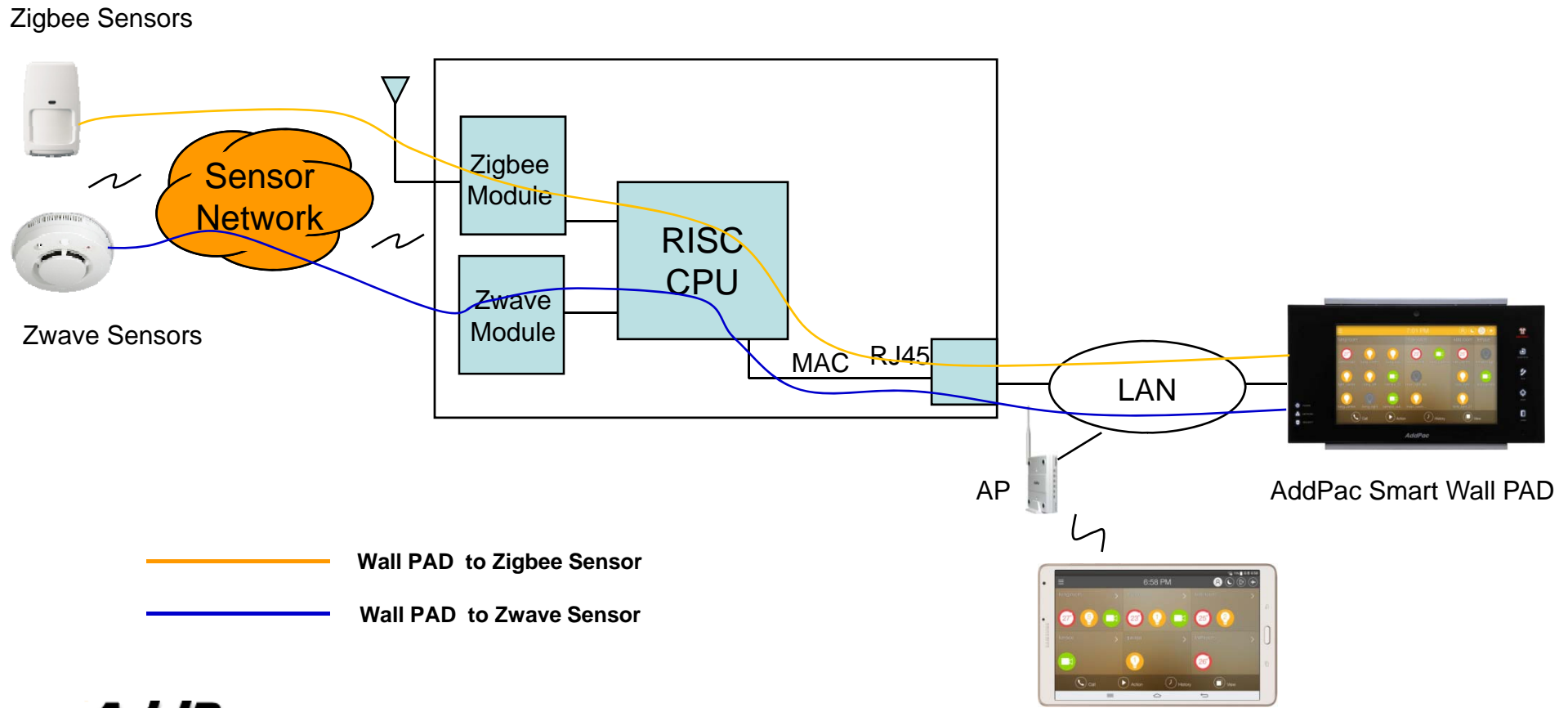
# Hardware Specification

AP-SH50 Smart Hub for Z sensors



## Smart Hub Service Diagram

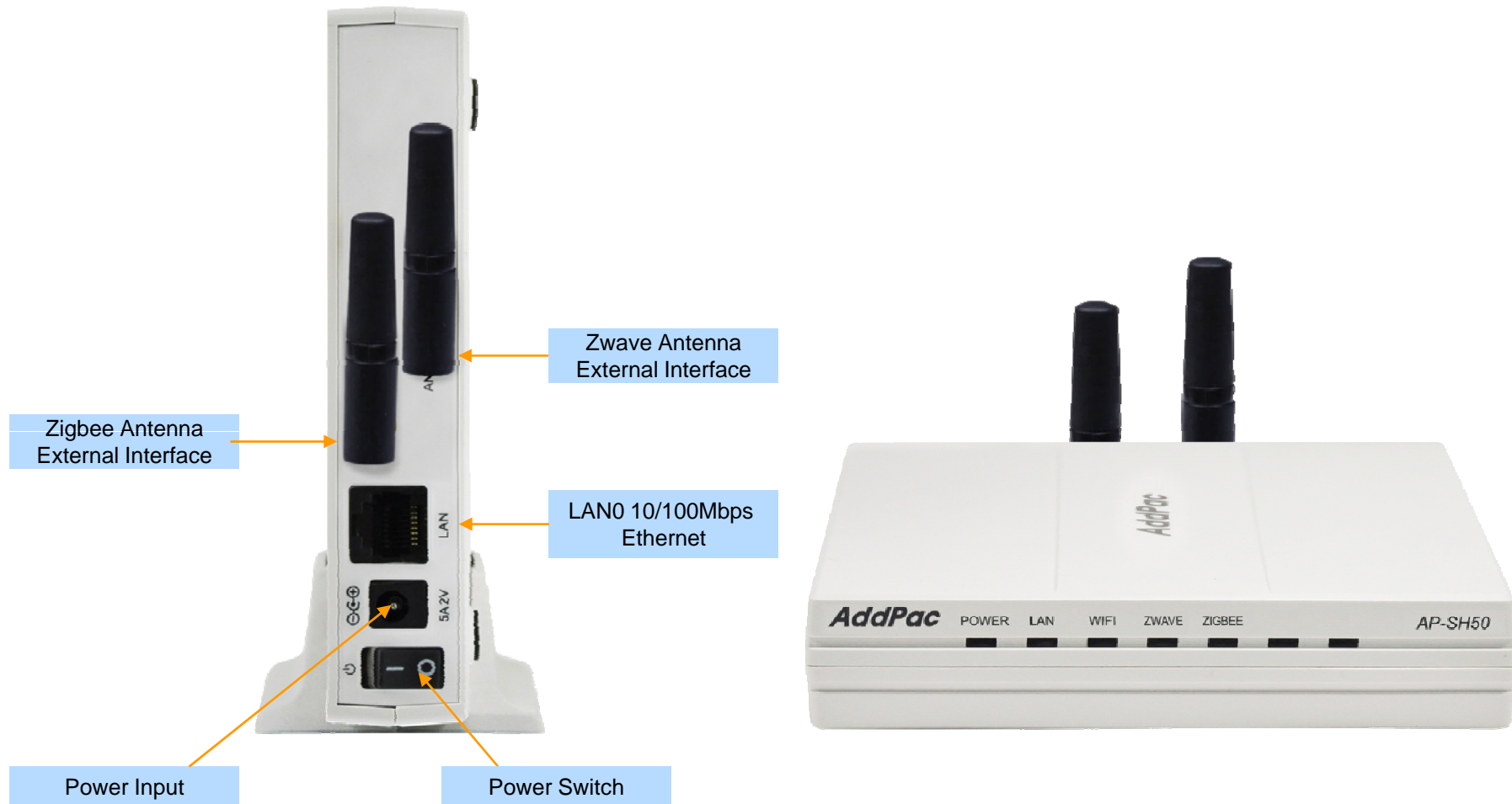
AP-SH50 Smart Hub Internal H/W Block Diagram




# Hardware Specification

AP-SH50 Smart Hub for Z sensors

## Network interface Configurations





# AP-SAH50 Smart Hub

# Product Overview

## AP-SAH50 Smart Hub for Legacy Wired Sensors

- Advanced Smart Home Solution
- Legacy Wired Sensor Interface Support
- Smart IP Routing Service Features for Sensor Network
- Smart Wall Pad Interworking Service Features
- Smart Hub Interworking Support for Third Party
- High Performance RISC Programmable Architecture
- One 10/100Mbps Fast Ethernet
- PoE Support : Option
- High Performance LAN-to-Wired Legacy Sensor Routing Capability
- Powerful Network Protocols (PPPoE, DHCP, Static Routing, etc)
- Firmware Upgradeable Architecture
- Smart Web based Management
- Light and Compact Design with External Power Supply

# Hardware Specification

## AP-SAH50 Smart Hub for Legacy Wired Sensors

- RISC Microprocessor Computing Power
- 6-Port Wired Sensor
  - Alarm Input
  - Power Output for Sensor Power Supply
- Speaker Port, Beacon Port
- Network Interface
  - One(1) 10/100Mbps Fast Ethernet (RJ45)
- LAN LED, Sensor Port LED
- External Power Supply
- PoE (Power over Ethernet) : Option

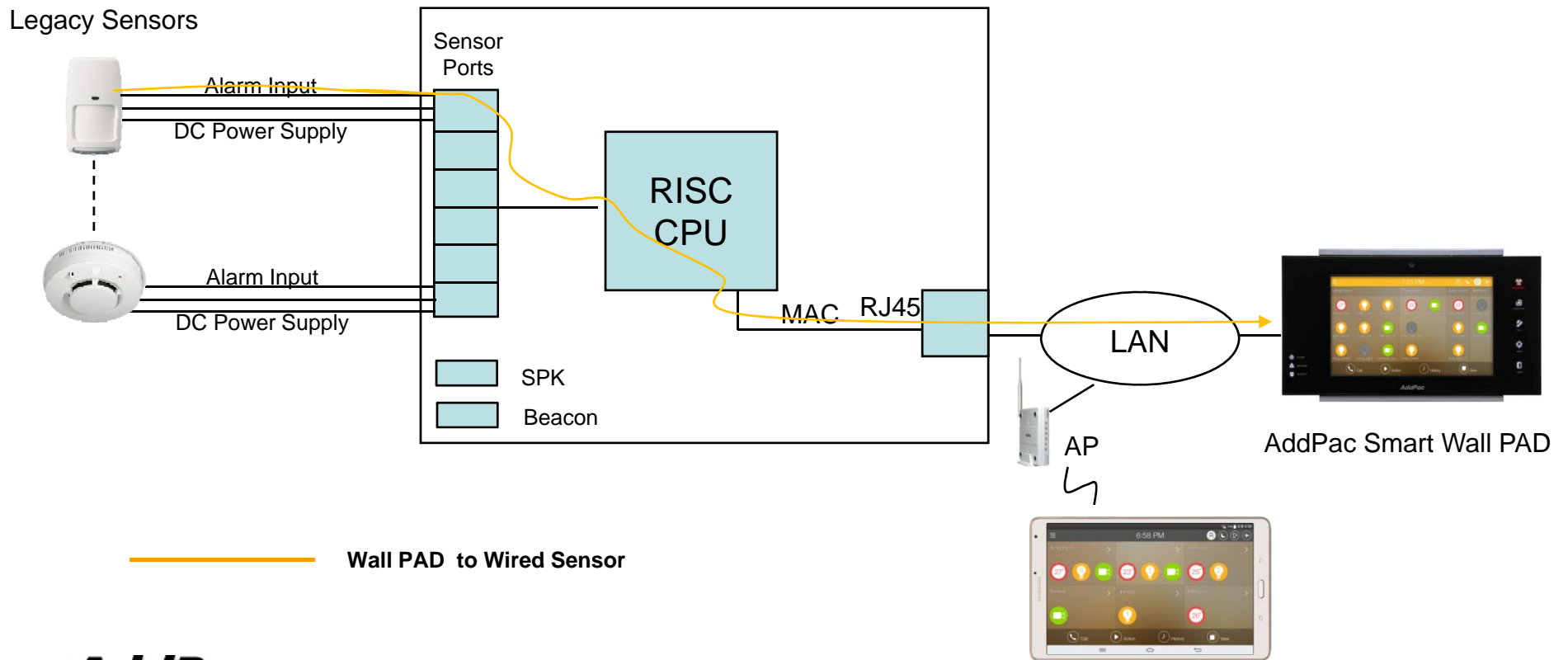


# Hardware Specification

## AP-SAH50 Smart Hub for Legacy Wired Sensors

### Smart Hub Service Diagram

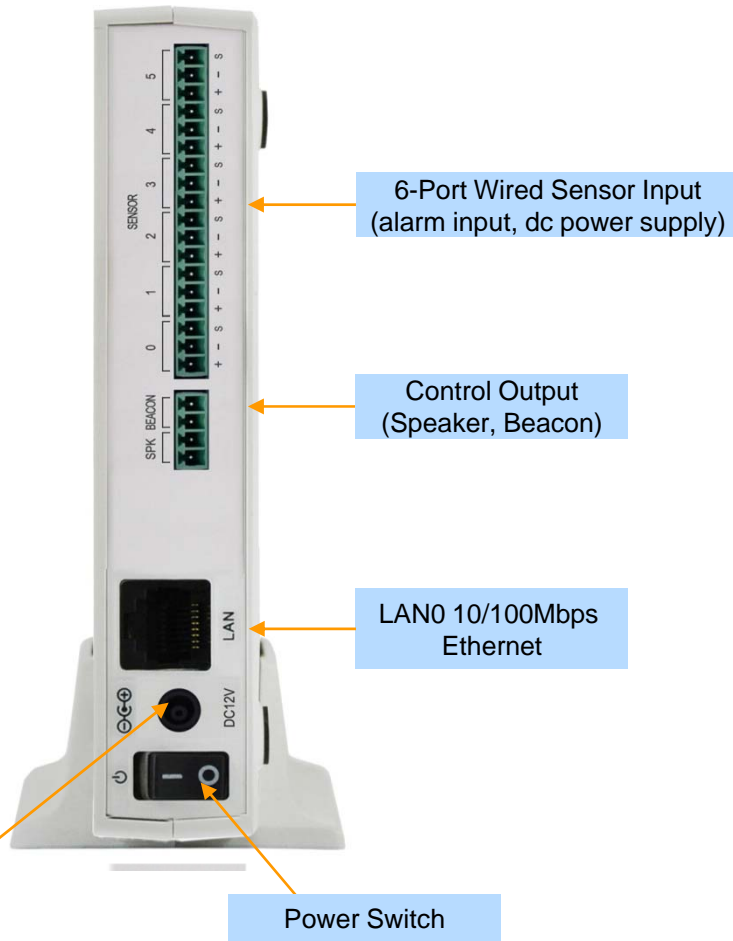
AP-SH50 Smart Hub Internal H/W Block Diagram



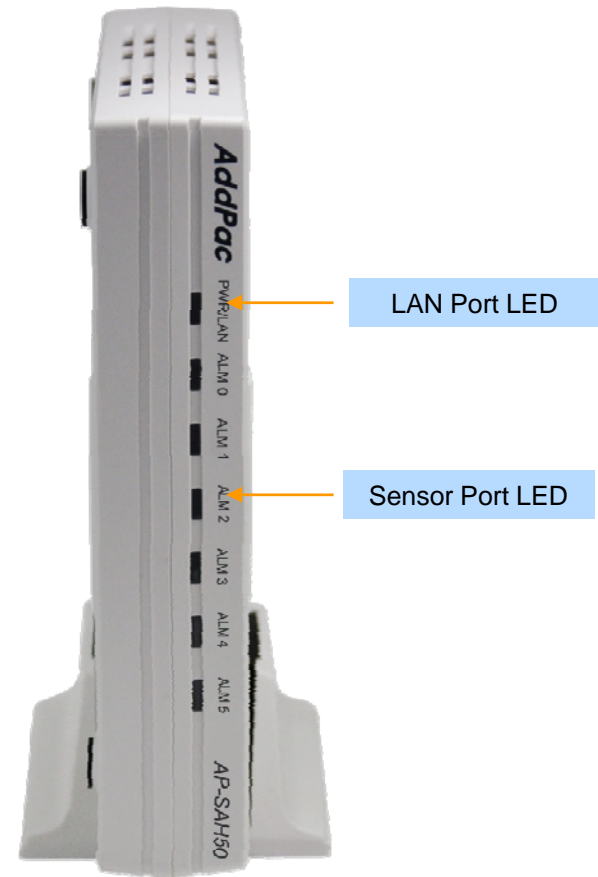
# Hardware Specification

## AP-SAH50 Smart Hub for Legacy Wired Sensors

Back Side



Front Side





# AP-SHD50 Smart Hub

# Product Overview

## AP-SHD50 Smart Hub for Z Sensors & Wired Sensors

- Advanced Smart Home Solution
- Zigbee/Zwave Dual Sensor Interface Support
- Legacy Wired Sensor Interface Support
- Smart IP Routing Service Features for Sensor Network
- Smart Wall Pad Interworking Service Features
- Smart Hub Interworking Support for Third Party
- High Performance RISC Programmable Architecture
- One 10/100Mbps Fast Ethernet
- PoE Support : Option
- High Performance LAN-to-Zigbee/Zwave Routing Capability
- Powerful Network Protocols (PPPoE, DHCP, Static Routing, etc)
- Firmware Upgradeable Architecture
- Smart Web based Management
- Light and Compact Design with External Power Supply

# Hardware Specification

AP-SHD50 Smart Hub for Z Sensors & Wired Sensors

A square logo with a dark blue background and a light blue border. The text "RISC" is positioned above "CPU" in white, bold, sans-serif font.

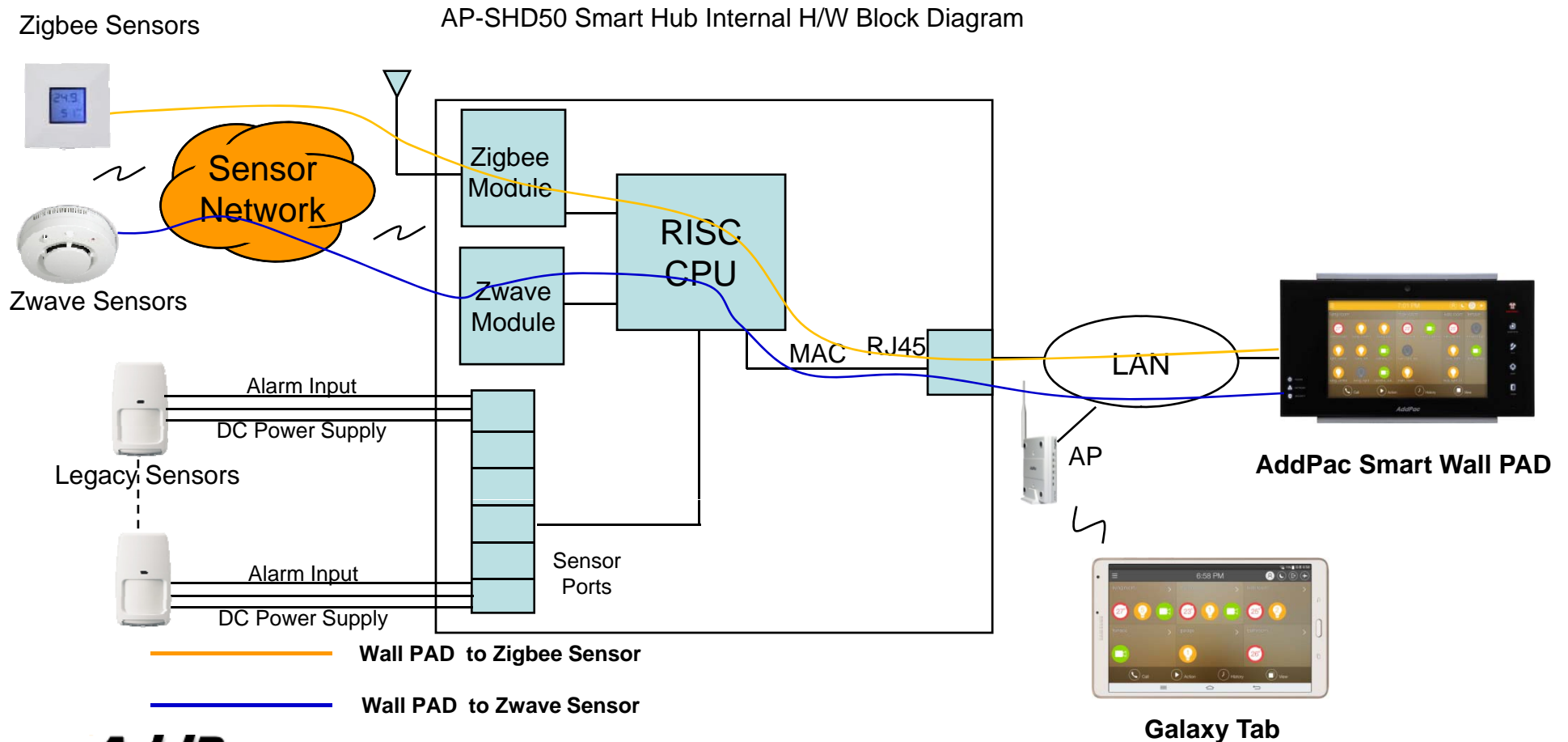
RISC  
CPU

- RISC Microprocessor Computing Power
- 1-Port Zigbee Interface
- 1-Port Zwave Interface
- 6-Port Wired Sensor
  - Alarm Input
  - Power Output for Sensor Power Supply
- Speaker Port, Beacon Port
- Network Interface
  - One(1) 10/100Mbps Fast Ethernet (RJ45)
- LAN LED, Port LEDs
- External Power Supply
- PoE (Power over Ethernet) : Option

# Hardware Specification

AP-SHD50 Smart Hub for Z Sensors & Wired Sensors

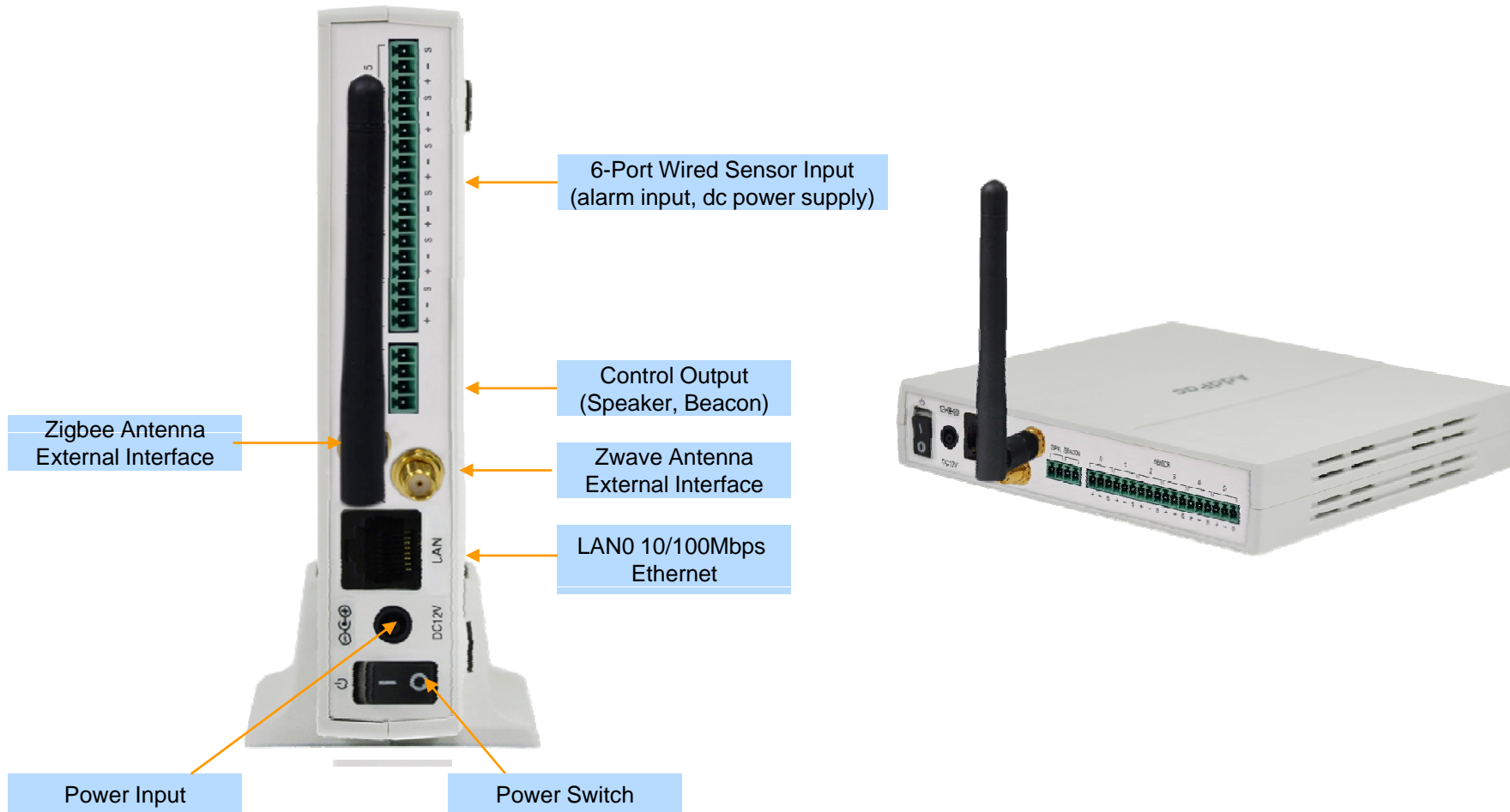
## Smart Hub Service Diagram



# Hardware Specification

AP-SHD50 Smart Hub for Z Sensors & Wired Sensors

## Network interface Configurations





# Thank you!

**AddPac Technology Co., Ltd.**  
Sales and Marketing

Phone +82.2.568.3848 (KOREA)

FAX +82.2.568.3847 (KOREA)

E-mail [sales@addpac.com](mailto:sales@addpac.com)