

Smart Hub Solution Hardware Comparison for Wireless/Wired Sensor Devices



AddPac

AddPac Technology






2014, Sales and Marketing

www.addpac.com

Contents

- Smart Home Equipment Table
- Smart Hub Solution Features (Advantage)
- Smart Hub Equipment Table
- Smart Hub Service Diagram
- Smart Hub Hardware Comparison
 - Standalone Model
 - Clone Model (L version)




Smart Home Equipment Table

Smart Home Products	Description	Model
	Smart Wall PAD	AP-VWP100, AP-VWP90, AP-VWP80
	IP Video Door Phones	AP-VAC20, AP-VAC50, AP-VAC80, AP-VAC150
	IP Video Phone (Bidirectional two-way video)	AP-VP280, AP-VP120, etc
	Smart Hub for Zigbee/Zwave Sensors	AP-SH50, AP-SAH50, AP-SHD50
	Smart Phone and Tab/Pad Appl.	

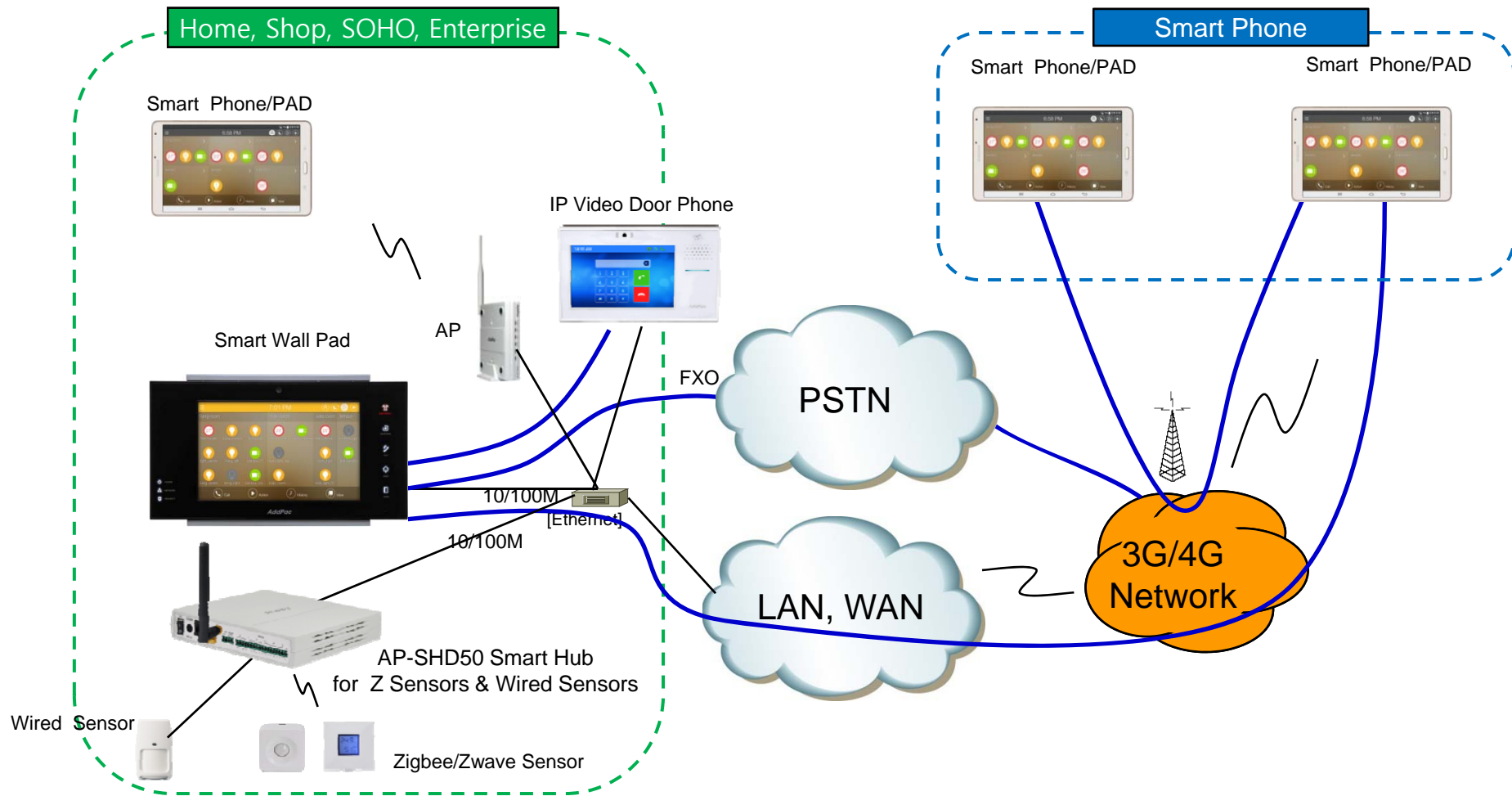
Smart Hub Solution Features

- Powerful Standalone Model: Smart Wall Pad or Smart Hub has full capability to provide smart home service to user via intranet or Internet. This model supports internal web server and also supports clone mode service beside standalone mode service.
- Flexible Multi-tenant Condominium Model (Clone Model) : Smart Home Server provides multi-tenant smart home solution including lobby camera, outdoor camera, and main entrance door phone. The Smart Hub for large apartment has minimum resource to LAN bridge smart home sensor device to Smart Home Server
- Smart Hub has interface for legacy wired devices and Wireless ZigBee / Z-Wave devices
 - It also support extended long cable antenna interface for enhancing wireless distance and flexible installation spot.(underground, outdoor, etc)
- Support Multiple Smart Hubs for Large Premise
 - A smart home user can install multiple Smart Hubs extending wireless limit.
- Provides Powerful Call Scenarios between SIP terminals.
 - Smart Wall Pad and Smart Hub provides call between SIP video door phone, SIP door phone, Android / I-Phone Smart Home App, PSTN phone, and other subscribers Smart Wall pads.
- Provides Zone based Intuitive UI
 - Zone Summary UI provides intuitive and easy UI for handling alarm and devices.

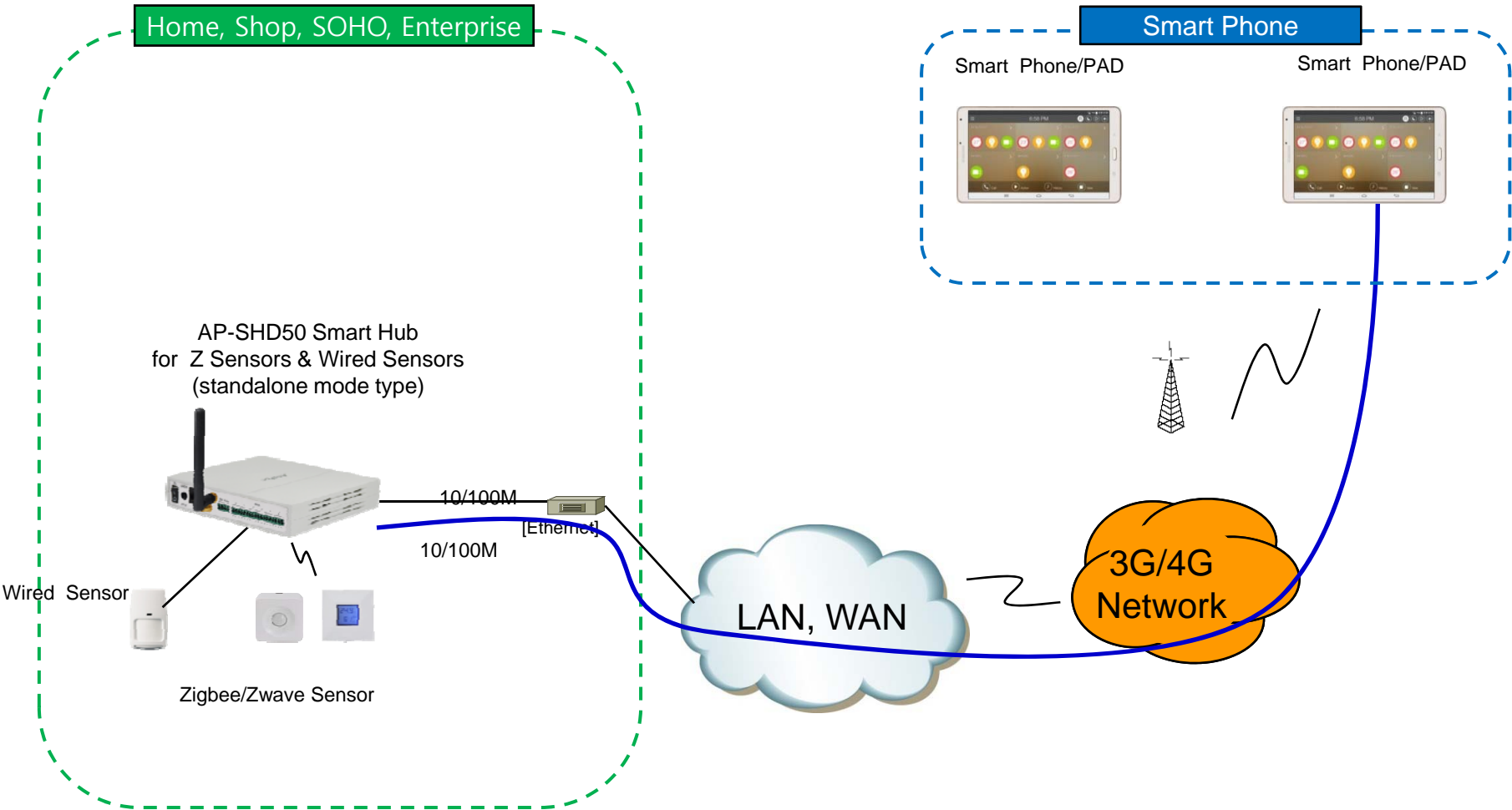
Smart Hub Equipment Comparison Table

Model	AP-SH50	AP-SAH50	AP-SHD50
Service Features			
Sensor Type	Wireless Zigbee, Zwave	Wired	Wireless/Wired Zigbee, Zwave
Wired Sensor Port	N/A	6-Port	6-Port
Smart Appl. for Phone, PAD	Support	Support	Support
Smart Web Manager	Support	Support	Support
LAN Port	1	1	1
PoE(Optional)	Option	Option	Option

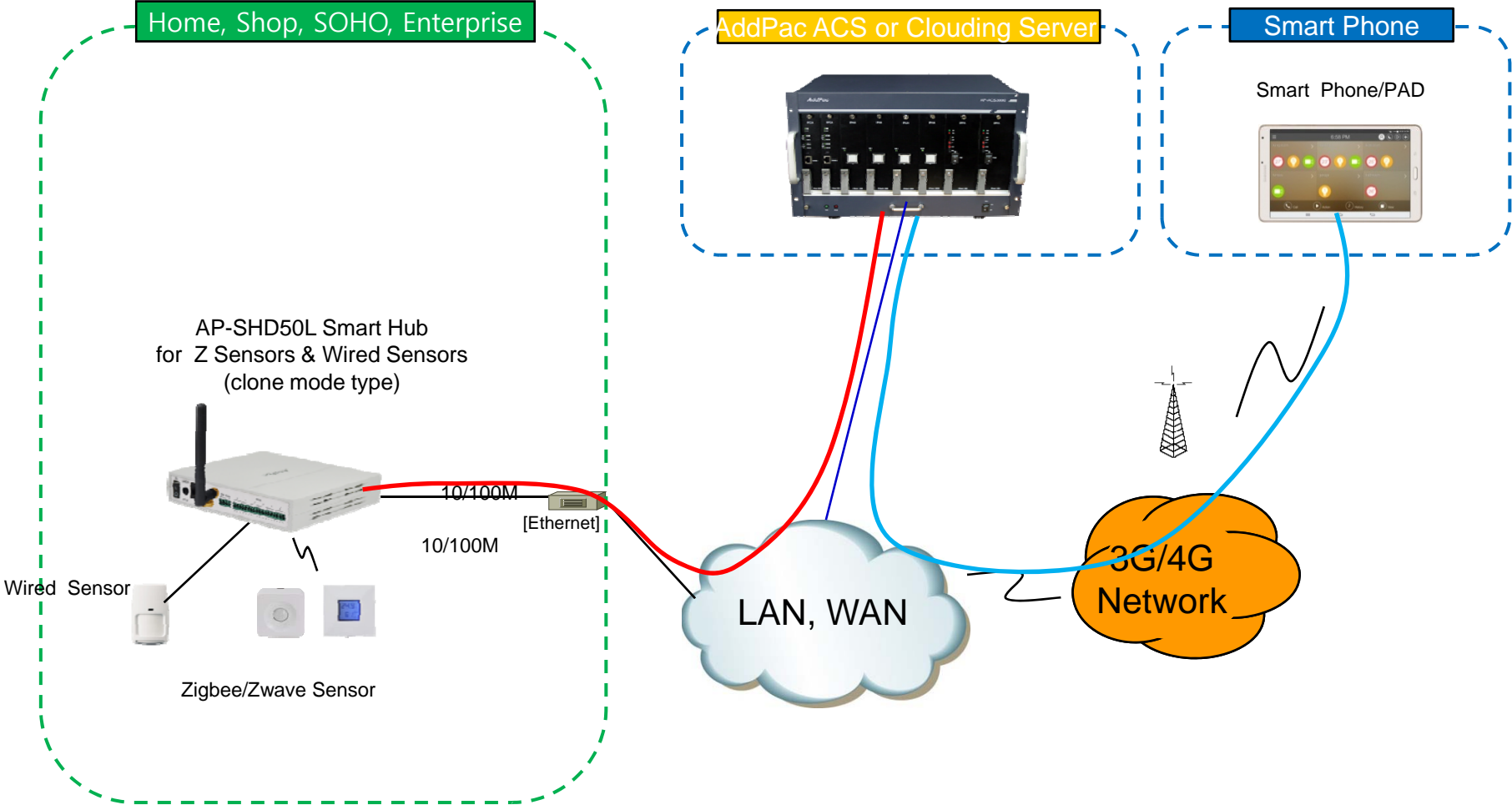
Smart Hub Service Diagram (Smart Home Solution)




Smart Hub Service Diagram (Standalone Type Smart Hub Device)



Smart Hub Service Diagram (Clone Type Smart Hub Device)

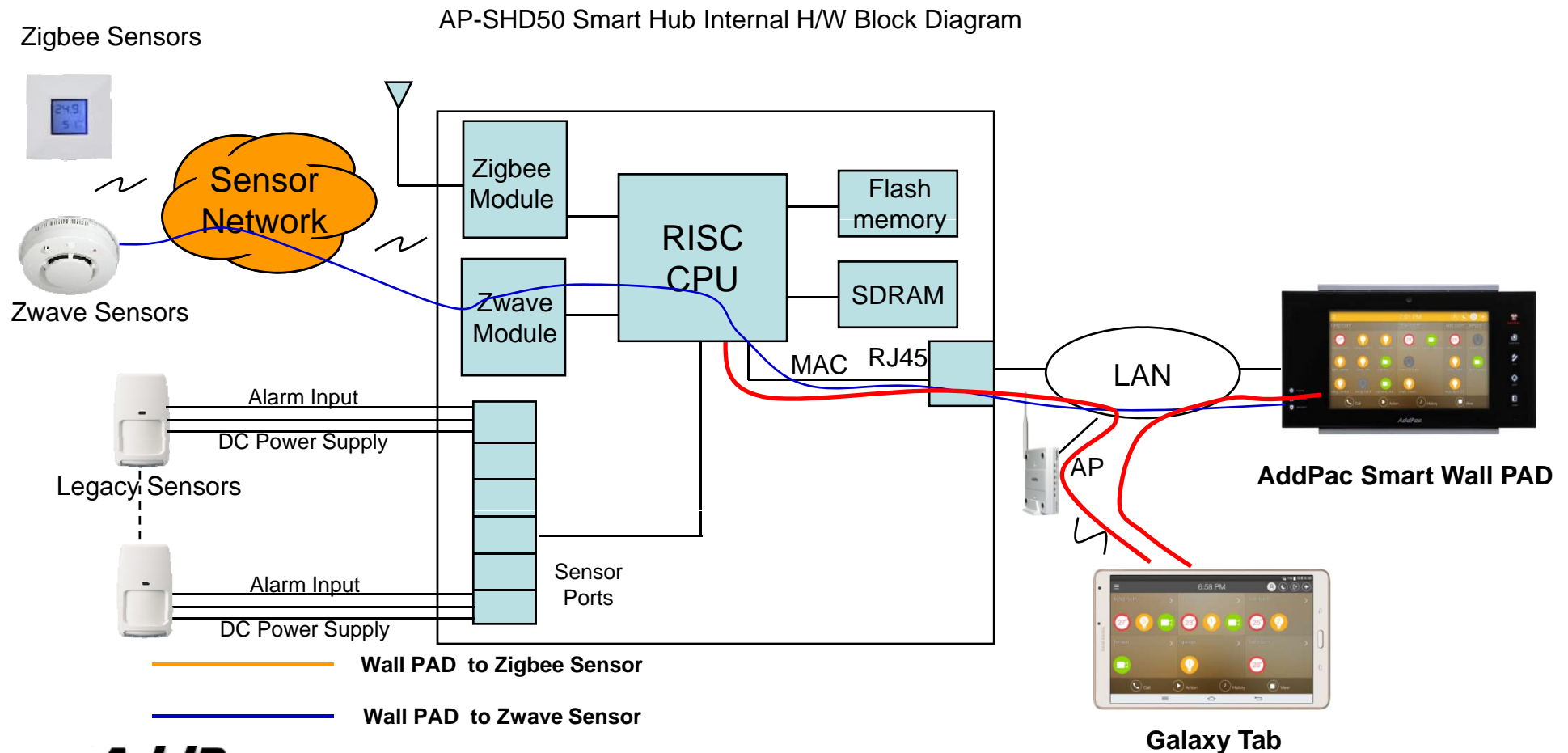




Smart Hub Hardware Comparison (AP-SHD50, AP-SHD50L)

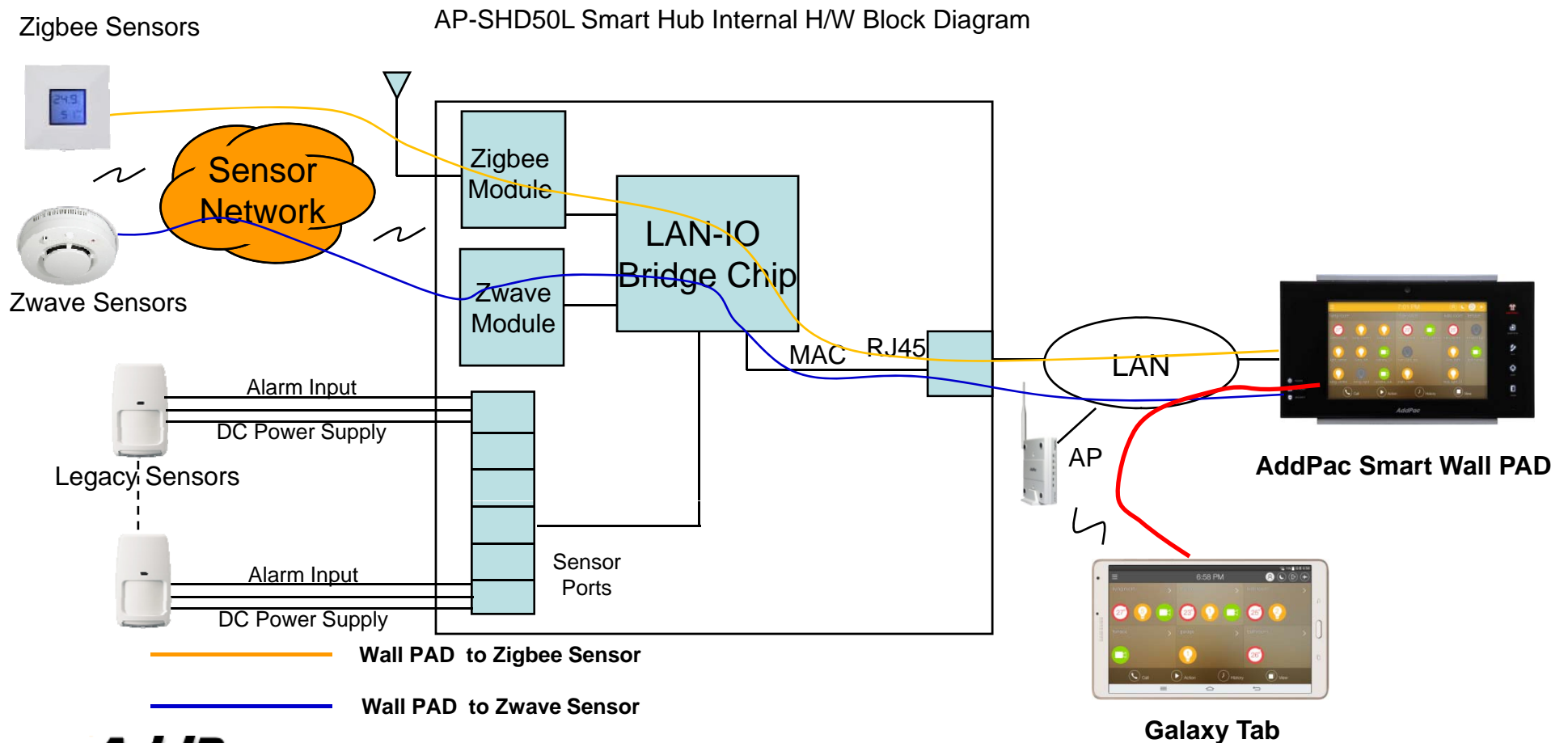
AP-SHD50 Smart Hub for Z Sensors & Wired Sensors

Standalone Service Model Diagram



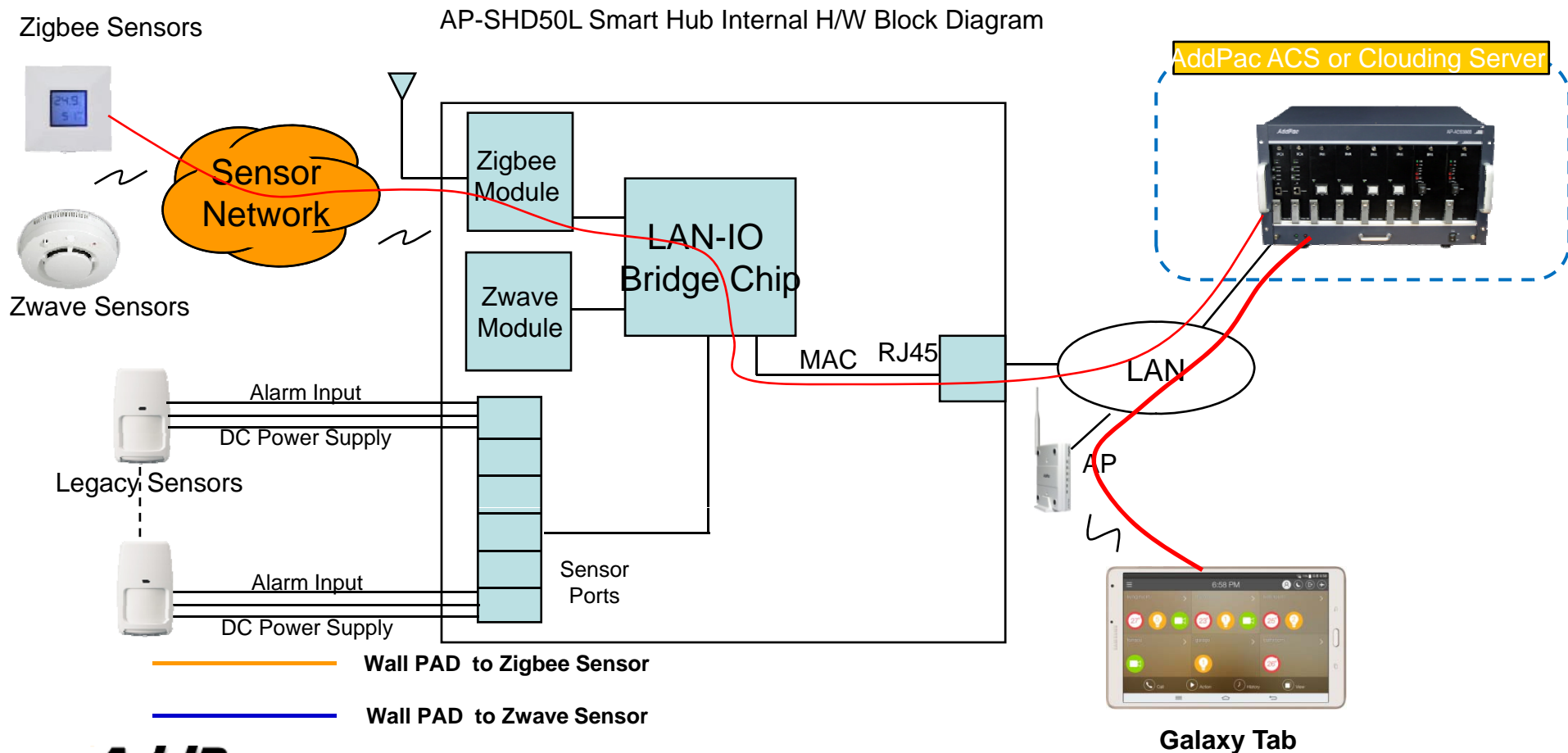
AP-SHD50L Smart Hub for Z Sensors & Wired Sensors

Clone Mode Service Model Diagram



AP-SHD50L Smart Hub for Z Sensors & Wired Sensors

Clone Mode Service Model Diagram





Thank you!

AddPac Technology Co., Ltd.
Sales and Marketing

Phone +82.2.568.3848 (KOREA)

FAX +82.2.568.3847 (KOREA)

E-mail sales@addpac.com