

Enterprise Analog Video Door Phone Solution



AddPac

AddPac Technology

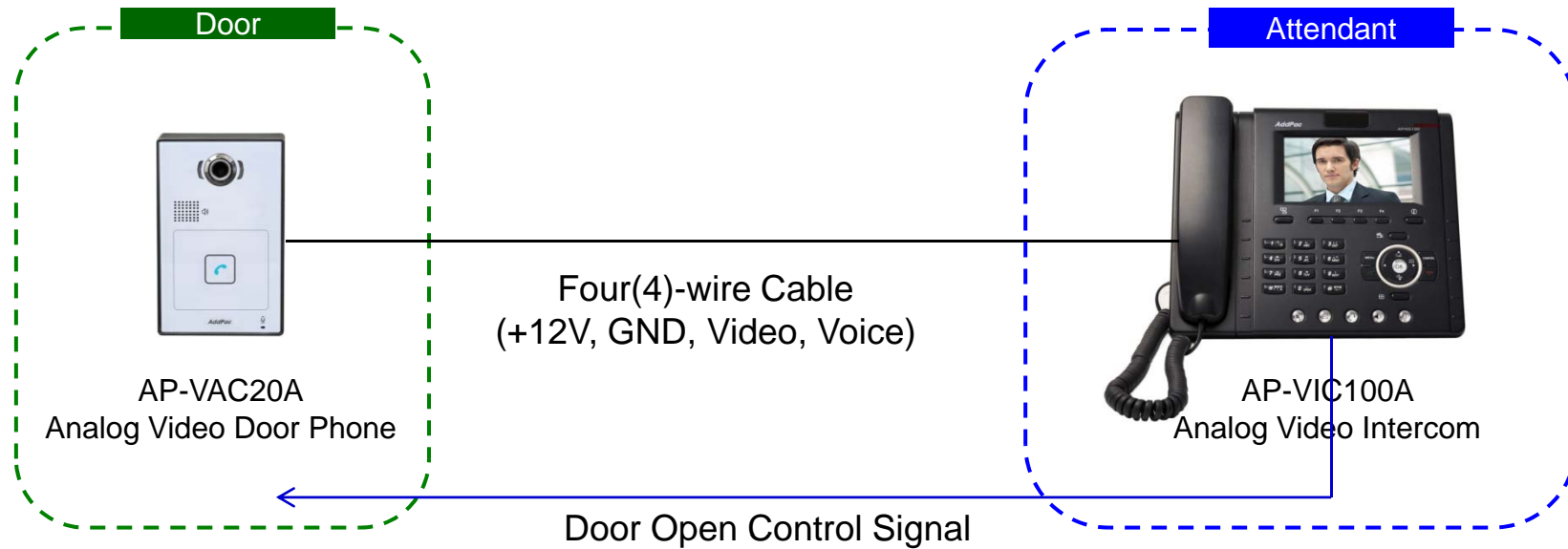
Sales and Marketing


www.addpac.com

Contents

- Analog Video Door Phone Service Diagram
- Analog Video Door Phone Solution
 - AP-VAC20A
- Backend Solution
 - AP-VIC100A Analog Video Intercom

Network Service Diagram





Analog Video Door Phone (AP-VAC20A)

Product Overview

AP-VAC20A Analog Video Door Phone

- Analog Video Door Phone Solution
- High Quality Video Camera
- One(1) Touch Call Button (Back Light Support)
- Internal MIC & Speaker
- Power Feeding from External Analog Video Door Intercom
- Four(4) Line Wiring : +12V, Video, Voice, GND

Hardware Specification

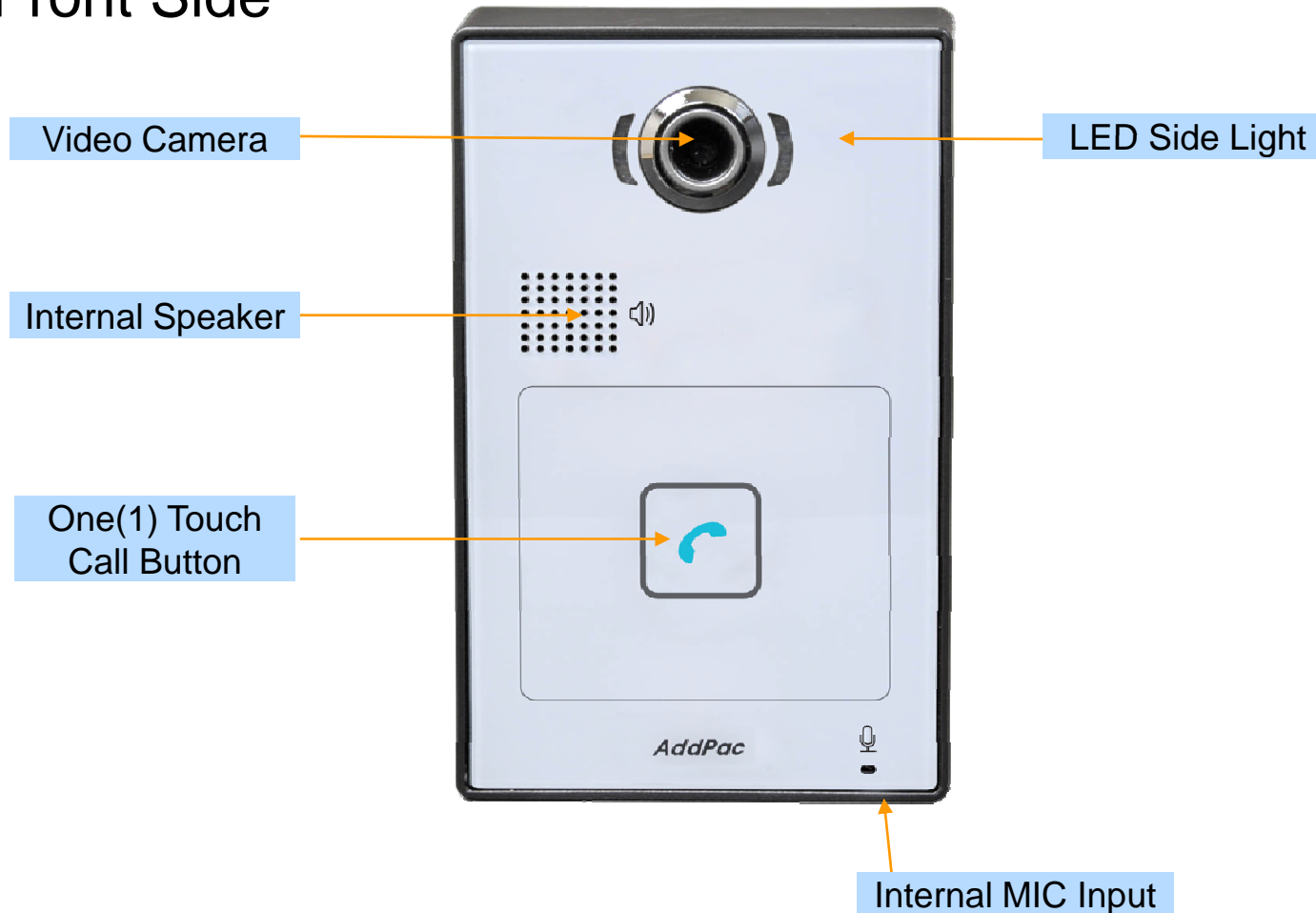
AP-VAC20A Analog Video Door Phone

- MICOM Computing Power
- Audio and Voice Interface
 - Internal MIC
 - Internal Speaker
- Video Camera Interface (CVBS)
- One(1) Touch Call Button (Back Light)
- Power Supply
 - +12V Power Feeding from External Analog Video Door Intercom

Hardware Specification

AP-VAC20A Analog Video Door Phone

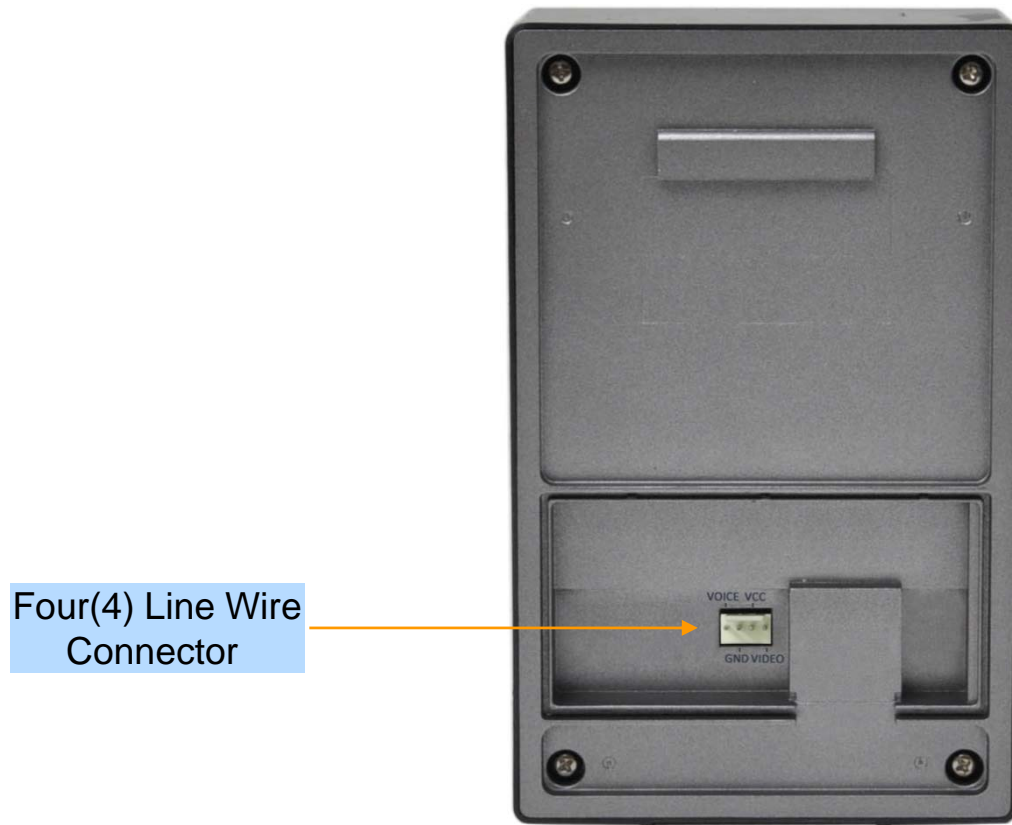
Front Side



Hardware Specification

AP-VAC20A Analog Video Door Phone

Back Side



Four(4) Line Wire
Connector



Backend Solution

(AP-VIC100A Analog Video Intercom)

Product Overview

AP-VIC100A Analog Video Intercom

- Analog Video Intercom Solution
- 5 Inch TFT Color LCD Display
- Internal MIC & Speaker
- Speaker Phone Function Support
- Mute Function Support
- Handset Support
- Four(4) Line Wiring : +12V, Video, Voice, GND
- Video Information Setting by Menu Key : Brightness, Contrast, etc
- Power Feeding to External Analog Video Door Phone
- Door Open Key Support

Hardware Specification

AP-VIC100A Analog Video Intercom

- MiCOM Computing Power
- Audio and Voice Interface
 - Internal MIC
 - Internal Speaker
- Speaker Phone
- TFT Color LCD Interface
 - 5 Inch LCD, WQVGA Video Resolution
- Handset Interface
- Four(4) Line Wiring : +12V, Video, Voice, GND
- Power Feeding
 - +12V Power Feeding to External Analog Video Door Phone
- Power Supply
 - External Power Supply



Hardware Specification

AP-VIC100A Analog Video Intercom



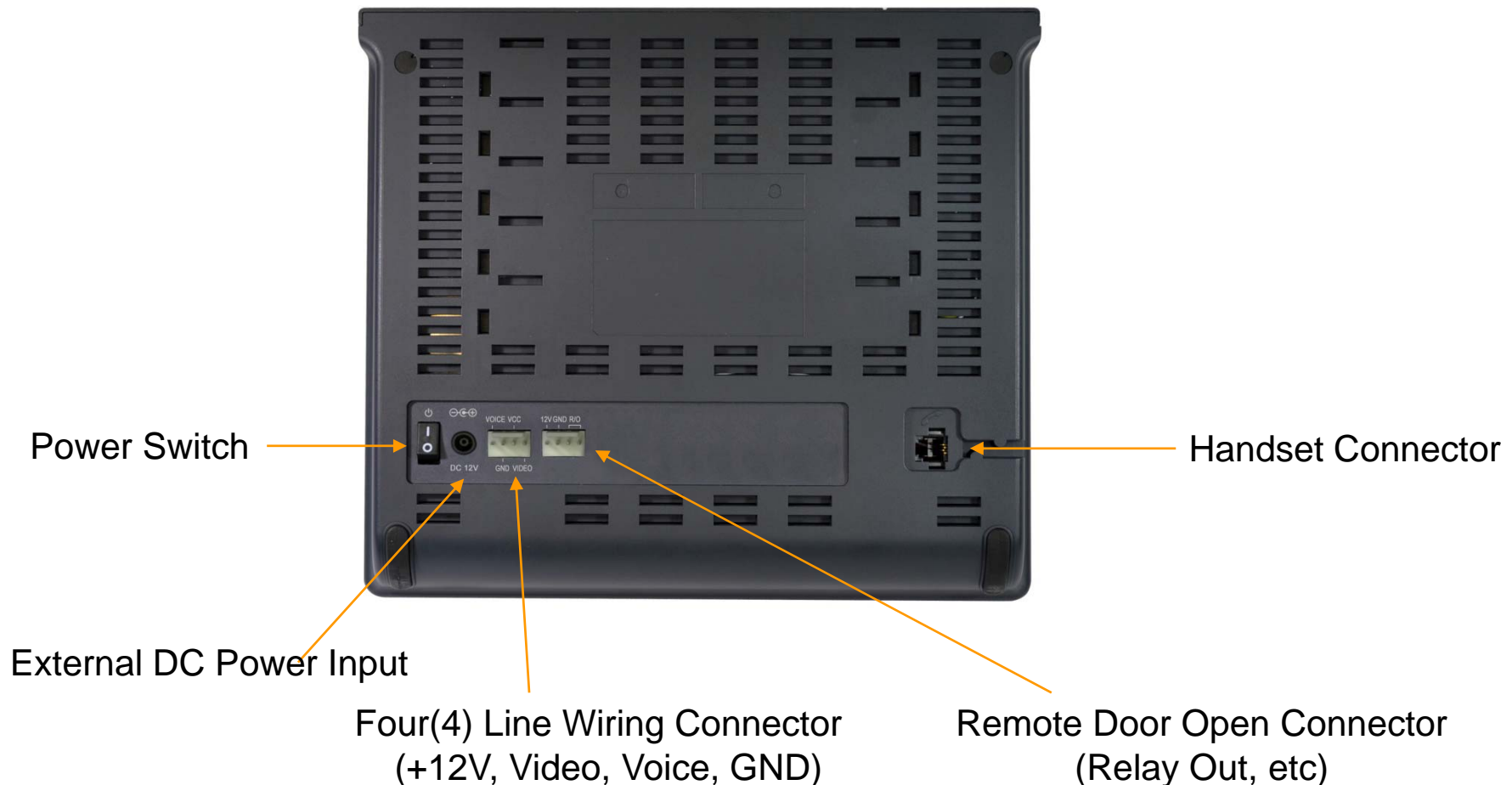
Hardware Specification

AP-VIC100A Analog Video Intercom



Hardware Specification

AP-VIC100A Analog Video Intercom





Thank you!

AddPac Technology Co., Ltd.
Sales and Marketing

Phone +82.2.568.3848 (KOREA)

FAX +82.2.568.3847 (KOREA)

E-mail : sales@addpac.com