

AP-VP280™

BcN Video Phone

High Performance Broadband Convergence Network
Video Phone Solution

Stun Client Features



AddPac

AddPac Technology

2008, Sales and Marketing

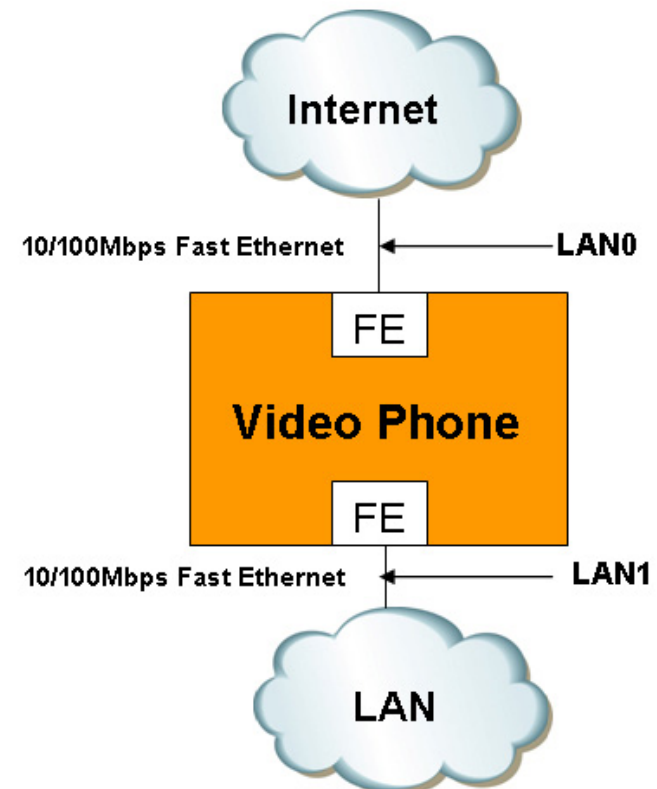
www.addpac.com

Contents

- AP-VP280 H/W Specification
- What is STUN ?
- Network Service Diagram
- APOS Commands for STUN function

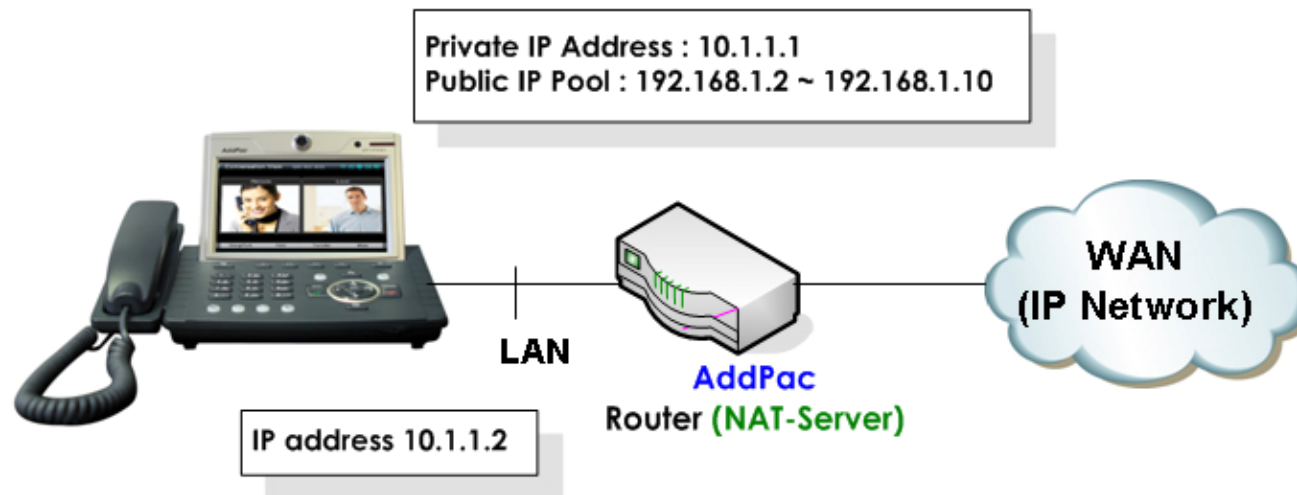
AP-VP280 H/W Specification

- **RISC+DSP (Audio Codec) Microprocessor Computing Power(Dual Processor Architecture)**
- **Powerful DSP for Video Signal Processing**
- **“7 Inch LCD Monitor Display**
- **Dual Monitor Emulation for Document Share, Broadcasting, VoD Application, etc.**
- **PSTN Interface : Option**
 - FXO Interface
- **High quality Audio and Video Interface**
 - RCA, S-Video Video Out, RCA Video In
 - 3.5mm Audio In/Out
- **USB Host Mode Interface**
- **Network Interface**
 - Two(2) 10/100Mbps Fast Ethernet
 - One(1) RS-232C Console(RJ45)
- **Power Supply**
 - External Power Adaptor (5V, 5A)

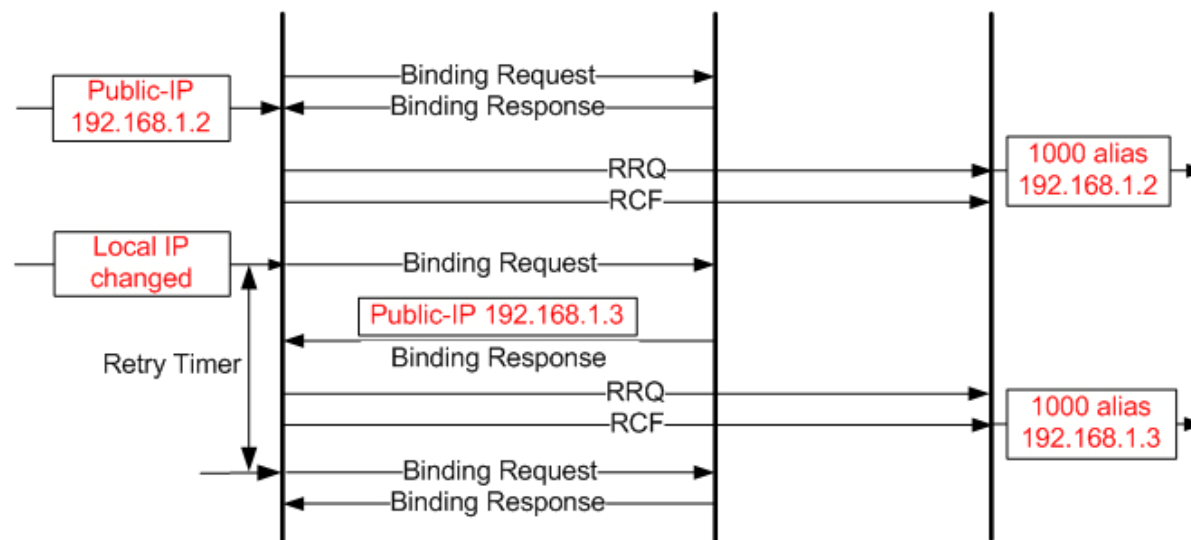
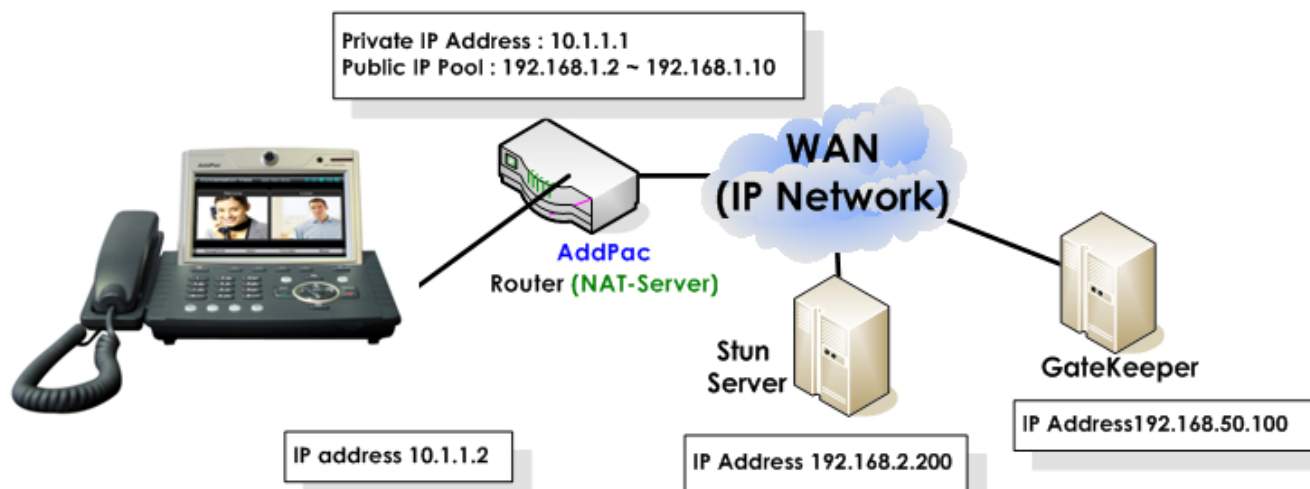


What is STUN ?

- STUN (Simple Traversal of User Datagram Protocol(UDP) Through Network Address Translators(NATs)) : RFC3849
- UDP based Protocol
- Protocol for solving the Dynamic Public IP address Problem in Private/Public IP Mapping Environment



Network Service Diagram



APOS Commands for STUN

STUN Function Enable

Step	Command	Explanation
1	# config	Enter the APOS command Setting Mode
2	(config)# interface eth 0.0	Enter the interface setting mode
3	(config-ether0.0)# ip stun-server 61.33.161.111	IP address setting of stun server
4	(config-ether0.0)# ip stun-server retry-time 10	Periodic stun request message interval setting

STUN Function Disable

Step	Command	Explanation
1	(config-ether0.0)# no ip stun-server	stun function release

Video Phone Series

Thank you!

AddPac Technology Co., Ltd.
Sales and Marketing

Phone +82.2.568.3848 (KOREA)

FAX +82.2.568.3847 (KOREA)

E-mail sales@addpac.com