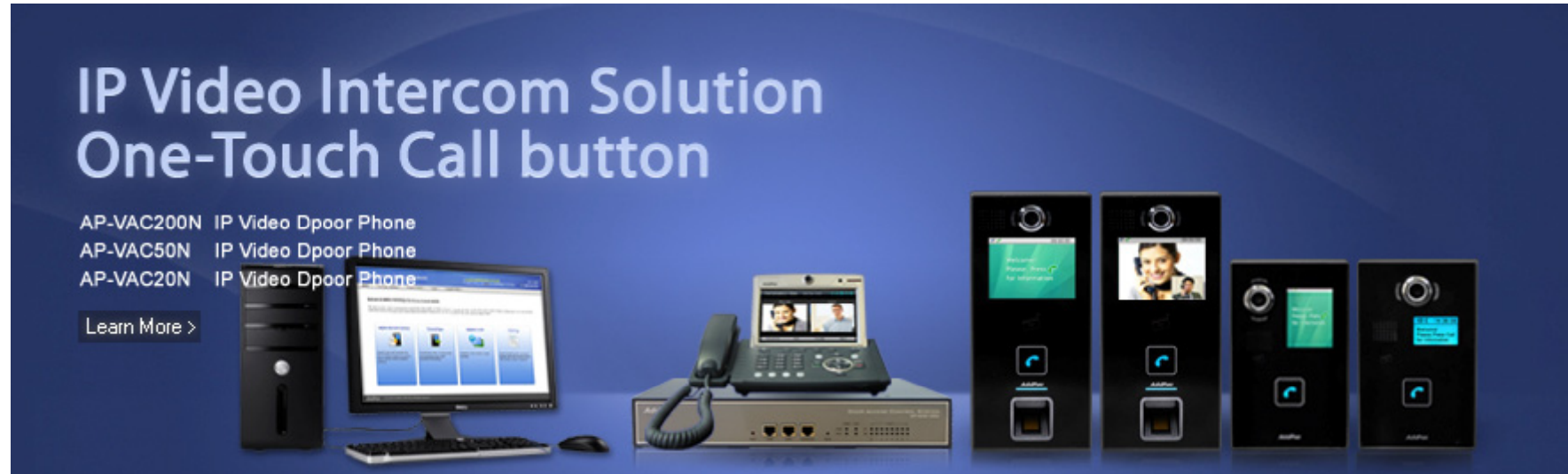


# IP Video Intercom Solution



IP Video Intercom Solution  
One-Touch Call button

AP-VAC200N IP Video Dpoor Phone  
AP-VAC50N IP Video Dpoor Phone  
AP-VAC20N IP Video Dpoor Phone

Learn More >

The advertisement features a dark blue background with a white computer monitor displaying a website, a black desktop tower, a silver IP video phone on a base, and four black wall-mounted IP video phones. The wall-mounted phones have small screens and one-touch call buttons.

***AddPac***

**AddPac Technology**

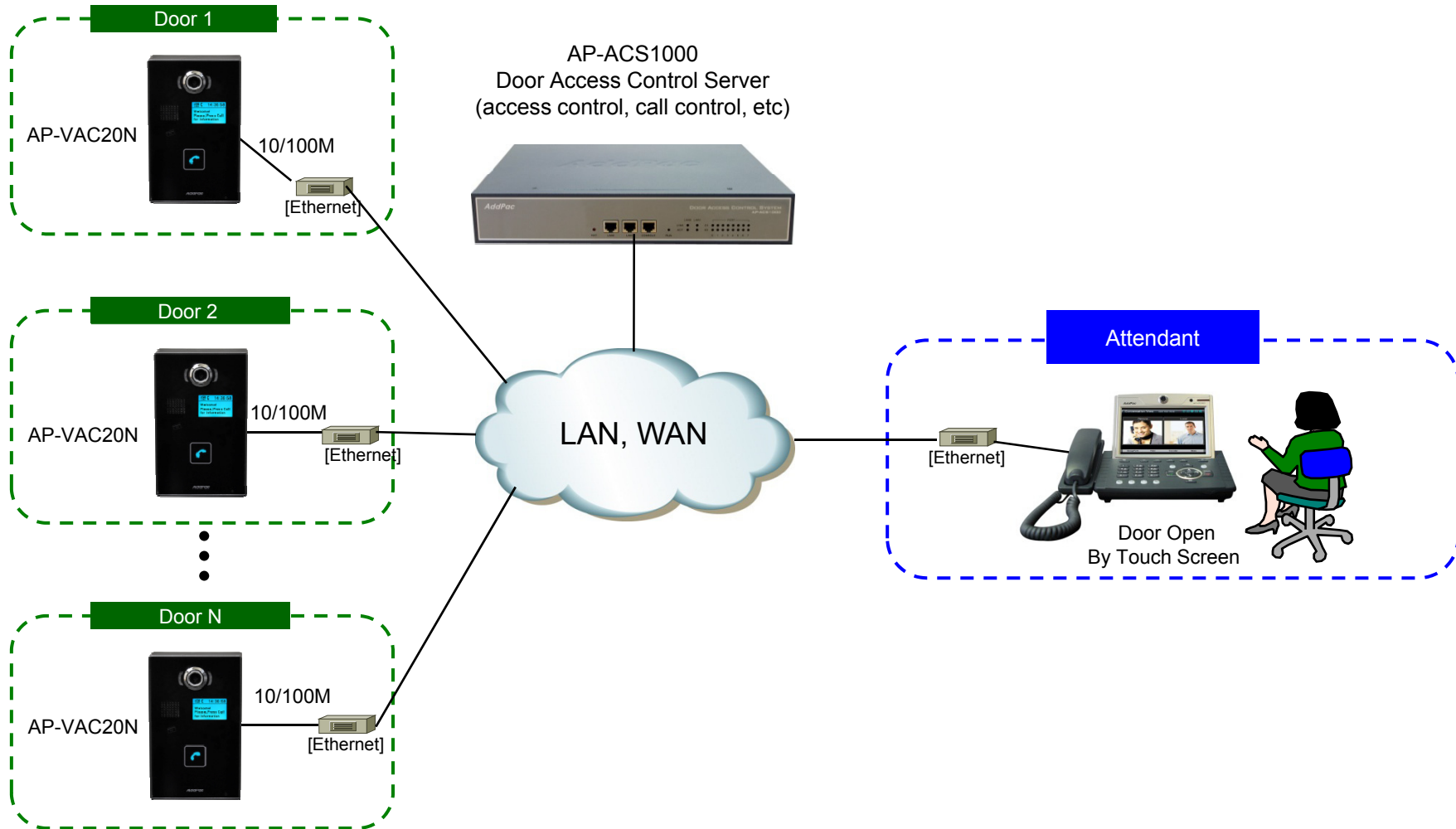
Sales and Marketing

[www.addpac.com](http://www.addpac.com)

# Contents

- IP Video Intercom Service Diagram
- IP Video Intercom Solution
  - AP-VAC20N
  - AP-VAC50N
  - AP-VAC200N
- Backend Solution
  - AP-ACS1000 IP Door Access Control Server
  - AP-VP280, AP-VP120 IP Video Phone
  - AP-VIC100 IP Video Intercom
  - AP-SMP100 IP Soft Video Phone
  - Video Only Door Control S/W for Desktop

# IP Video Intercom Service Diagram





# One Touch Call Button SIP Video Intercom

# One Touch Call Button SIP Video Intercom Comparison Table

Model	AP-VAC200N	AP-VAC50N	AP-VAC20N
Service Features			
Duplex (Voice)	Full Duplex	Full Duplex	Full Duplex
Key Pad	One(1) Call Button	One(1) Call Button	One(1) Call Button
LCD	3.5inch LCD	2inch LCD	Graphic LCD
RF Card	Support	Support	Support
Fingerprint	Support	N/A	N/A
Camera Sensor	SD(VGA)	SD(VGA)	SD(VGA)
Video Codec	SD, H.264/MPEG4	SD, H.264/MPEG4	SD, H.264/MPEG4
Voice Codec	G.711	G.711	G.711
Signaling	H.323/SIP	H.323/SIP	H.323/SIP
MIC & Speaker Phone	Support	Support	Support
LAN Port	1	1	1
PoE (Option)	Support	Support	Support



AP-VAC200N  
One Touch Call Button  
SIP Video Intercom

# Product Overview

## AP-VAC200N Fingerprint Recognition SIP Video Intercom

- High Performance SIP Video Intercom Solution
- Video Camera, Video Call Button, TFT Color LCD, Internal MIC & Speaker
- High Quality 3.5 Inch LCD, 320 x 240 Video Resolution
- Fingerprint Recognition Support
- RF Card Support
- SIP VoIP Signaling Stack Embedded
- High-performance Video/Voice Codec Support
  - H.264/MPEG4, G.711, etc
- One(1) 10/100Mbps Fast Ethernet
- PoE(Power over Ethernet) Support
- High Quality Speaker Phone Features
- Powerful Acoustic Echo Canceller Chip Embedded
- Powerful Network Protocols (PPPoE, DHCP, Static Routing, etc)
- Firmware Upgradeable Architecture
- Advanced Voice QoS Mechanism

# Hardware Specification

AP-VAC200N Fingerprint Recognition SIP Video Intercom

RISC  
CPU

High-end  
DSP

- **Acoustic Echo Canceller**
  - Full-duplex operation during double-talk situations
  - One channel AEC, one channel LEC up to 256ms shared
  - Cancels echoes with up to 10dB echo return
  - Advanced noise reduction(up to 20dB)
- **Speaker**
  - Impedance : 8 +/-15%ohm at 1kHz, 1.0 Vrms
  - Sound Pressure : 90 +/- 3dB at 0.1W/10 CM  
at 800Hz, 1.0kHz, 1.2kHz, 1.5kHz
  - Resonance Level : 550Hz +/- 20%Hz at Fo Hz, 1.0Vrms
  - Frequency Range : Fo Hz ~20kHz
  - Input Power : Normal : 1.0 W, Max : 2.0W
- **Audio Amplifier**
  - 1-W BTL Output(5V, 0.11 % THD+N)
  - Uncompensated Gains of 2 to 20 (BTL Mode)
  - Thermal and Shot-circuit Protection
  - High Supply Ripple Rejection Ratio
- **PoE(Power over Ethernet)**
  - IEEE802.3af compliant
  - Input voltage range 36V to 57V
  - Short-circuit Protection



# Hardware Specification

AP-VAC200N Fingerprint Recognition SIP Video Intercom

RISC  
CPU

High-end  
DSP

- **LCD Controller**
  - One-Chip Solution for amorphous TFT-LCD
  - Support resolution up to 240xRGBx320
  - Built-in 172800 bytes internal RAM
  - 6,8,16, and 18-bit RGB Interface
  - Resize Function ( x ½, x ¼)
  - On-Chip Power Management System
- **Camera**
  - High Sensitivity for low-light operation
  - Output support for Raw RGB, RGB, and YCrCb format
  - Image Size : VGA, QVGA, and any size scaling down from CIF to 40x30
  - Support AEC, AGC,AWB, ABF, ABLC
  - Saturation Level, Edge Enhancement Level, De-noise level Auto adjust

# Hardware Specification

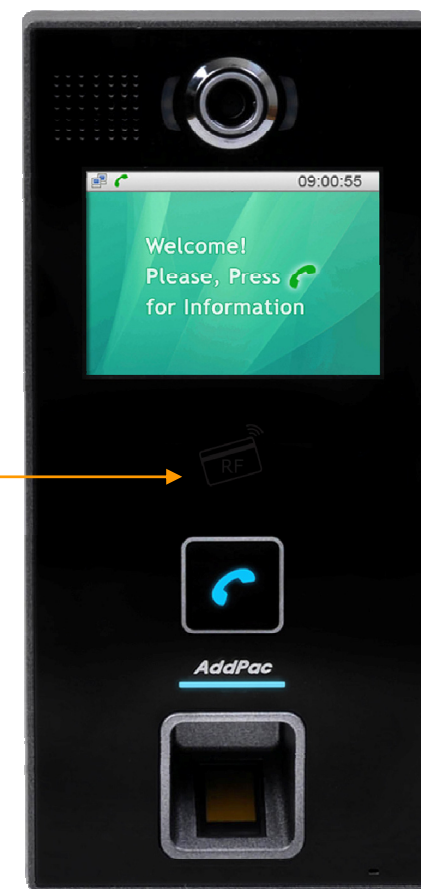
AP-VAC200N Fingerprint Recognition SIP Video Intercom

RISC  
CPU

High-end  
DSP

- RF Card Sensor
  - Protocol Supported
    - ISO14443A/B all bit rates
      - > 106,212,424 and 848 kbps
    - Compatible to MiFare Classic
    - ISO15693 all modes
      - > 1.65/6.6 & 26.5 kbps
      - > Uplink 1 & 2 sub-carrier
  - Receiver
    - Rx Sensitivity down to 1mVrms
    - Rx Automatic Gain Control
    - Accept external baseband signal from external circuitry for frame level processing
    - Integrated signal strength indicator (SSI)
    - On-Chip Framing handler for supported standard
  - Transmitter
    - Typical proximity operating distance up to 100mm.
    - Software configurable modulation index
    - Maximum driving current up to 200 mA/PIN @ 5V
    - Accept external baseband signal for RF modulation
    - Wide Transmitter driver supply range from 2.7~7.0V

RF Card Sensor



# Hardware Specification

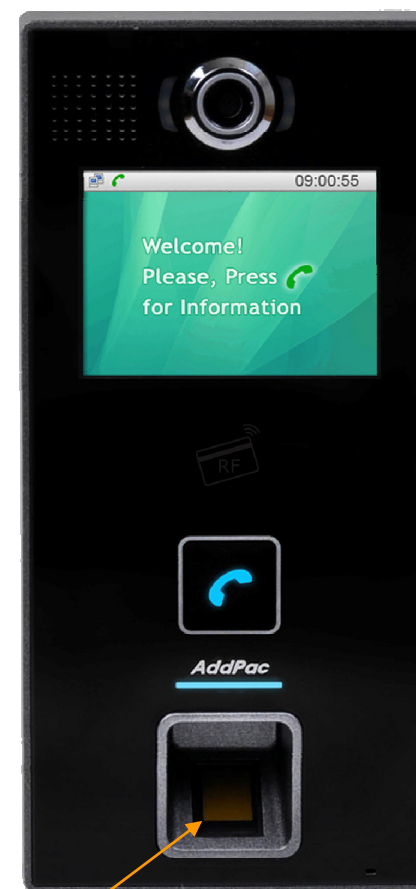
AP-VAC200N Fingerprint Recognition SIP Video Intercom

RISC  
CPU

High-end  
DSP

- Fingerprint Recognition

- Sensor Type : Capacitive
- Resolution(dpi) : 508
- Sensing Area(mm) : 12.8 x18.0
- Image Size(pixel) : 256 x 360
- CPU : 400MHz DSP
- Flash Memory : 4MB
- ERR : < 0.1%
- Enrollment Time : 800msec
- 1:1 Verification Time : 800msec
- 1:1000 Identification Time : 970msec
- Template Size : 256~384bytes (configurable, 384bytes default)
- Template Capacity : 9,000
- Encryption : 256bit AES



Fingerprint Recognition

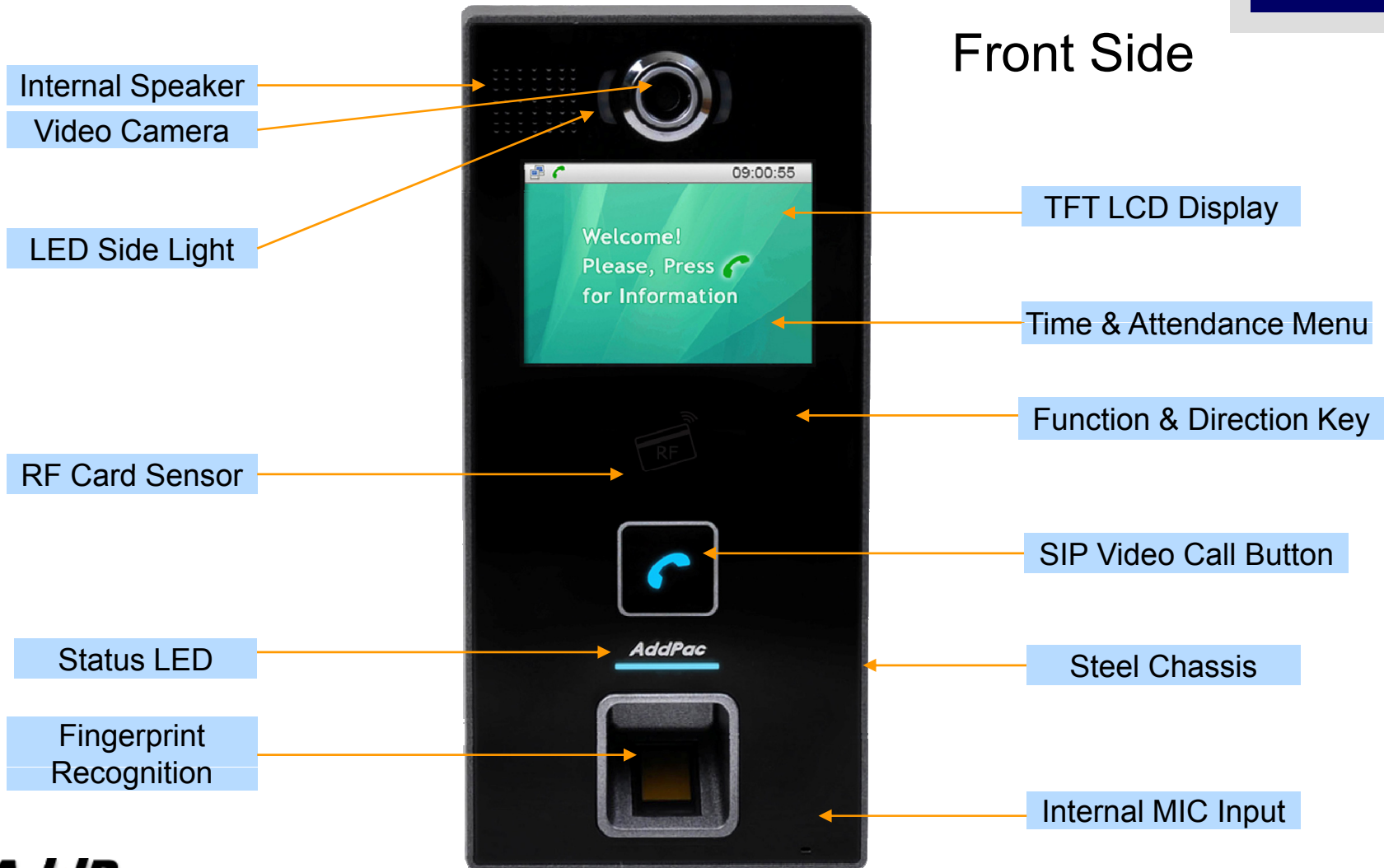
# Hardware Specification

AP-VAC200N Fingerprint Recognition SIP Video Intercom

RISC  
CPU

High-end  
DSP

## Front Side



**AddPac**

[www.addpac.com](http://www.addpac.com)

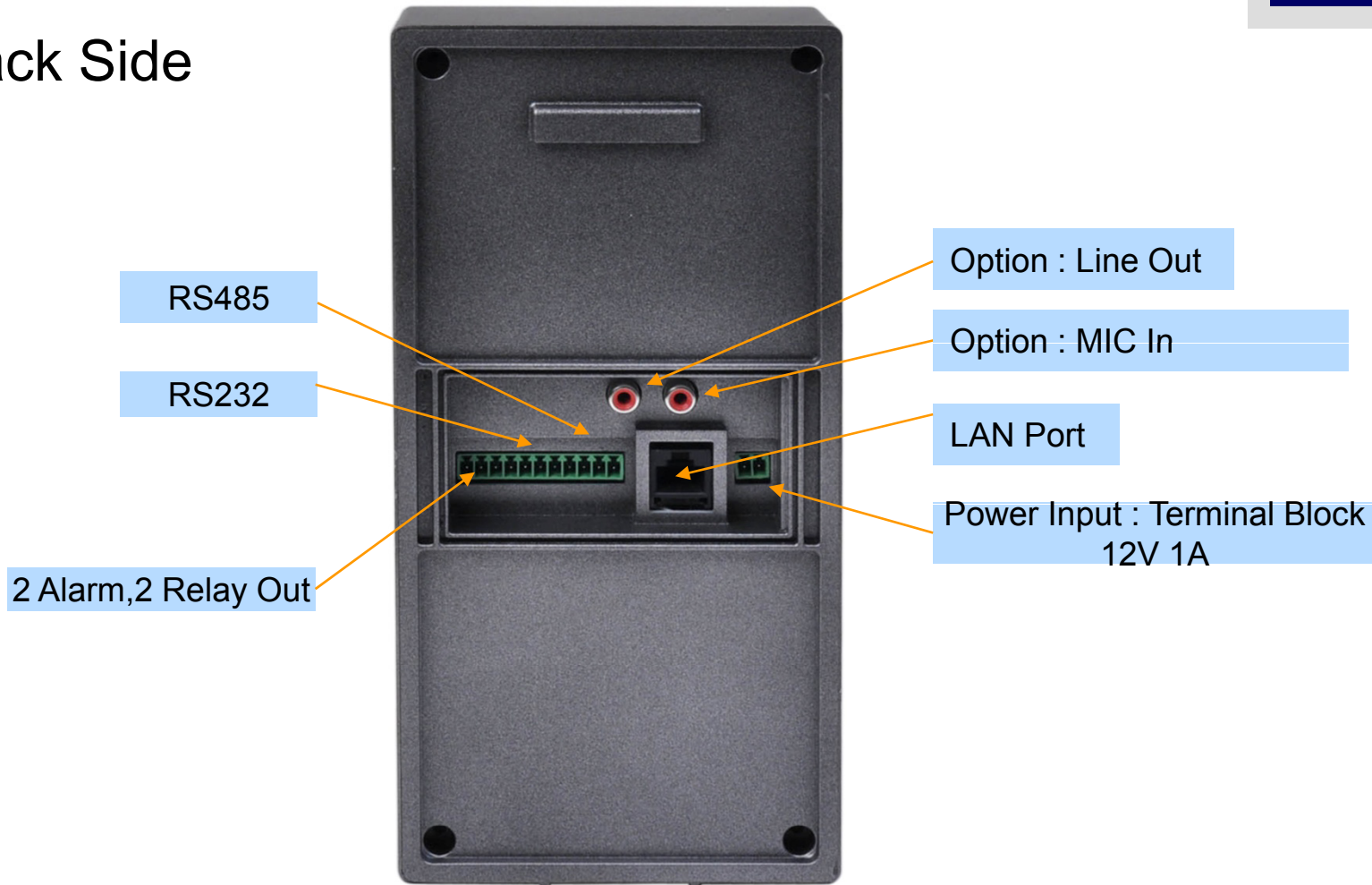
# Hardware Specification

AP-VAC200N Fingerprint Recognition SIP Video Intercom

RISC  
CPU

High-end  
DSP

## Back Side



# Hardware Specification

AP-VAC200N Fingerprint Recognition SIP Video Intercom

RISC  
CPU

High-end  
DSP

## Power Supply


Terminal Block



12V 1A Power Adaptor

Example





AP-VAC50N  
One Touch Call Button  
SIP Video Intercom

# Main Features

## AP-VAC50N One-Touch Call Button SIP Video Intercom

- High Performance IP Video Intercom Solution
- Video Camera, One(1) Call Button, TFT Color LCD, Internal MIC & Speaker
- H.323/SIP Concurrent VoIP Signaling Stack Embedded
- RF Card Interface
- High-performance Video/Voice Codec Support
  - H.264/MPEG4, G.711, etc
- One(1) 10/100Mbps Fast Ethernet
- PoE(Power over Ethernet) Support
- High Quality Speaker Phone Features
- Powerful Acoustic Echo Canceller
- Powerful Network Protocols (PPPoE, DHCP, Static Routing, etc)
- Firmware Upgradeable Architecture
- Advanced Voice QoS Mechanism



# Hardware Specification

## AP-VAC50N One-Touch Call Button SIP Video Intercom

- RISC+DSP Microprocessor Computing Power (Dual Processor Architecture)
- Audio and Voice Interface
  - Internal MIC
  - Internal Speaker
- Video Camera Interface
- 2 Inch TFT Color LCD Interface
- One(1) Touch Call Button
- RF Card Interface
- Network Interface
  - One(1) 10/100Mbps Fast Ethernet
- Alarm & Relay Out Interface (door open, etc)
- RS232/RS422/RS485 Interface
- Power Supply
  - Power over Ethernet (Option)
  - External Power Supply

# Hardware Specification

AP-VAC50N One-Touch Call Button SIP Video Intercom

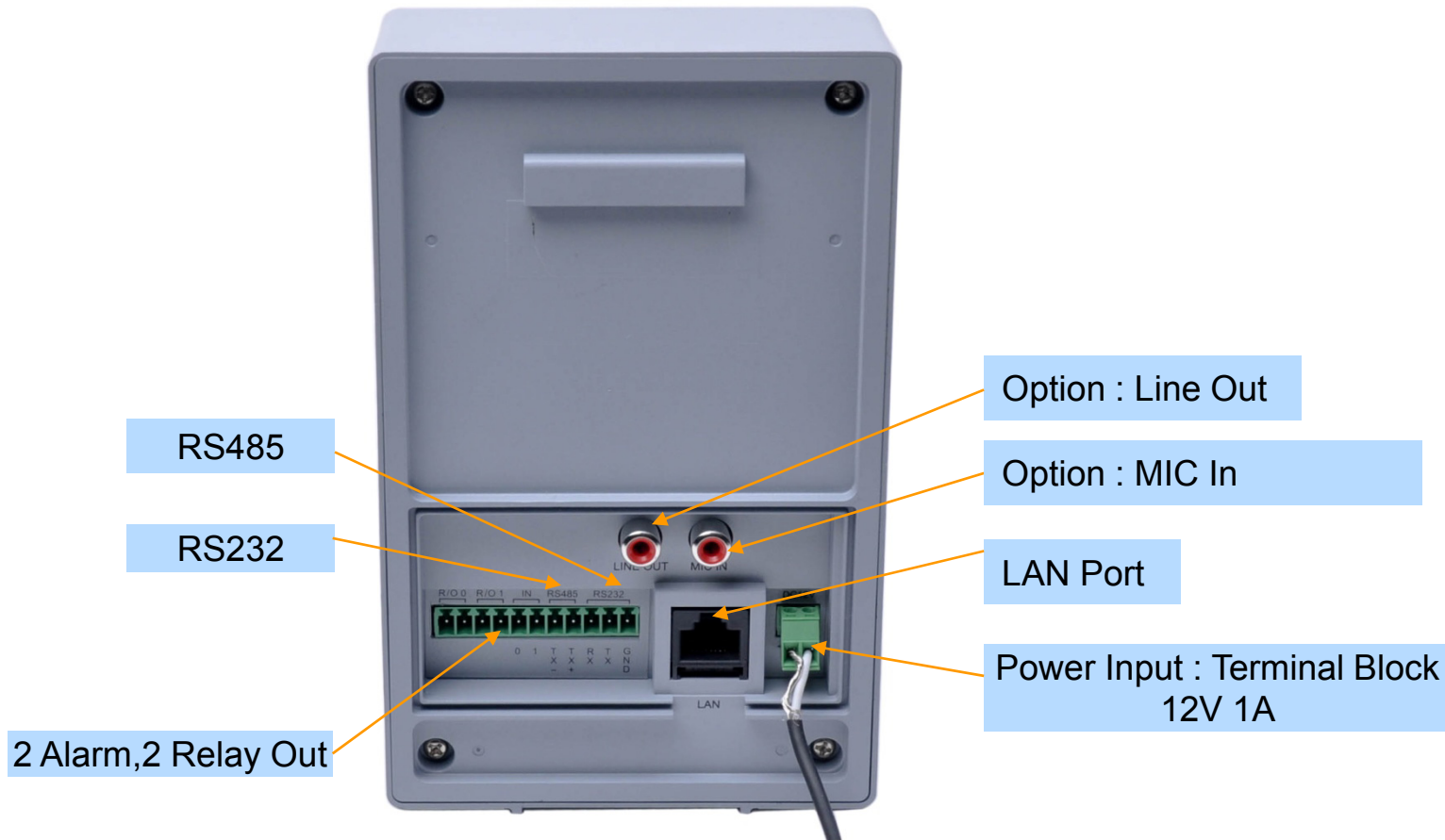
## Front Side



# Hardware Specification

AP-VAC50N One-Touch Call Button SIP Video Intercom

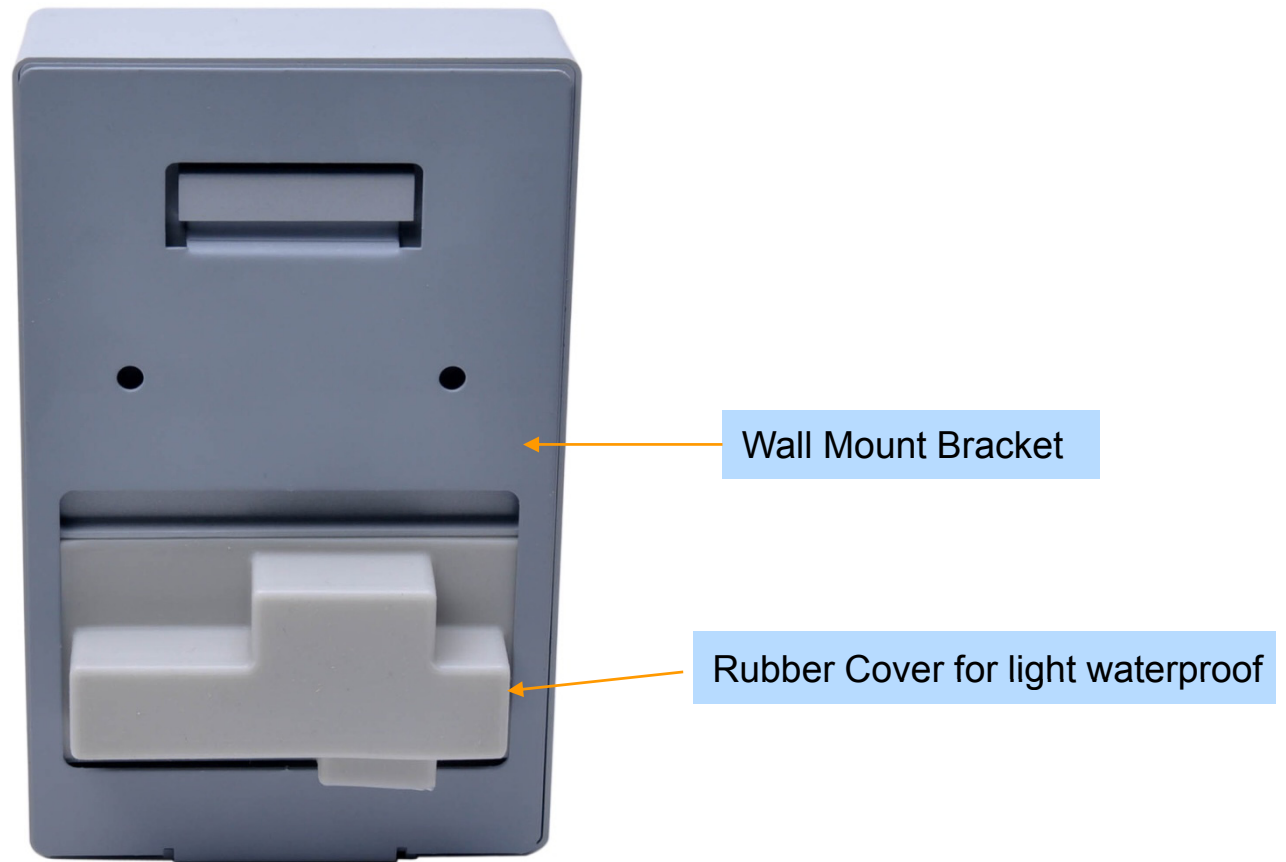
## Back Side




# Hardware Specification

AP-VAC50N One-Touch Call Button SIP Video Intercom

Back Side





AP-VAC20N  
One Touch Call Button  
SIP Video Intercom

# Main Features

## AP-VAC20N One-Touch Call Button SIP Video Intercom

- High Performance IP Video Intercom Solution
- Video Camera, One(1) Call Button, LCD, Internal MIC & Speaker
- H.323/SIP Concurrent VoIP Signaling Stack Embedded
- RF Card Interface
- High-performance Video/Voice Codec Support
  - H.264/MPEG4, G.711, etc
- One(1) 10/100Mbps Fast Ethernet
- PoE(Power over Ethernet) Support
- High Quality Speaker Phone Features
- Powerful Acoustic Echo Canceller
- Powerful Network Protocols (PPPoE, DHCP, Static Routing, etc)
- Firmware Upgradeable Architecture
- Advanced Voice QoS Mechanism

# Hardware Specification

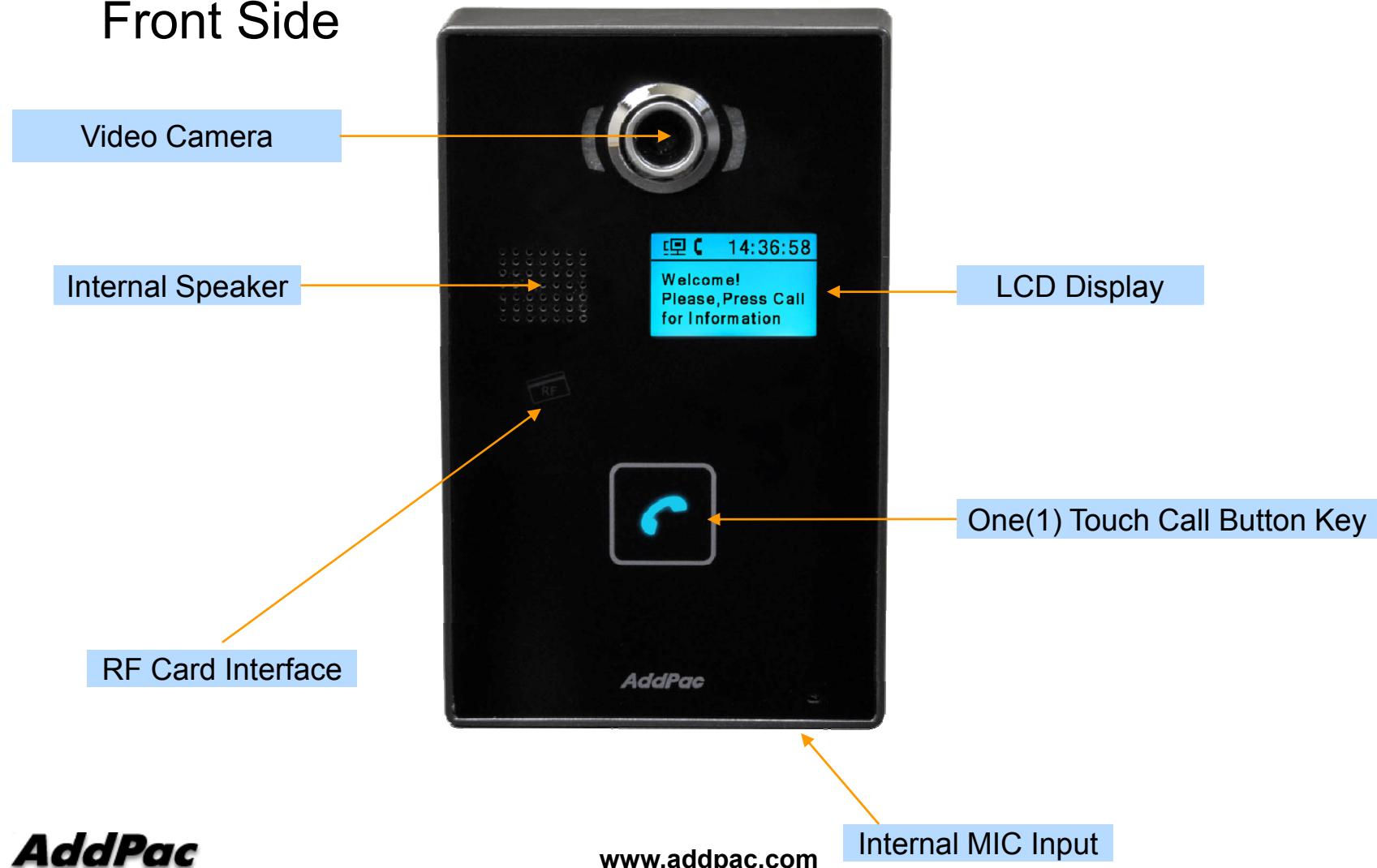
## AP-VAC20N One-Touch Call Button SIP Video Intercom

- RISC+DSP Microprocessor Computing Power (Dual Processor Architecture)
- Audio and Voice Interface
  - Internal MIC
  - Internal Speaker
- Video Camera Interface
- One(1) Touch Call Button
- RF Card Interface
- Graphic LCD Interface
- Network Interface
  - One(1) 10/100Mbps Fast Ethernet
- Alarm & Relay Out Interface (door open, etc)
- RS232/RS422/RS485 Interface
- Power Supply
  - Power over Ethernet (Option)
  - External Power Supply

# Hardware Specification

AP-VAC20N One-Touch Call Button SIP Video Intercom

## Front Side

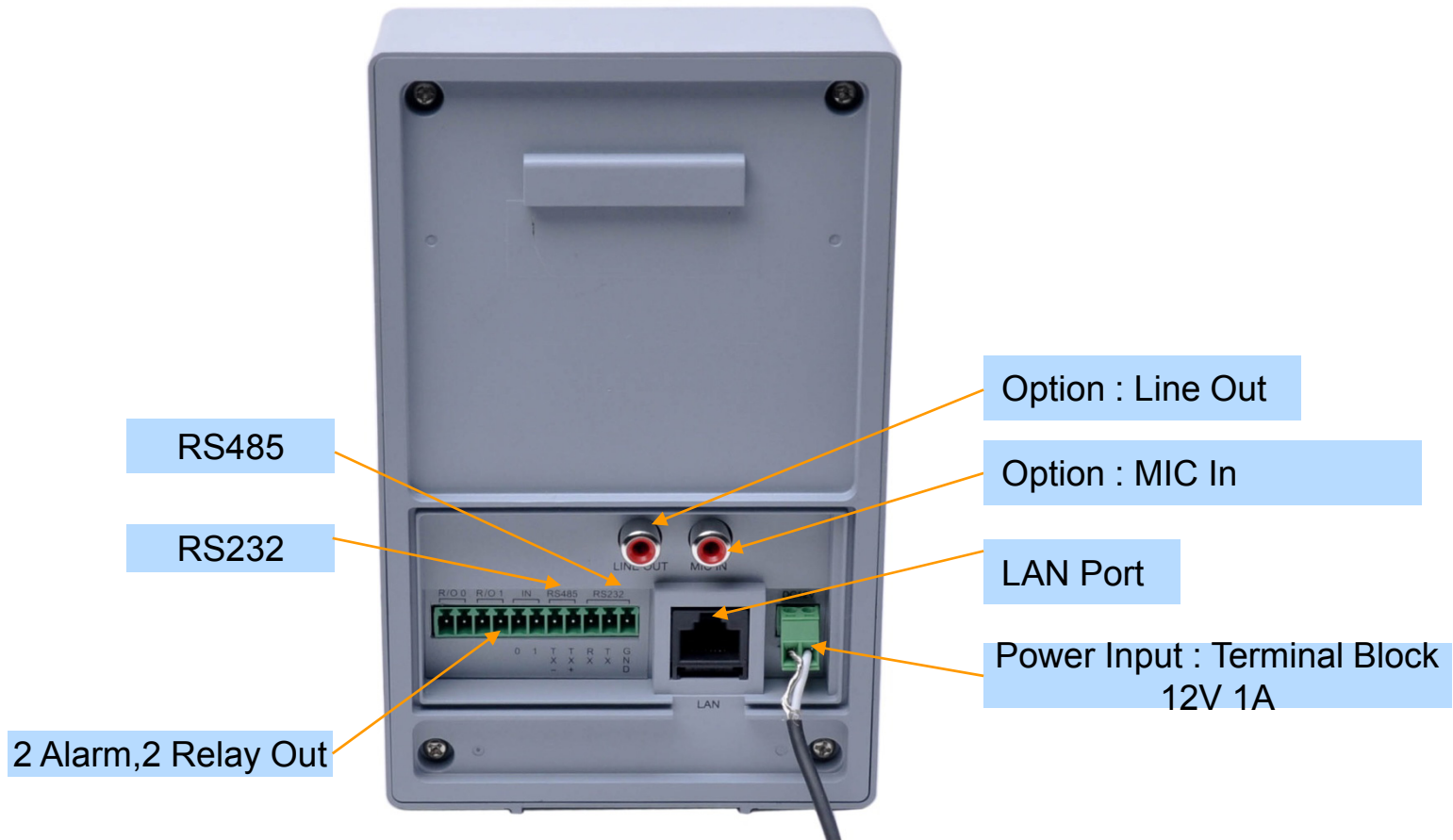




# Hardware Specification

AP-VAC20N One-Touch Call Button SIP Video Intercom

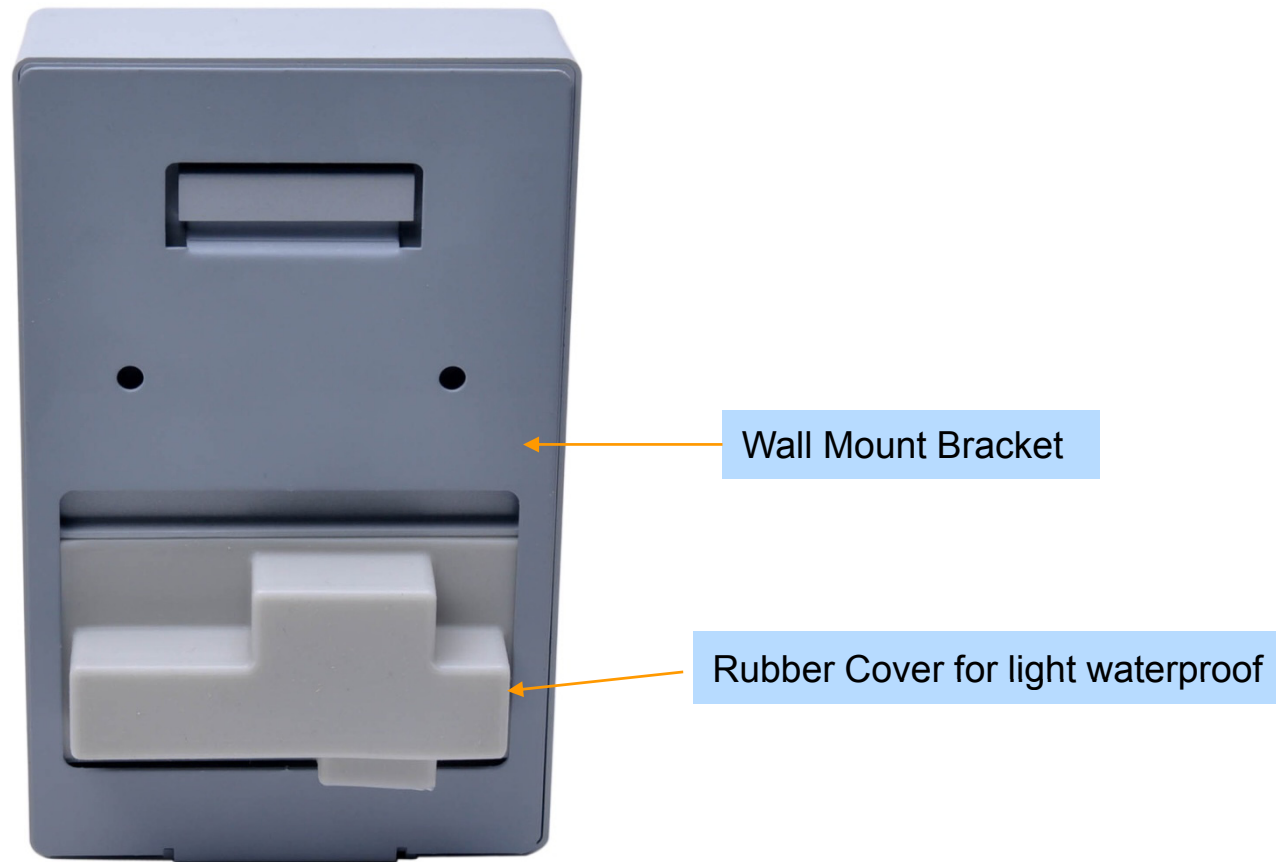
## Back Side



# Hardware Specification

AP-VAC20N One-Touch Call Button SIP Video Intercom

Back Side





# Thank you!

**AddPac Technology Co., Ltd.**  
Sales and Marketing

Phone +82.2.568.3848 (KOREA)

FAX +82.2.568.3847 (KOREA)

E-mail : [sales@addpac.com](mailto:sales@addpac.com)