



AP-GMB1500

256Ch GSM Multi-SIM Bank

for AP-GS3000 Clone Mode

High Performance Multi-SIM GSM Bank Solution



AddPac

AddPac Technology

Sales and Marketing

www.addpac.com

Contents

- Product Overview
- Hardware Specification
- SIM Bank Module Specification
- Dimension Comparison (AP-GS3000 & AP-GMB1500)
- APOS Technology
- Application Service
- Ordering Information



Product Overview

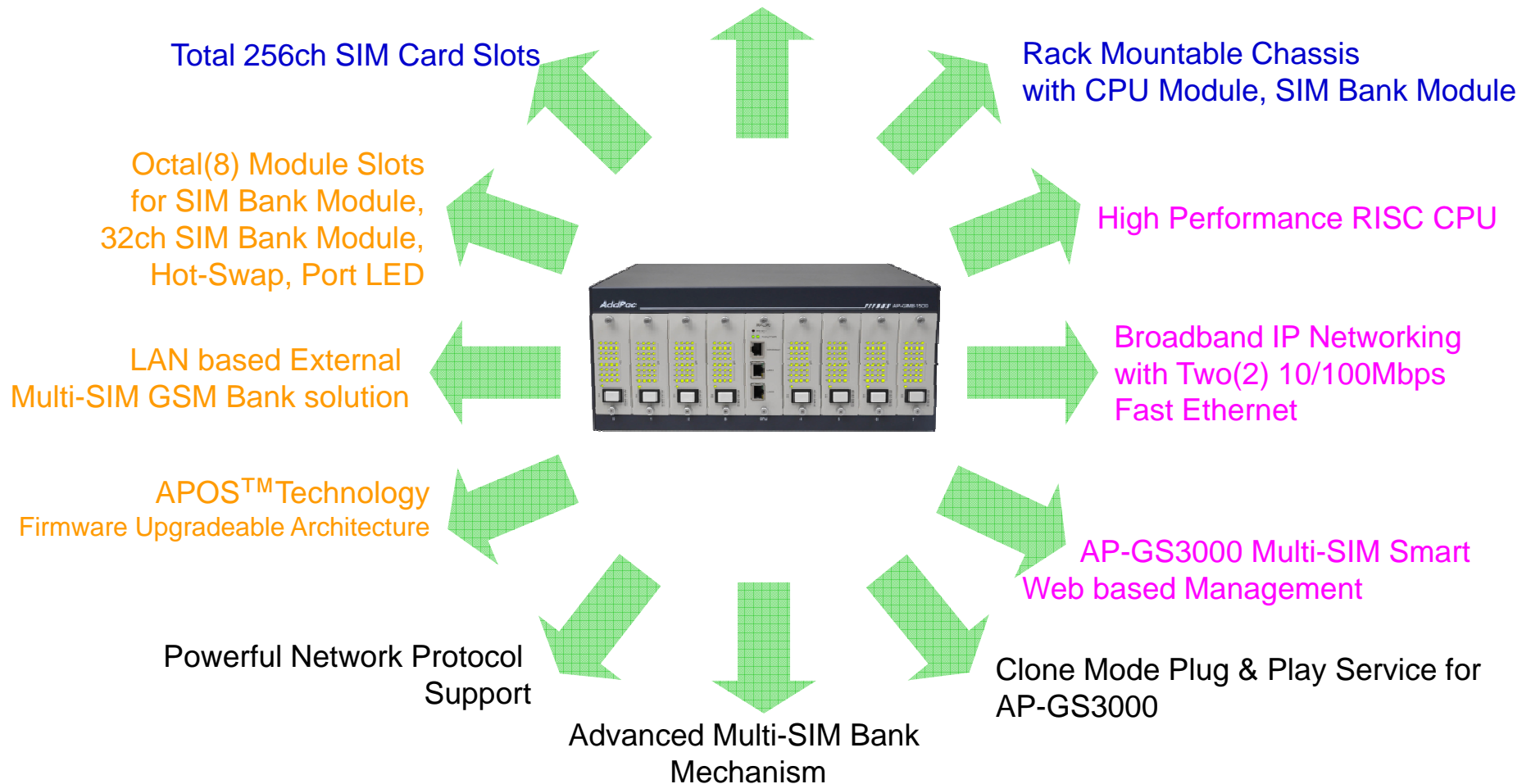
AP-GMB1500 GSM Multi-SIM Bank

- Octal(8) Module Slots for 32ch SIM Bank Module (Up to 32x8=256ch SIM Slot, CPU Module)
- High Performance RISC Microprocessor Architecture
- LAN based External Multi-SIM Bank for AP-GS3000 GSM Gateway
- Hot-Swap Service for SIM Bank Module
- Powerful Real-time Response Service using Embedded RTOS
- Powerful Network Protocols (PPPoE, DHCP, Static Routing, etc)
- Two(2)10/100Mbps Fast Ethernet
- One(1) RS-232C Port for Command Line Interface
- Firmware Upgradeable Architecture
- Plug & Play Service for AP-GS3000 GSM Gateway Clone Mode
- AP-GMB1500 Control via AP-GS3000 Multi-SIM Smart Web Manager
- High Density and Compact Size Design
- Internal Power Supply

Product Highlights

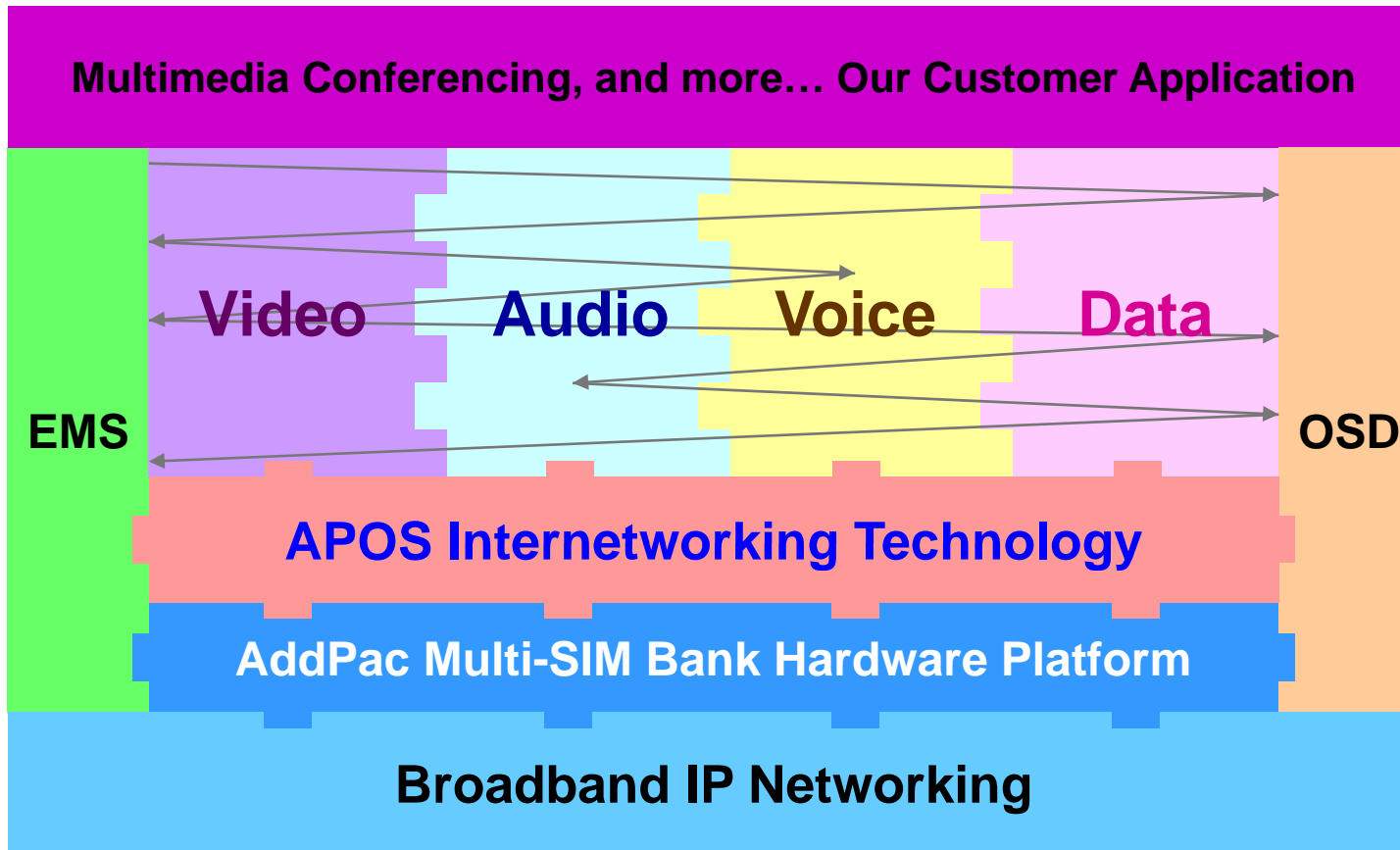
AP-GMB1500 GSM Multi-SIM Bank

Powerful Multi-SIM GSM Bank for AP-GS3000



APOS Technology

AP-GMB1500 GSM Multi-SIM Bank



- APOS : AddPac Internetworking Operating System
- OSD : On- Screen Display
- EMS : Element Management System

Hardware Specification

AP-GMB1500 GSM Multi-SIM Bank

RISC
CPU

- RISC Microprocessor Computing Power
- High Performance CPU Module
- Octal(8) SIM Bank Module Slots
- 32ch GSM SIM Slot Module(AP-N1-SIM32)
 - 32ch SIM Card Slot
 - SIM Slot Status Port LED
 - Hot-Swap Button
- Network Interface
 - Two(2) 10/100Mbps Fast Ethernet (RJ45)
- RS232C Console Interface for CLI
- Run LED, LAN LED, Port LEDs
- Module Type Power Supply

Hardware Specification

AP-GMB1500 GSM Multi-SIM Bank

RISC
CPU

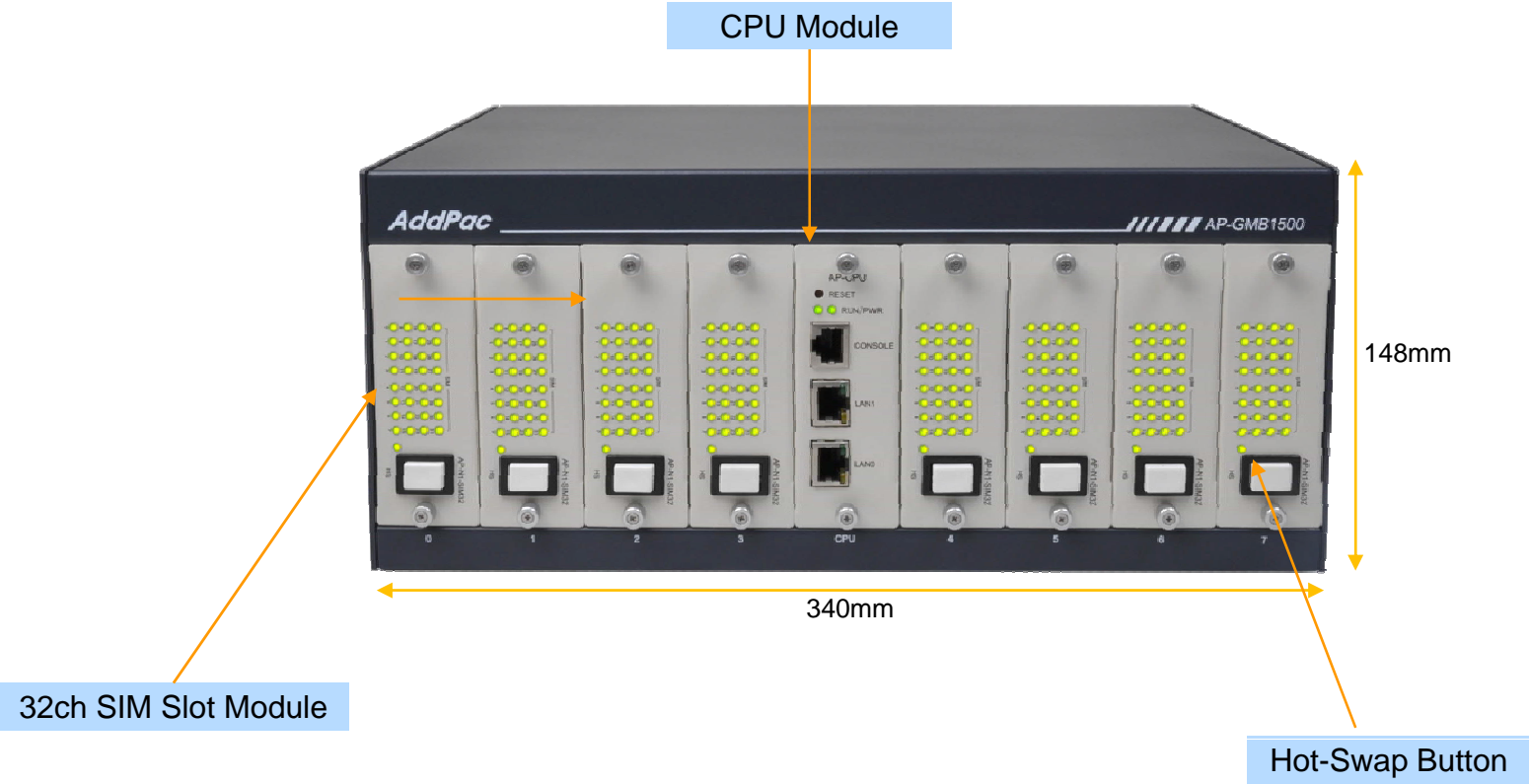
AP-GMB1500 GSM SIM Server	Basic Specifications
Voice Interface	Octal(8) Module Slots excluding CPU Module
	AP-N1-SIM32 : 32channel GSM SIM Slot Module, Hot-Swap, Port Status LED
Ethernet Interface	2-Ports 10/100Mbps Fast Ethernet Interface(RJ-45)
Flash Memory	512Mbyte NAND Flash Memory
Base Memory	128Mbyte High-speed DDR2
Power Requirement	Power Supply / VAC 110~220V, 50/60Hz, 5V 8A, Power Supply
Operating Temperature	0°C ~ 45°C (32 °F ~ 122°F)
Storage Temperature	-40°C ~ 85°C (-40°C ~ 185°F)
Relative Humidity	5% ~ 95% (Non-condensing)
Dimensions	H x W x D (148mm x 340mm x 255mm)
Weight(kg)	5.2kg

Hardware Specification

AP-GMB1500 GSM Multi-SIM Bank



Front Side View



Hardware Specification

AP-GMB1500 GSM Multi-SIM Bank

RISC
CPU

Back Side View



Cooling FAN

Power Inlet (110~220V)

Power Switch

SIM Bank Module Specification

AP-GMB1500 GSM Multi-SIM Bank

SIM Bank Module

AP-N1-SIM32 32ch GSM SIM Slot Module



SIM Status LED :
Dual Color LED

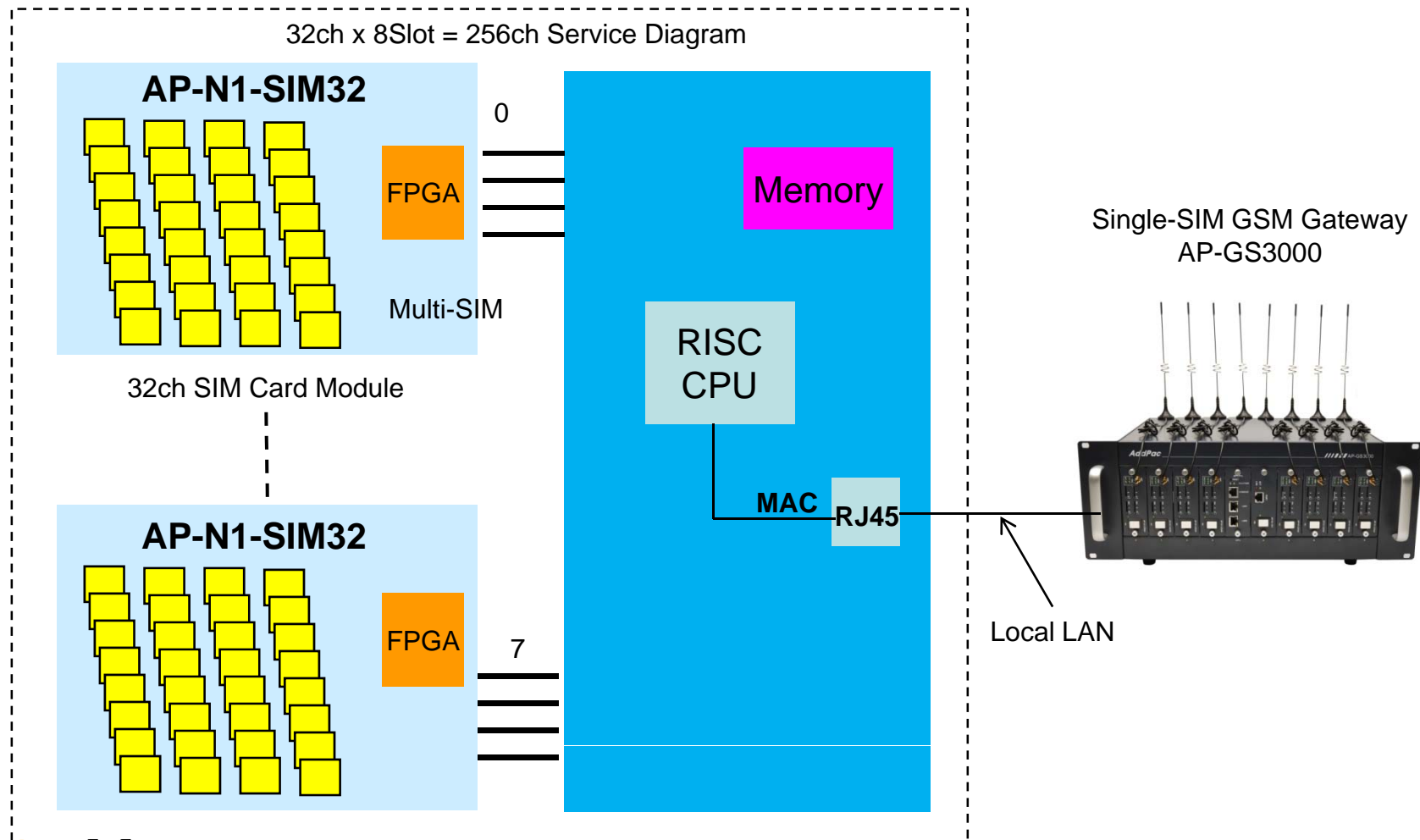
Hot-Swap Button

SIM Bank Module Specification

AP-GMB1500 GSM Multi-SIM Bank

RISC
CPU

LAN based External GSM Multi-SIM Bank Service Diagram



AddPac

www.addpac.com

Dimension Comparison

AP-GMB1500 GSM Multi-SIM Bank

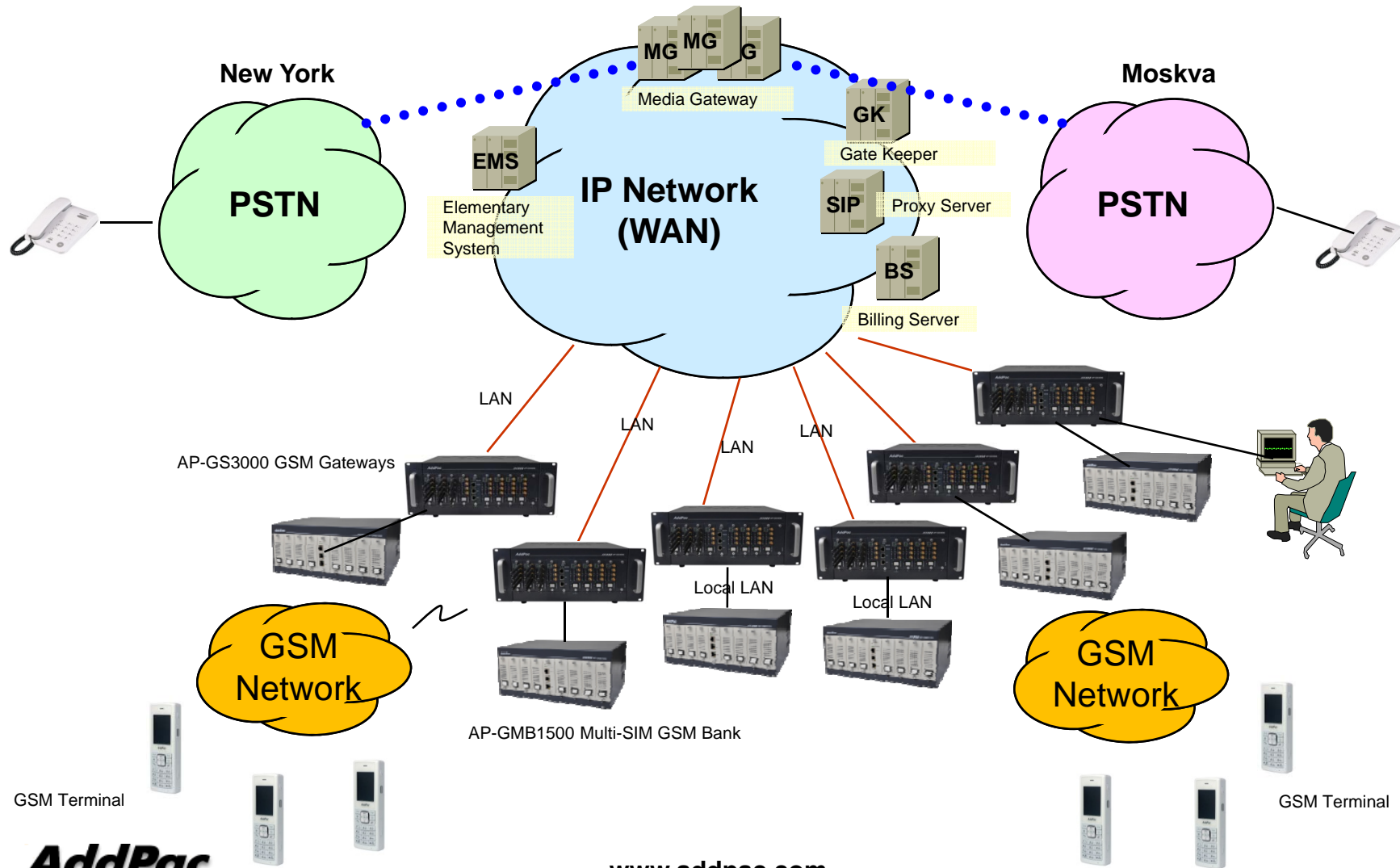
AP-GMB1500
Multi-SIM GSM Bank



AP-GS3000
GSM Gateway

Standard Application

AP-GMB1500 GSM Multi-SIM Bank



Ordering Information

- AP-GMB1500 GSM Multi-SIM Bank Hardware
 - AP-GMB1500 GSM Multi-SIM Bank Main Body
 - Octal(8) Module Slots excluding CPU Module
 - High-end Programmable RISC Microprocessor
 - 2-port 10/100Mbps Fast Ethernet(RJ45)
 - 1-Port RS232C Console Interface(RJ45)
 - Option Module : AP-N1-SIM32 GSM SIM Bank Module
 - Including Network Cable, Antenna, etc.
- Built-in APOS Internetworking Software for AP-GMB1500
- Including 1 Year Hardware Warranty
- Product Documents
 - Install and Operation Guide (PDF)
- Pricing
 - AddPac Technology Regional Sales Manager
 - Authorized Sales and Marketing Representatives
 - Please Contact www.addpac.com



Thank you!

AddPac Technology Co., Ltd.
Sales and Marketing

Phone +82.2.568.3848 (KOREA)

FAX +82.2.568.3847 (KOREA)

E-mail sales@addpac.com