

Emergency Call IP Video Phone

MAC OS 3'rd Party Softphone Interworking
with AddPac Emergency Call IP Video
Phone



AddPac

AddPac Technology

Sales and Marketing

www.addpac.com

Contents

- MAC OS 3'rd Party SoftPhones
- Emergency Call IP Video Phone Interworking Service Diagram
- SIP Register
 - MAC OS Softphone Register to AP-ACS1000
- SIP Video Call Flow

MAC OS 3'rd Party Soft Phone Interworking

NCH Software (Express Talk VoIP Softphone)

- Audio : G.711ulaw, G.711alaw, G.726-32
- Video : H.263 (QCIF, CIF)



<http://www.nch.com.au/talk/>

Linphone for Mac OS X

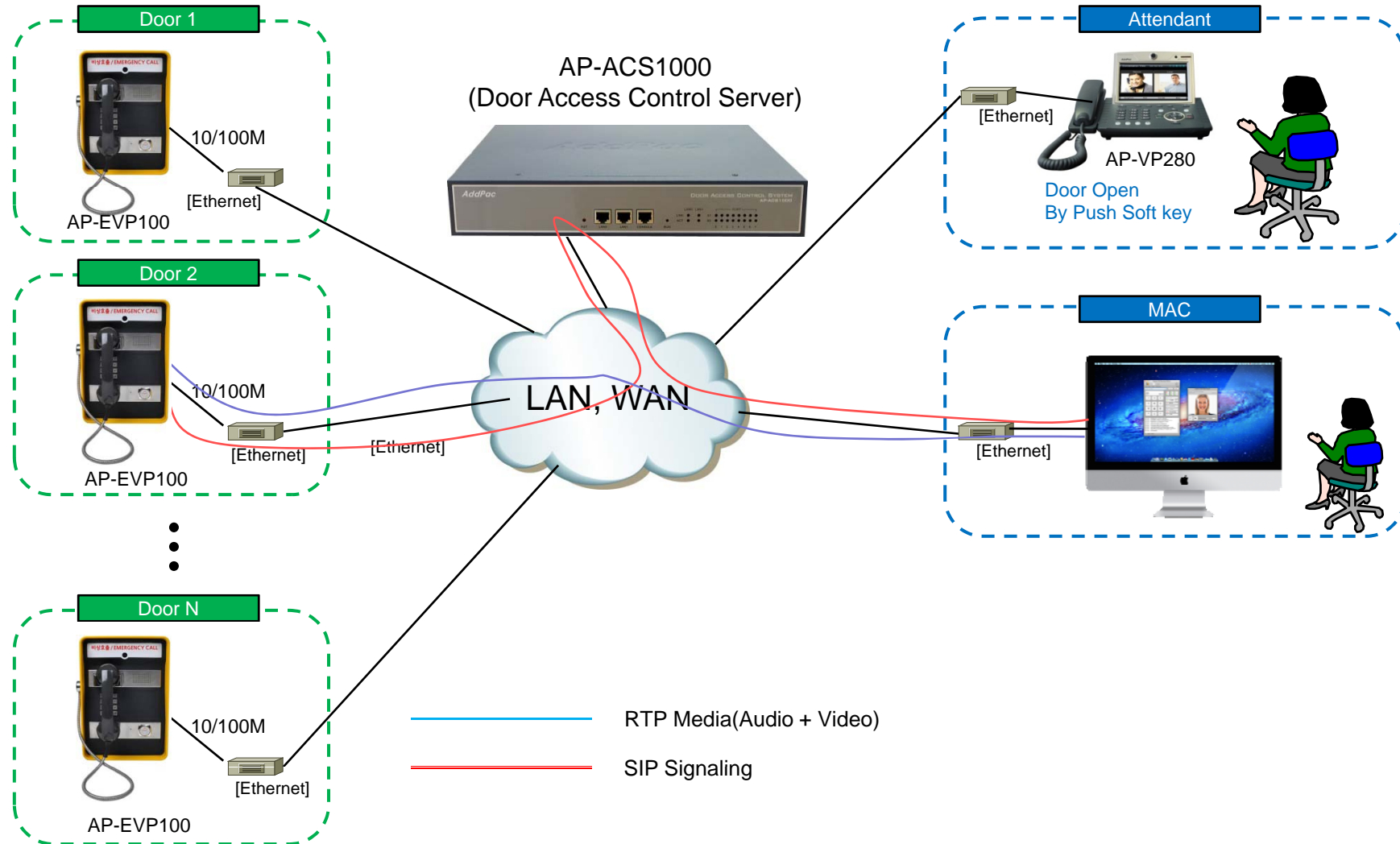
- Audio: PCM
- Video: H.264

<http://www.linphone.org/downloads-for-desktop.html>

MAC OS 3'rd Party Soft Phone Interworking

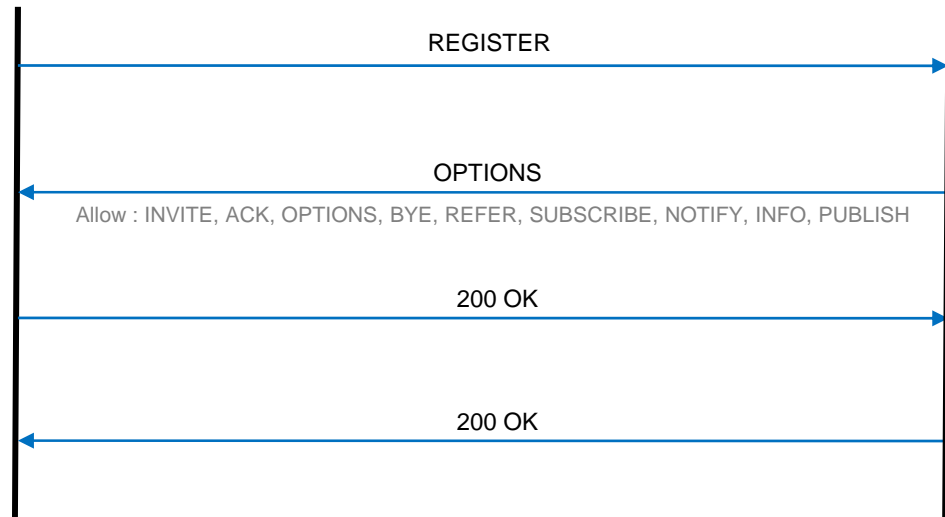
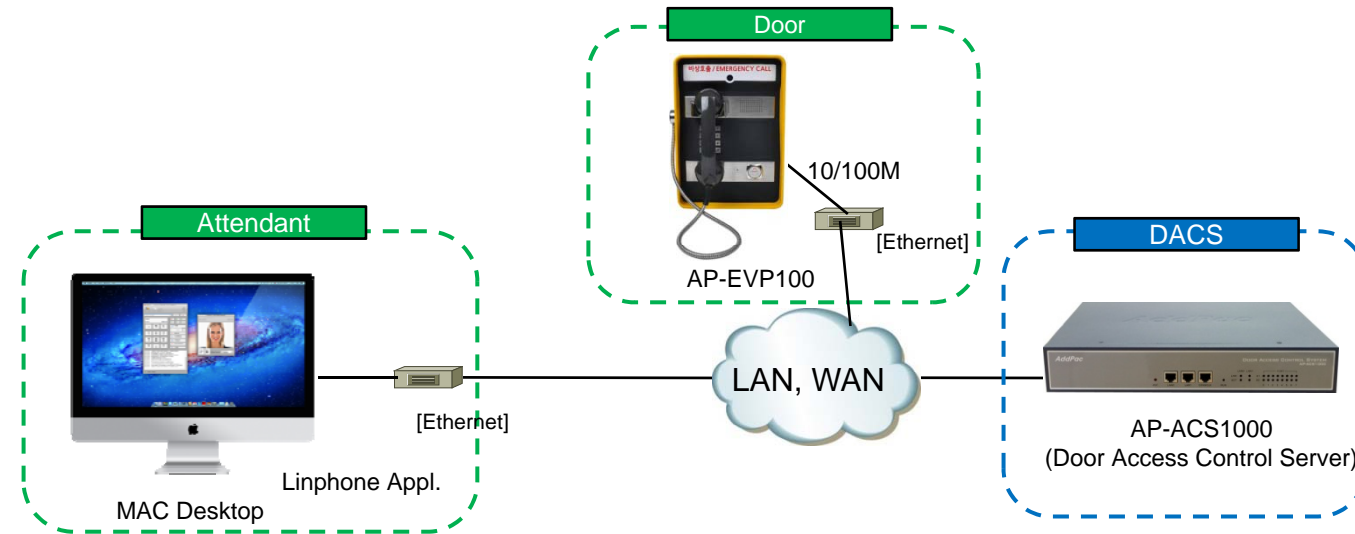
	NCH Software (Express Talk VoIP Softphone)	Linphone for Mac OS X
		
Audio	G.711ulaw, G.711alaw, G.726-32	PCM
Video	H.263 (QCIF, CIF)	H.264
Web Site	http://www.nch.com.au/talk/	http://www.linphone.org/downloads-for-desktop.html
Interworking Test	OK	OK

AP-EVP100 Video Service Diagram



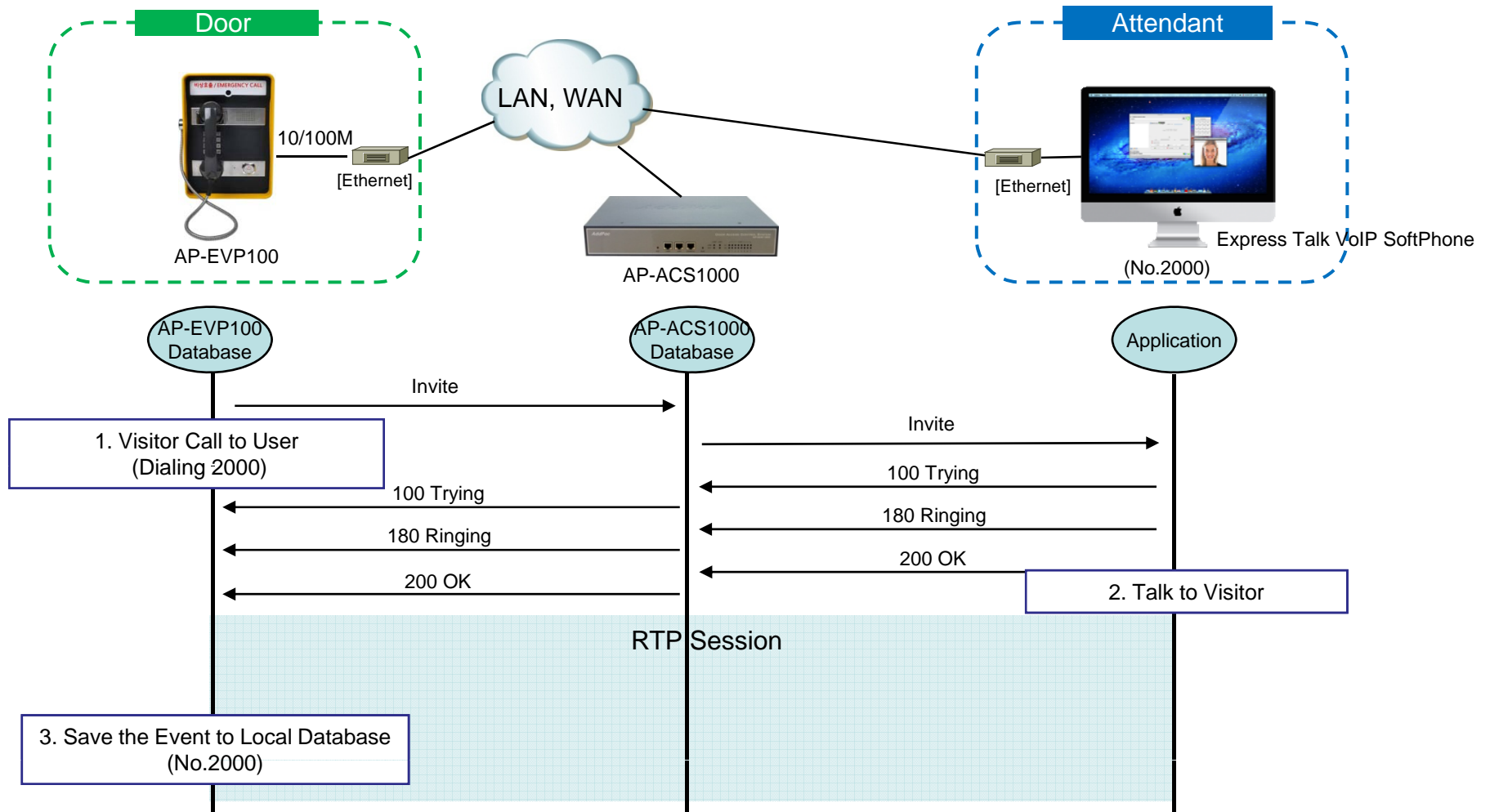
SIP Register

Linphone Application Register to AP-ACS1000



SIP Video Call Flow

Door Open Flow





Thank you!

AddPac Technology Co., Ltd.
Sales and Marketing

Phone +82.2.568.3848 (KOREA)

FAX +82.2.568.3847 (KOREA)

E-mail sales@addpac.com