

SOHO 3G Gateway Series

3G Data Service Overview



AddPac

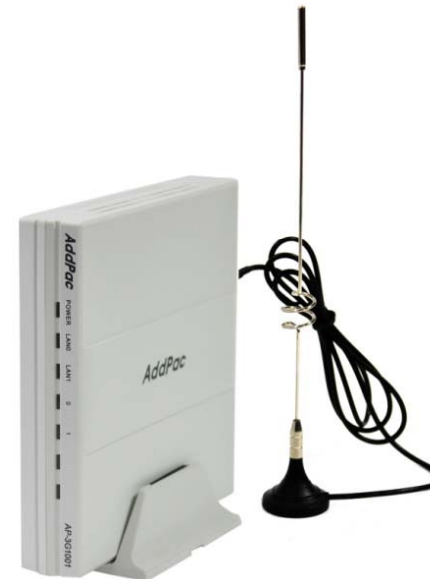
AddPac Technology

2013, Sales and Marketing

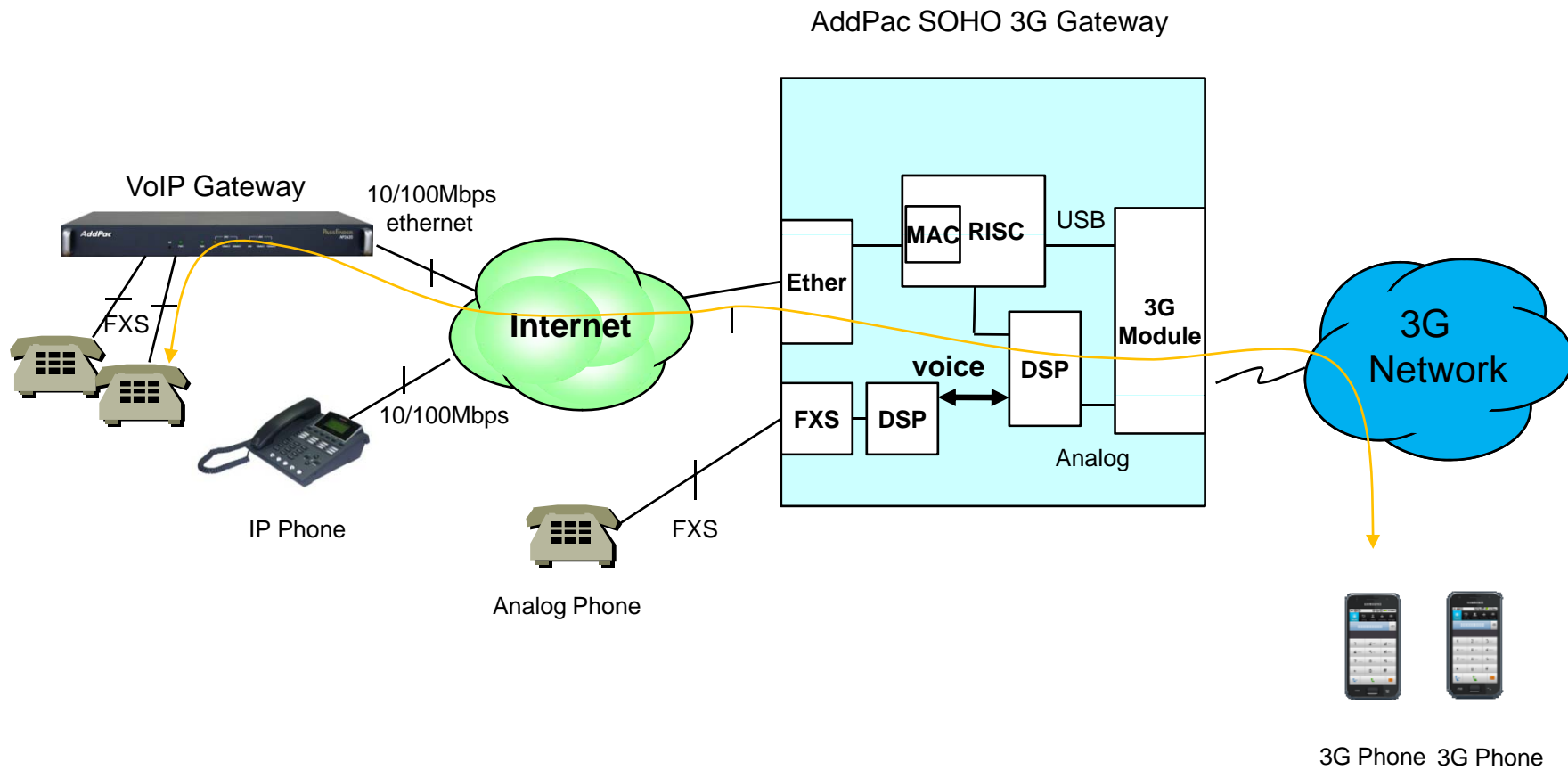
www.addpac.com

Contents

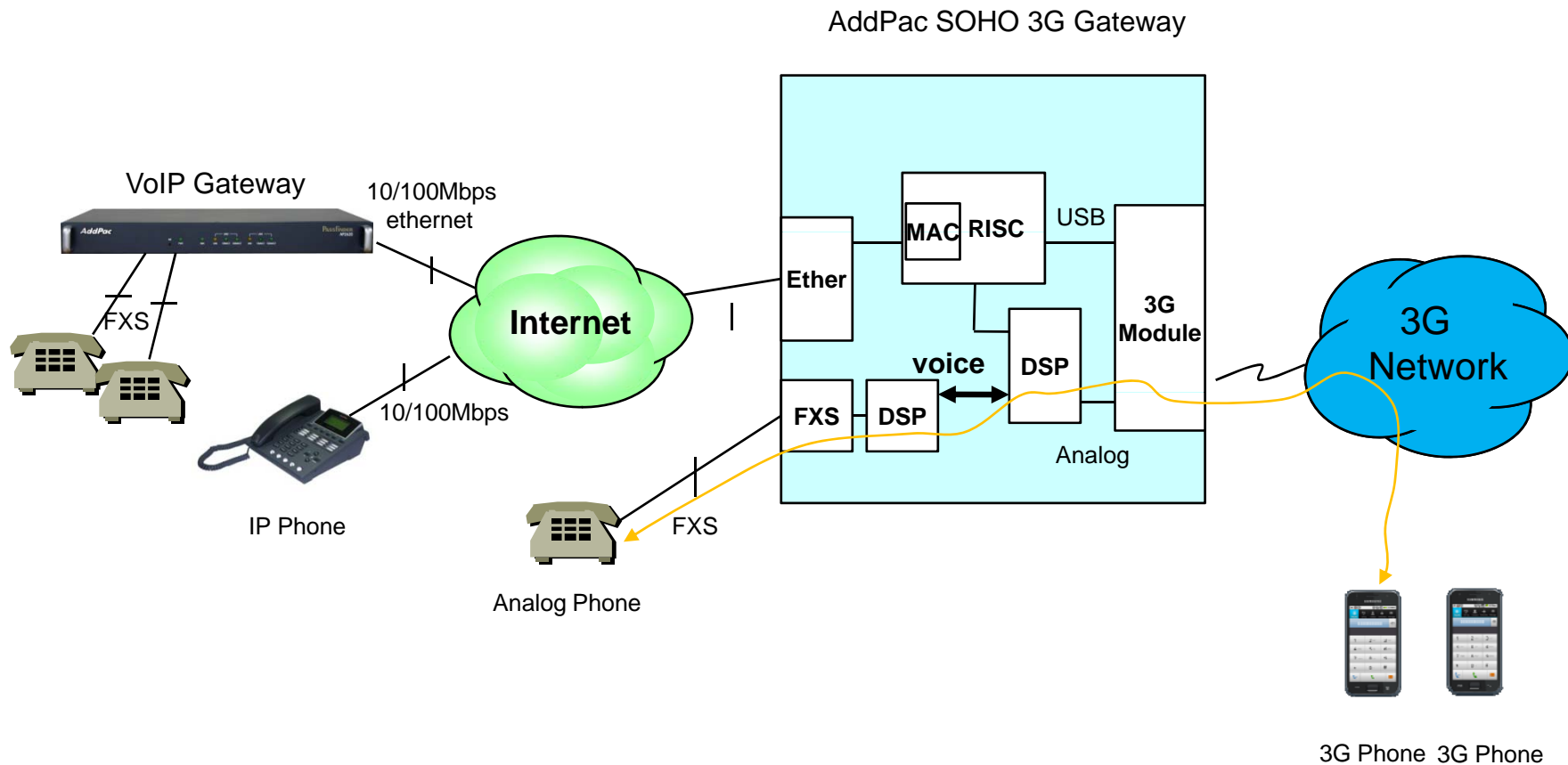
- Network Diagram
 - VoIP to 3G Voice (Voice Service)
 - Analog to 3G Voice (Voice Service)
 - LAN to 3G Internet (Data Service)
- 3G Data Service Features



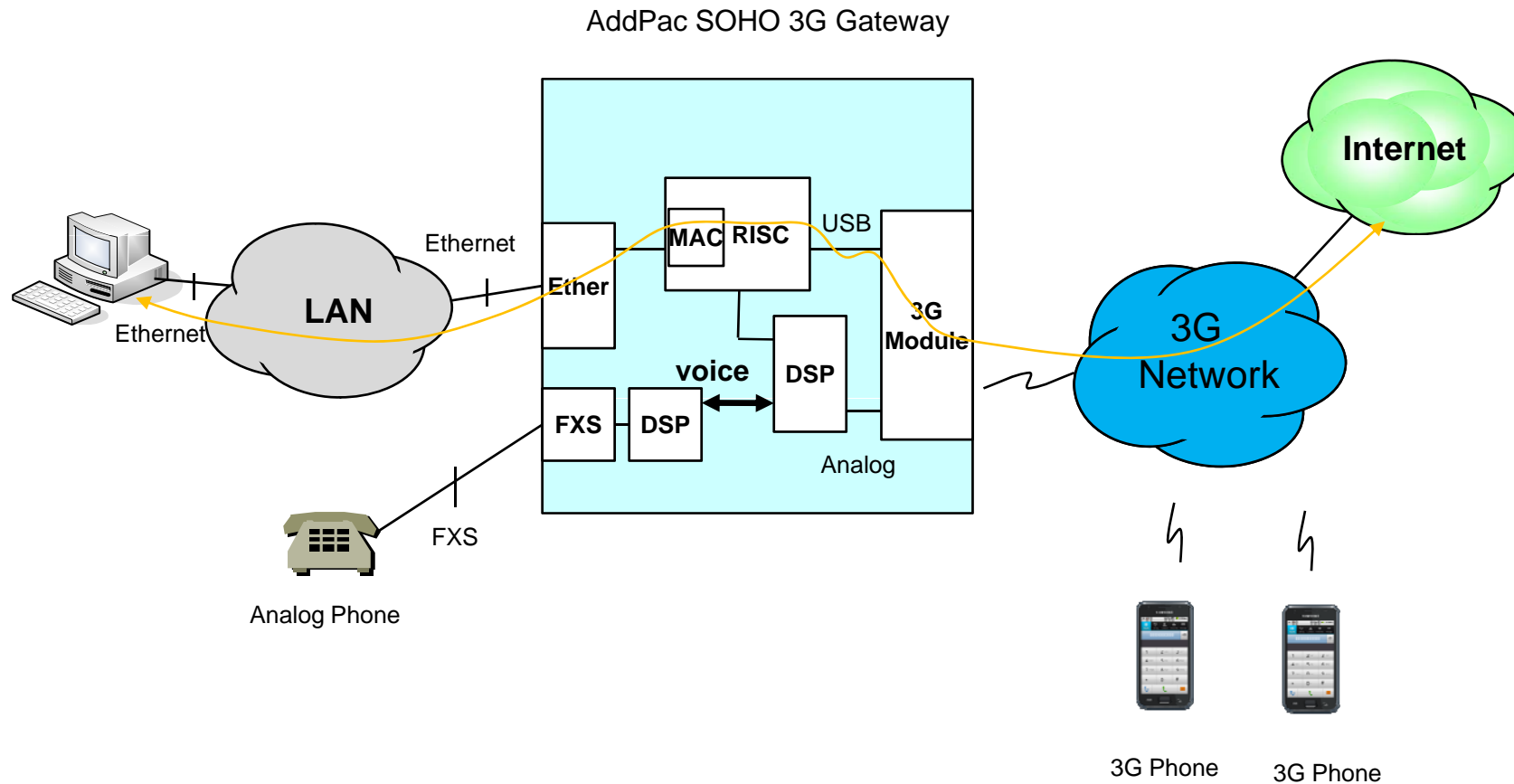
Network Diagram (VoIP to 3G Voice)



Network Diagram (Analog to 3G Voice)



Network Diagram (LAN to 3G Internet)



3G Data Service Feature

- SOHO 3G Gateway Data Service Features
 - USB CDC ACM driver
 - USB TTY driver
 - 3G module control
 - USB module + rs232c module control
 - 3G basic function
 - 3G data interface
 - Mobile interface
 - PPP interface
 - Network provider APN(Access Point Name) management
 - Performance test (SK telecom, Korea No.1 Service Provider)
 - Uplink : 1.9 ~ 2.1 Mbps
 - Downlink : 2.5 ~ 4.5 Mbps

SOHO 3G Gateway Series

Thank you!

AddPac Technology Co., Ltd.
Sales and Marketing

Phone +82.2.568.3848 (KOREA)

FAX +82.2.568.3847 (KOREA)

E-mail sales@addpac.com