



AP-GS804™

4-Port GSM Gateway

High Performance GSM Gateway Solution

H/W Design Concept



AddPac

AddPac Technology

2012, Sales and Marketing

Contents

- Product Overview
- Hardware Specification
- AP-GS804 Model A
 - Back Side View
 - Internal Hardware Block Diagram
 - Network Service Diagram
- AP-GS804 Model B
 - Back Side View
 - Internal Hardware Block Diagram
 - Network Service Diagram
- AP-GS804 Model C
 - Back Side View
 - Internal Hardware Block Diagram
 - Network Service Diagram



Product Overview

- 4-Port GSM Interface (Antenna, Slots for SIM card)
- PSTN Interface/VoIP Interface(LAN) Both Support
- FXS, FXO Analog Interface Support
- H.323/SIP/MGCP Triple Concurrent Stack Embedded
- High Performance RISC & Programmable DSP Architecture
- One(1) 10/100Mbps Fast Ethernet
- G.711/G.726/G.723/G.729, T.38 Fax , VAD, etc
- Powerful Network Protocols (PPPoE, DHCP, Static Routing, etc)
- Firmware Upgradeable Architecture
- VPMS (VoIP Plug&Play Management System) for Large Scale Deployment
- Advanced Voice QoS Mechanism
- Light and Compact Design with External Power Supply

Hardware Specification

RISC
CPU

High-end
DSP

- AP-GS804 Embedded Platform
- Voice Interface
 - No Analog Interface (Model A)
 - FXS 4ch Model (Model B)
 - FXO 4ch Model (Model C)
- RISC Microprocessor Computing Power
- Audio Codec
 - G.711, G.726, G.729, G.723.1
- Main Chassis
 - One(1) RS-232C Console (RJ45) for CLI
 - 4-Port SIM Card Slots
 - 4-Port GSM Antenna Interface
 - One(1) Fast Ethernet Port
 - External Power Adaptor

Hardware Specification

RISC
CPU

High-end
DSP



AddPac

www.addpac.com



AP-GS804 Model A

Back Side View

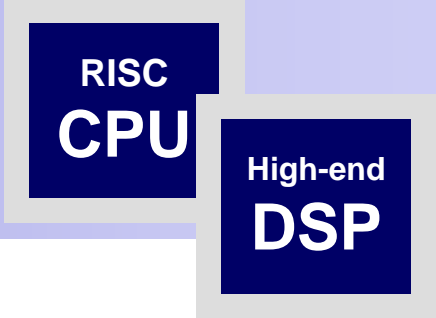
RISC
CPU

High-end
DSP

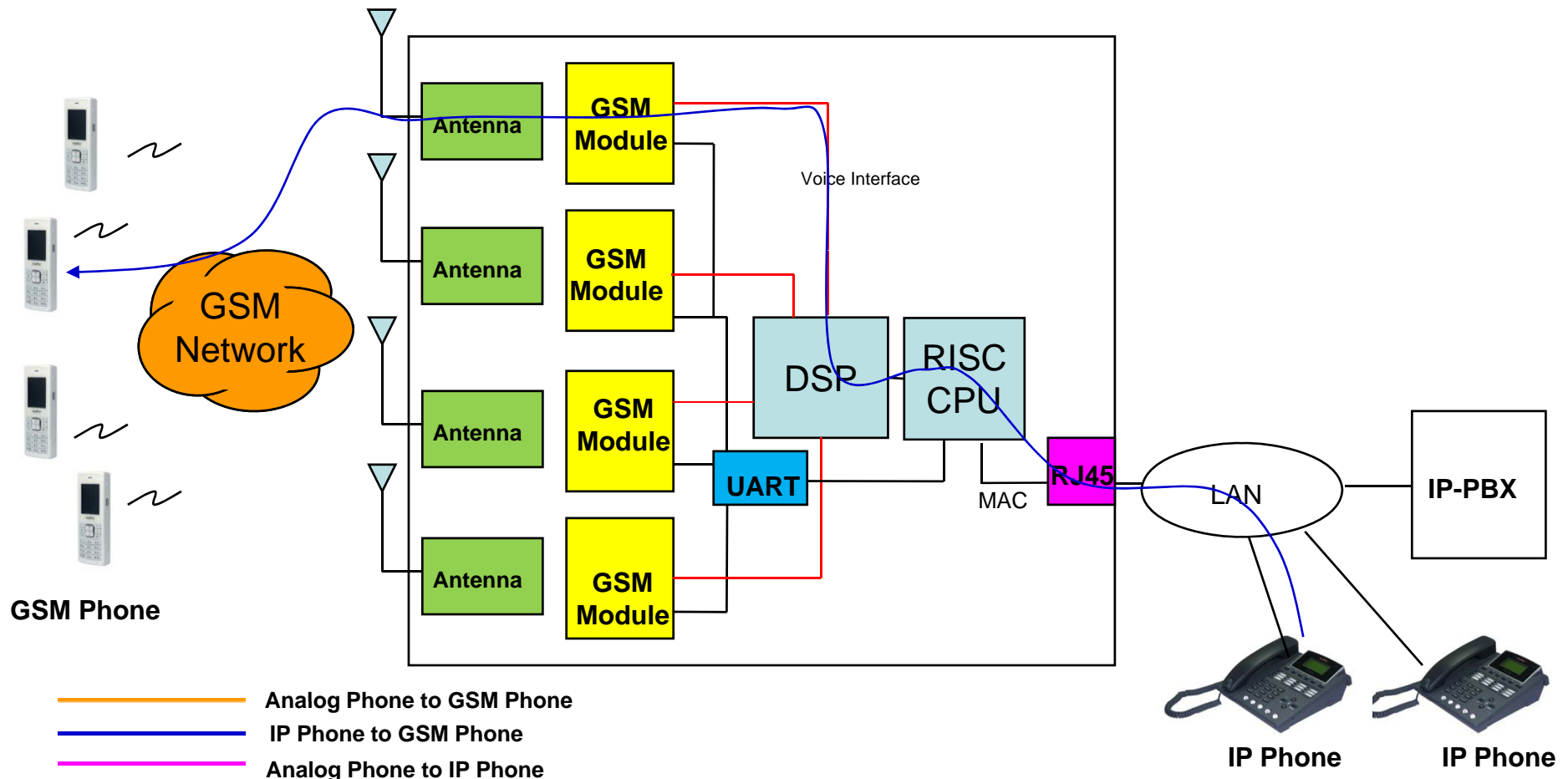
AP-GS804 Model A



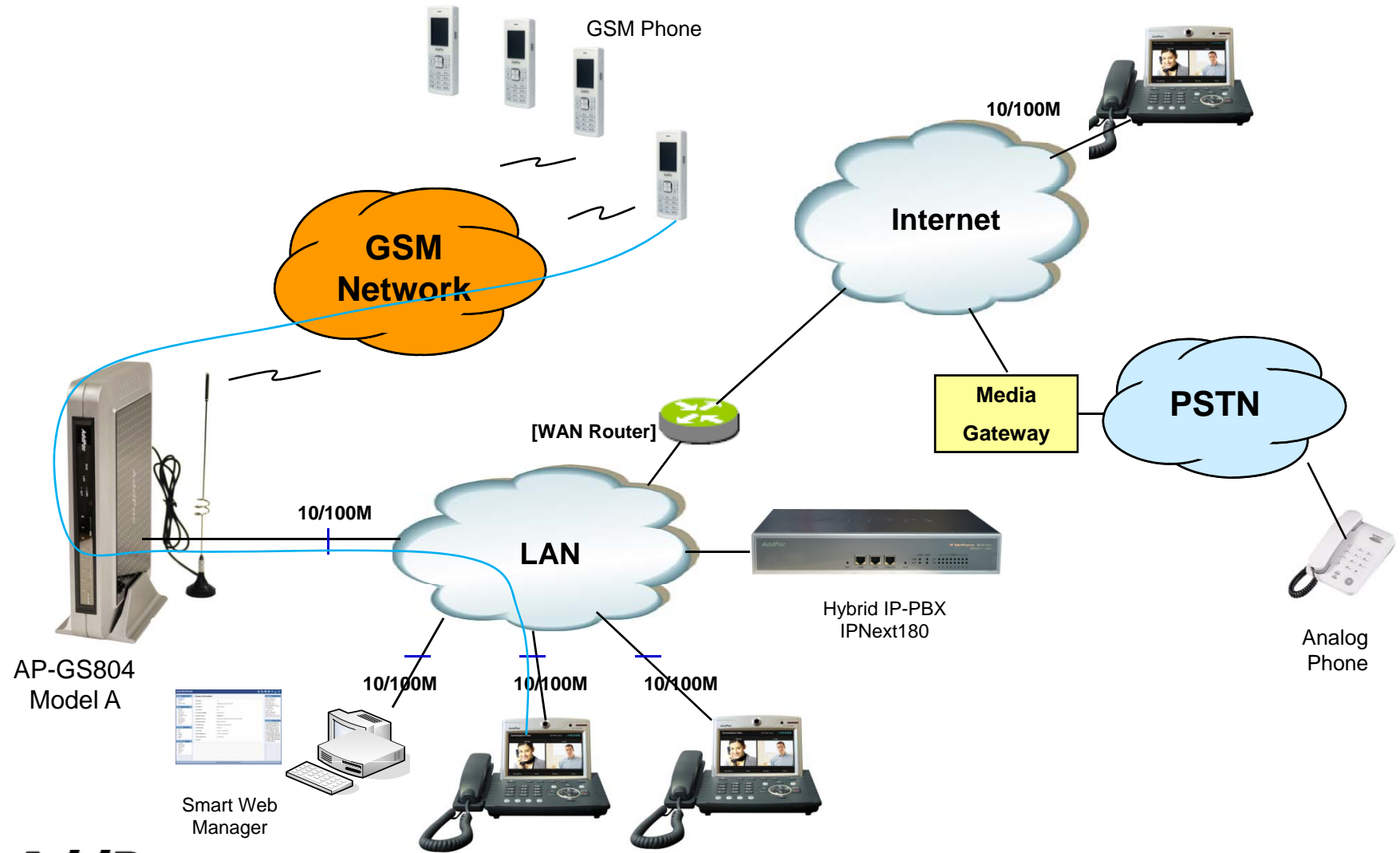
Internal H/W Block Diagram



Model A Internal H/W Block Diagram



Network Service Diagram





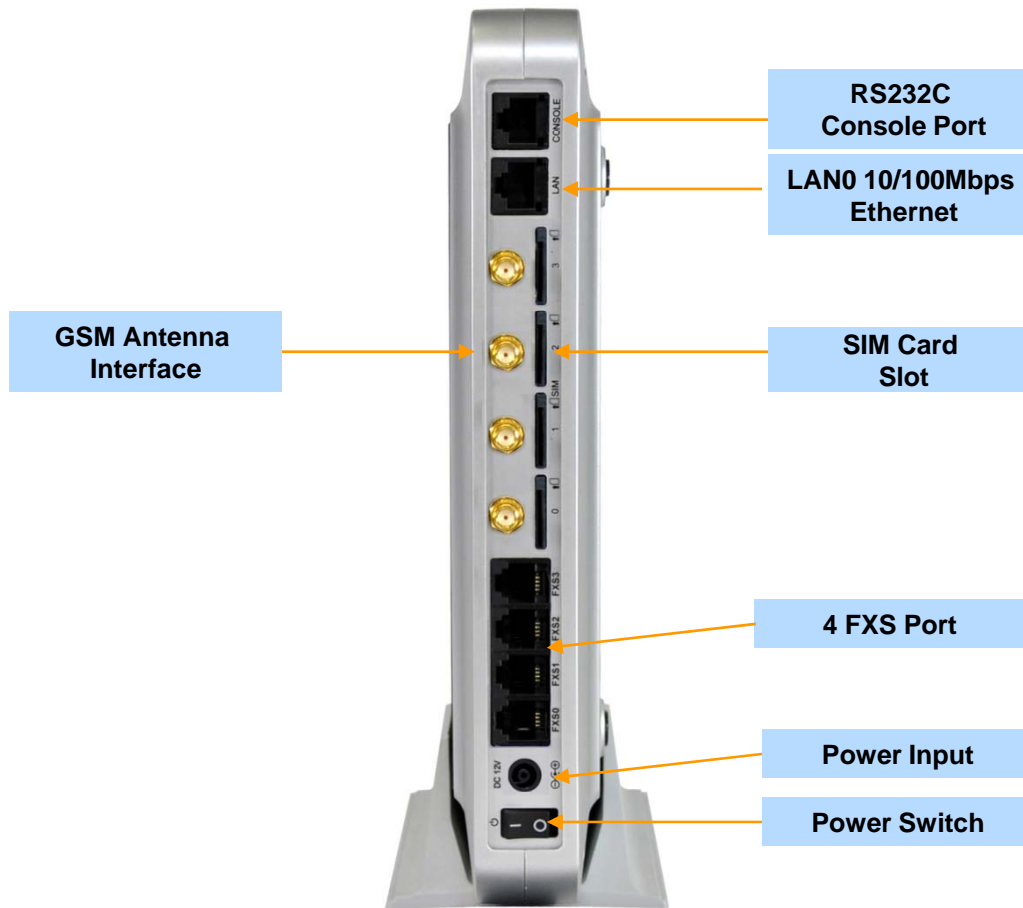
AP-GS804 Model B

Back Side View

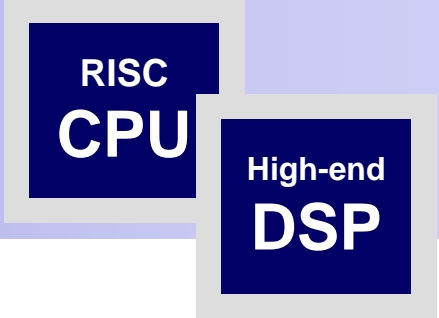
RISC
CPU

High-end
DSP

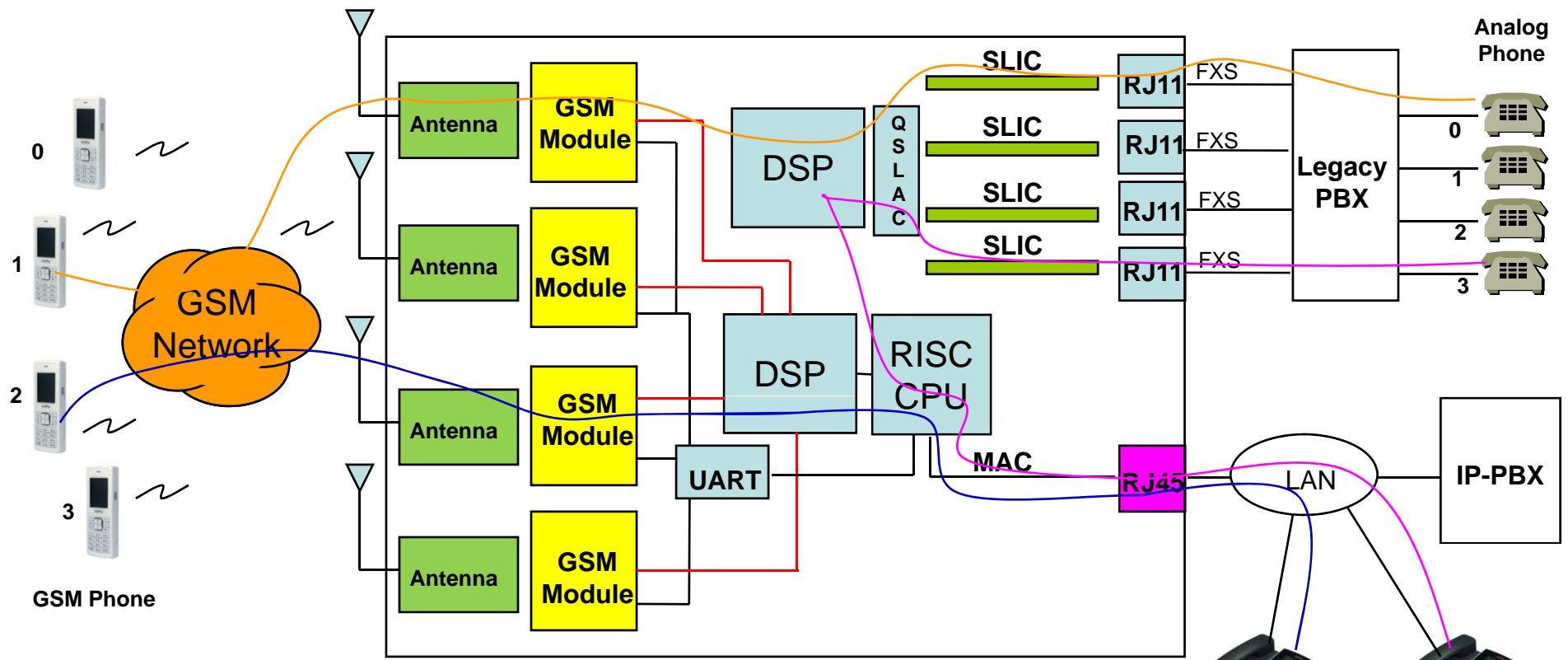
AP-GS1004 Model B



Internal Hardware Block Diagram

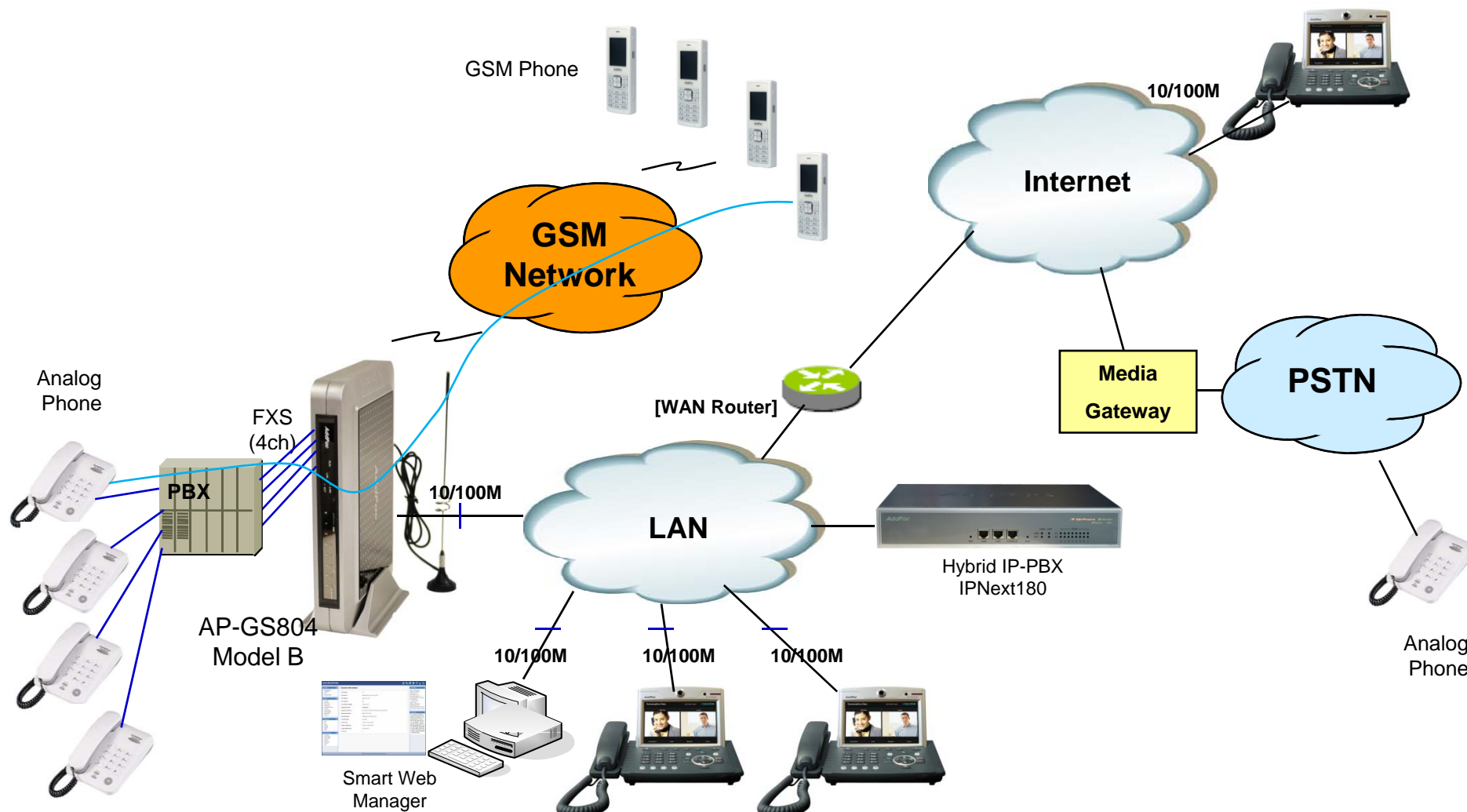


Model B Internal H/W Block Diagram



- Analog Phone to GSM Phone (Analog Phone 0 → GSM Phone 0)
- IP Phone to GSM Phone (IP Phone 0 → GSM Phone 2)
- Analog Phone to IP Phone (Analog Phone 3 → IP Phone 1)

Network Service Diagram



AddPac

www.addpac.com



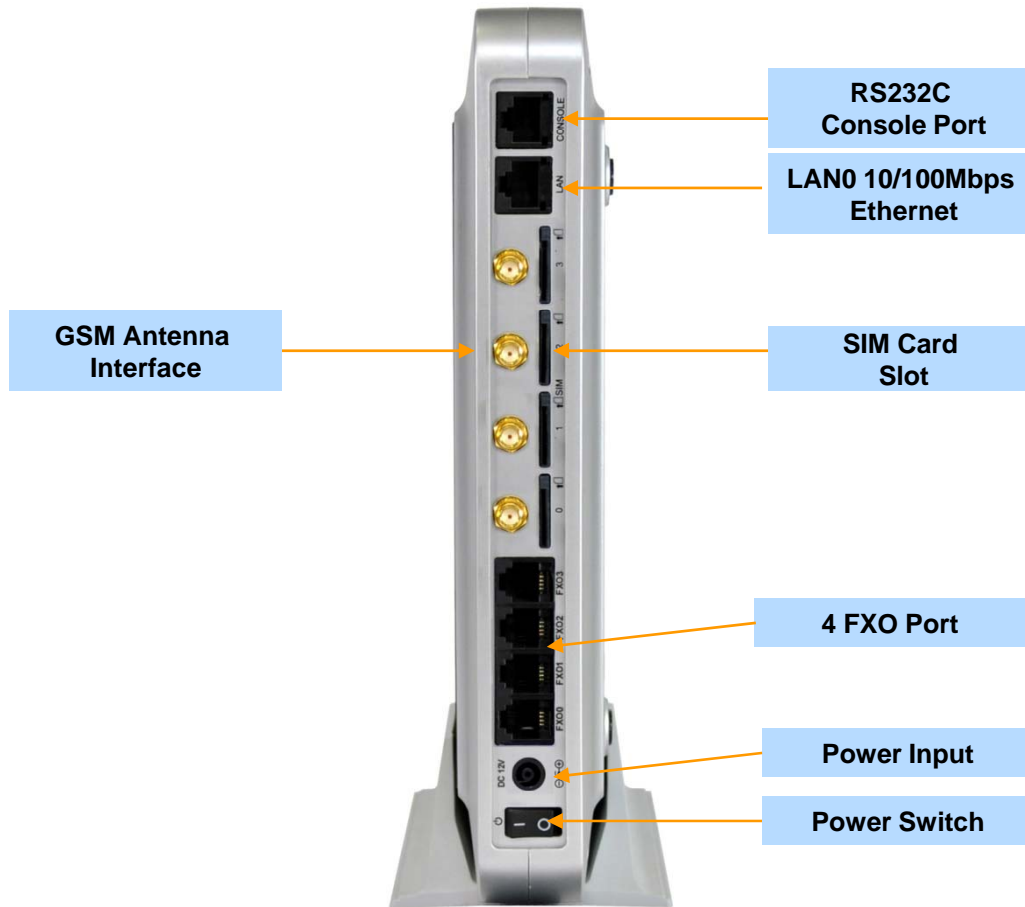
AP-GS804 Model C

Back Side View

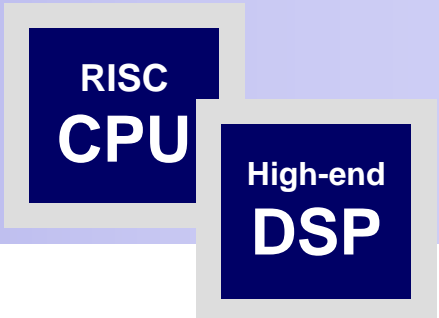
RISC
CPU

High-end
DSP

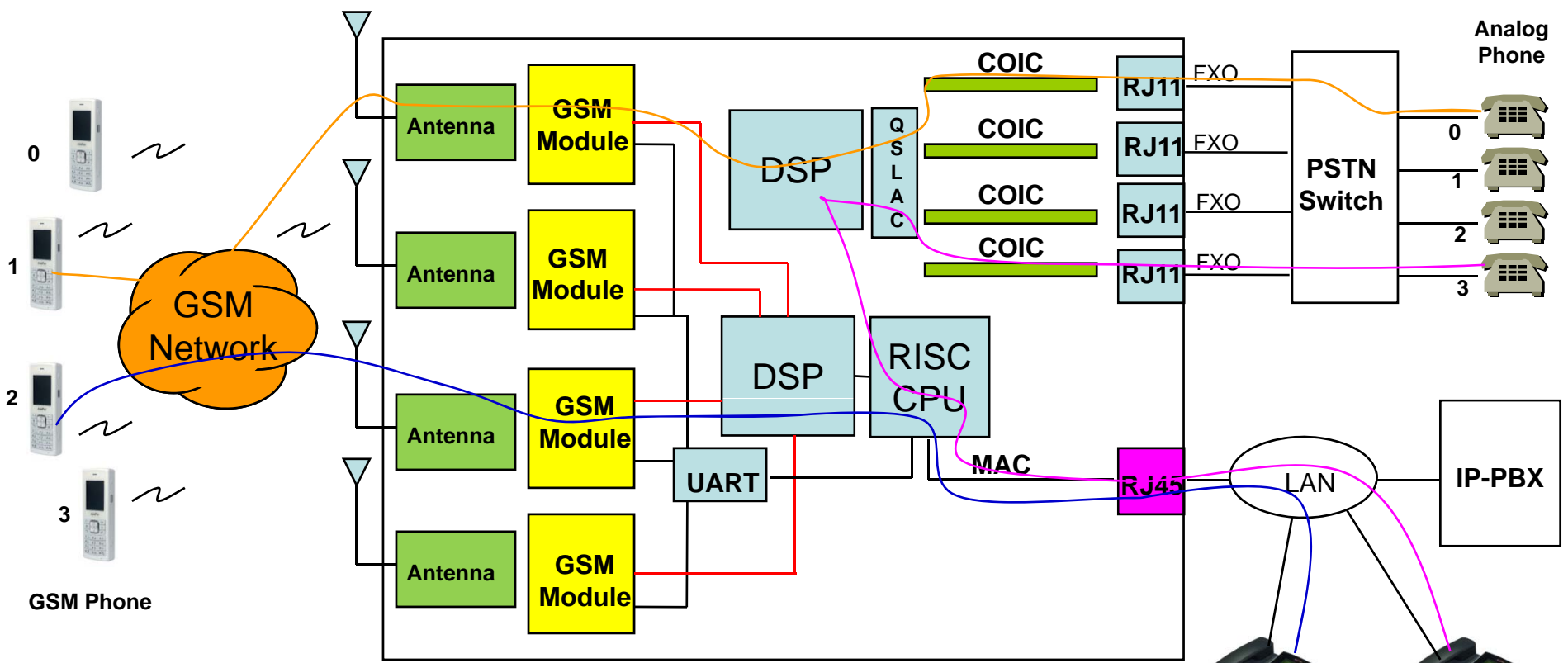
AP-GS804 Model C



Internal Hardware Block Diagram

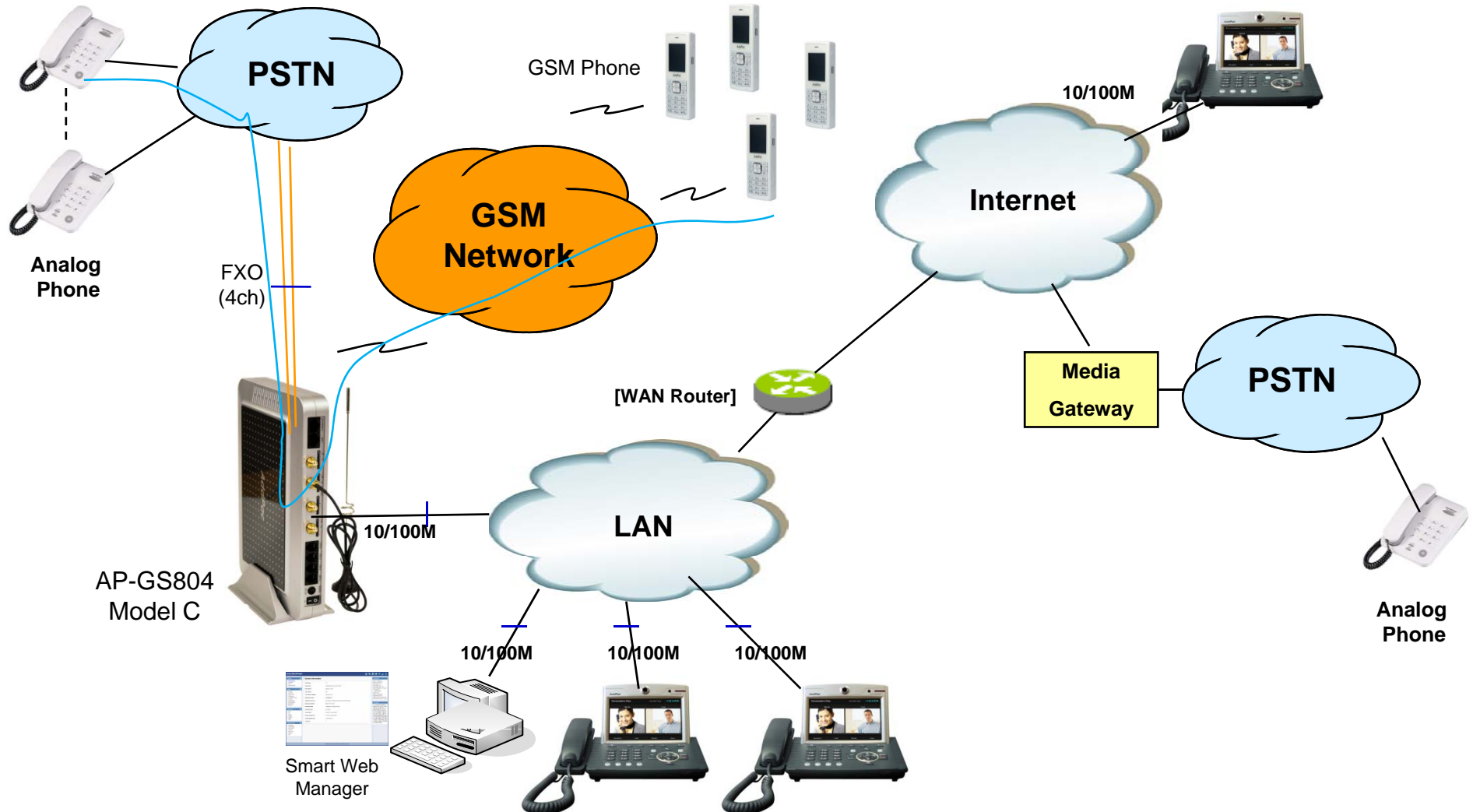


Model C Internal H/W Block Diagram



- GSM Phone to Analog Phone via PSTN (GSM Phone 0 → Analog Phone 0)
- IP Phone to GSM Phone (IP Phone 0 → GSM Phone 2)
- Analog Phone to IP Phone (Analog Phone 3 → IP Phone 1)

Network Service Diagram



GSM Gateway Series

Thank you!

AddPac Technology Co., Ltd.
Sales and Marketing

Phone +82.2.568.3848 (KOREA)

FAX +82.2.568.3847 (KOREA)

E-mail sales@addpac.com