



AP200B 2-Port FXS VoIP Gateway

High Performance VoIP Gateway Solution

PSTN Backup Operation



AddPac

AddPac Technology

Sales and Marketing

www.addpac.com

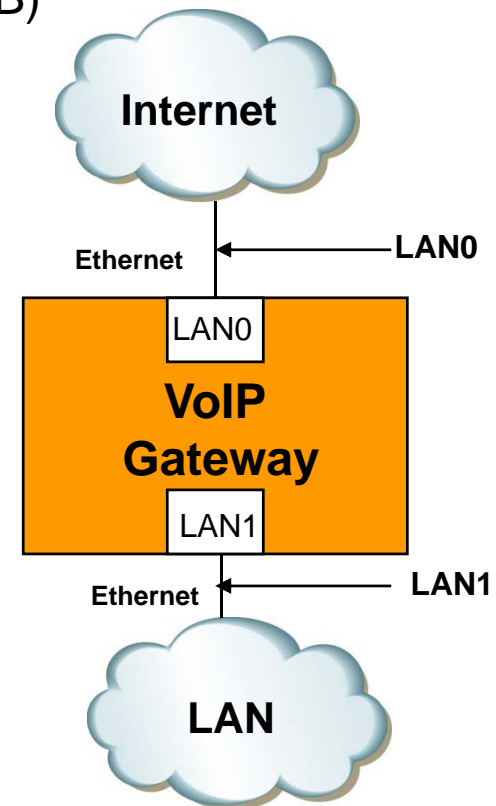
Contents

- Hardware Specification
- AP200B Hardware Block Diagram
- PSTN Backup Architecture
- Application



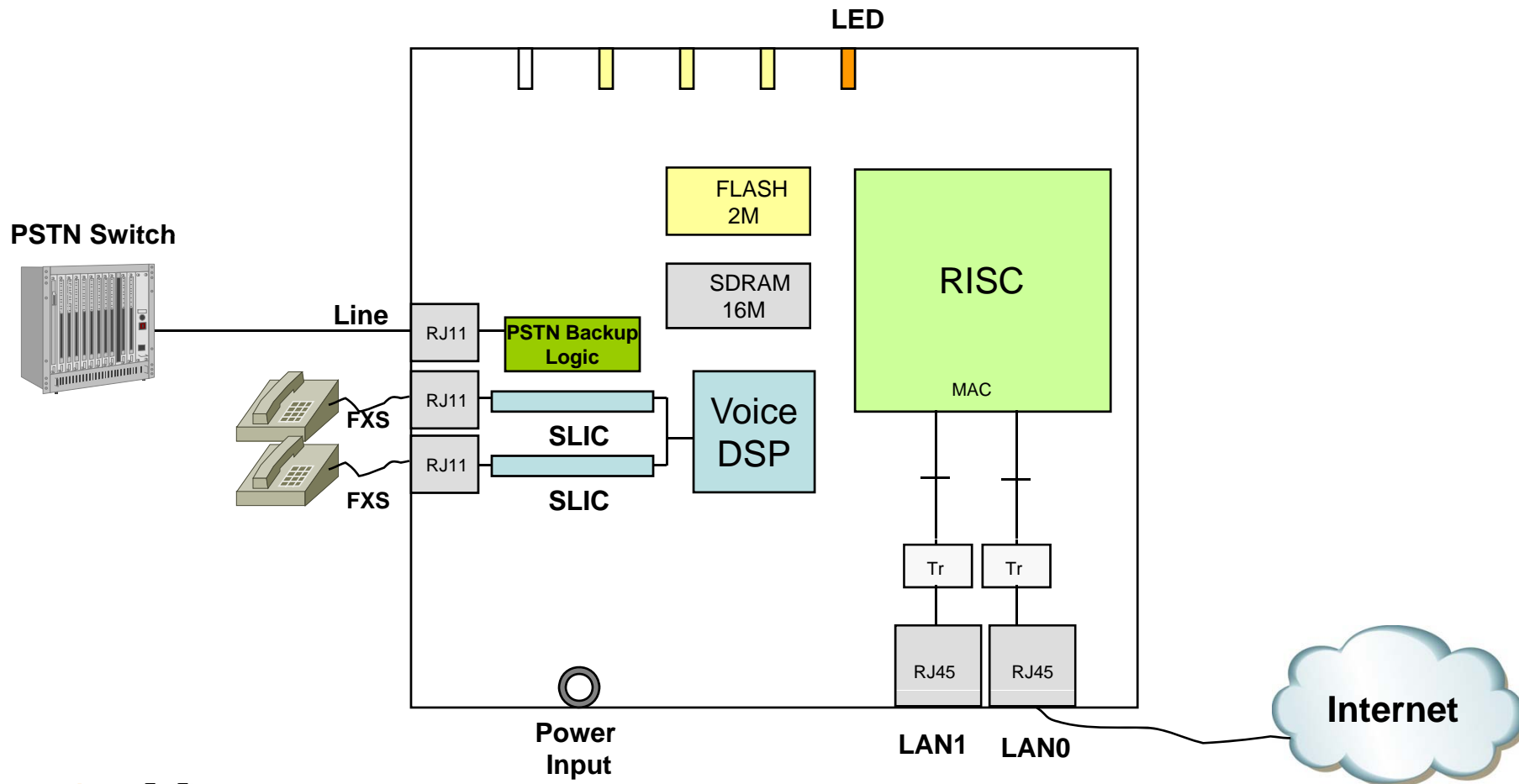
Hardware Specification

- **RISC Microprocessor Computing Power + High End Programmable DSP**
- **VoIP FXS Port**
 - 2-Port FXS Interface with PSTN Backup(AP200B)
- **Network Interface**
 - Two(2) Port Ethernet
- **Power Supply**
 - External Power Adaptor(5V, 2A)
- **Status LEDs**
 - Power LED, LAN0/LAN1 LED, FXS Act LED

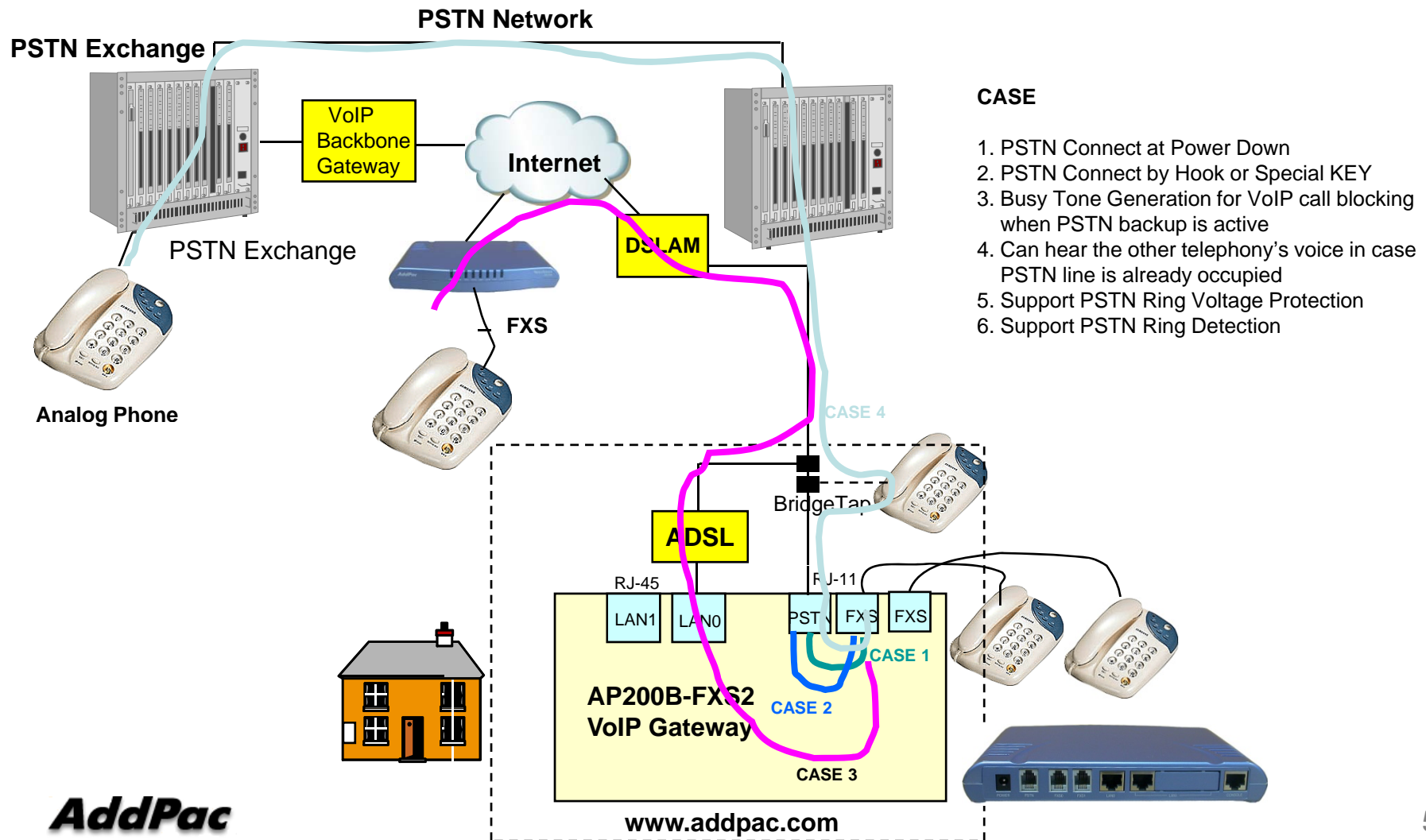


Hardware Logical Diagram (AP200B)

AP200B 2 Port FXS VoIP Gateway



PSTN Backup Architecture



CASE

1. PSTN Connect at Power Down
2. PSTN Connect by Hook or Special KEY
3. Busy Tone Generation for VoIP call blocking when PSTN backup is active
4. Can hear the other telephony's voice in case PSTN line is already occupied
5. Support PSTN Ring Voltage Protection
6. Support PSTN Ring Detection



Thank you!

AddPac Technology Co., Ltd.
Sales and Marketing

Phone +82.2.568.3848 (KOREA)

FAX +82.2.568.3847 (KOREA)

E-mail sales@addpac.com