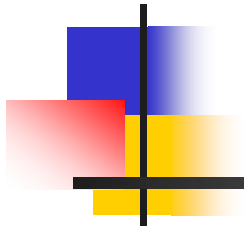


AP190 VoIP Gateway Design Features & Concept



AddPac Technology

R&D Center



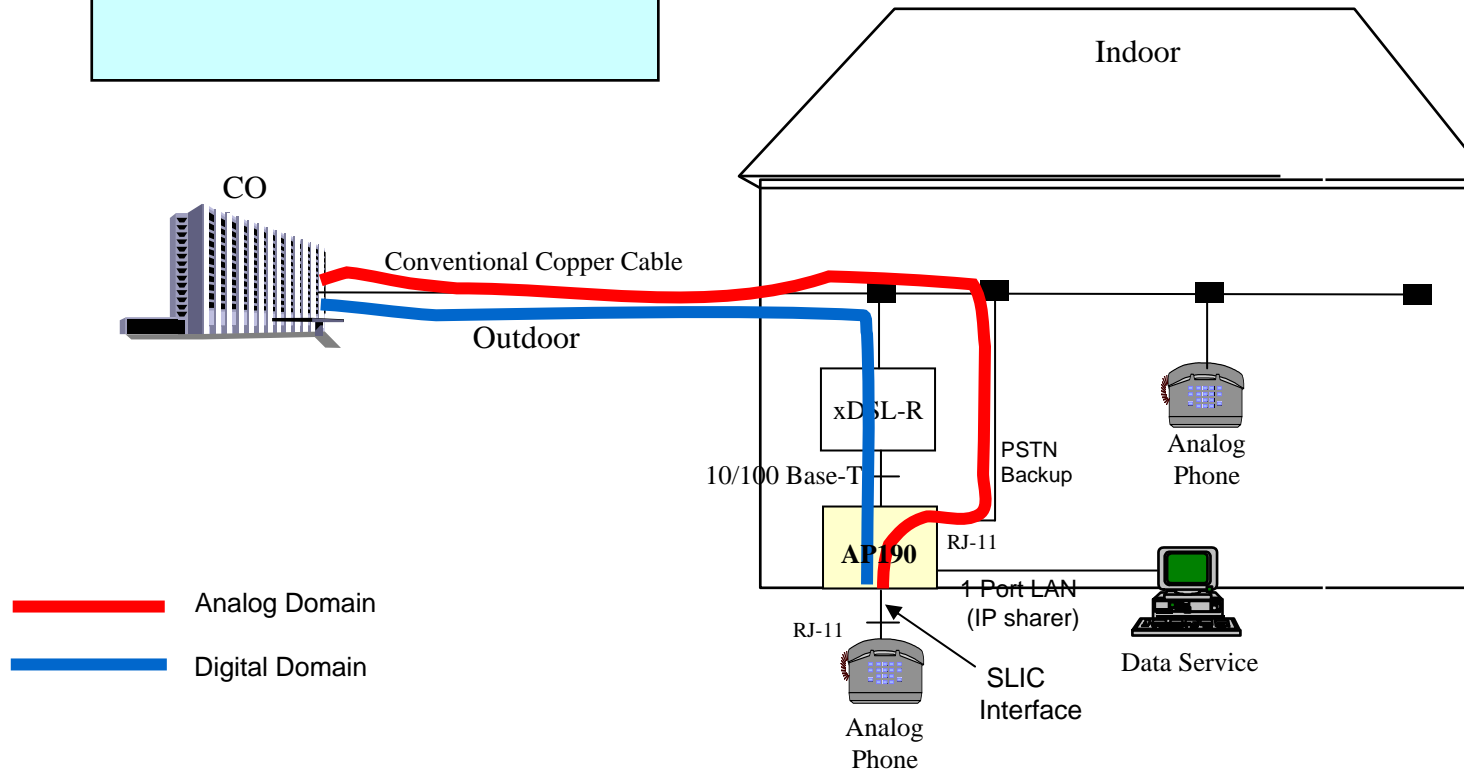
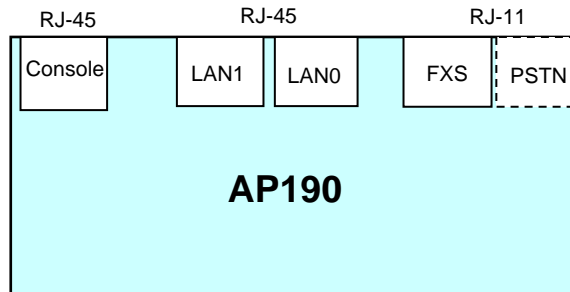
Design Features

- ❑ AP190 H/W Features
 - CPU : ARM9
 - DSP : High Performance DSP for Audio Processing
 - Main Memory : 16Mbyte SDRAM
 - Flash Memory : 2Mbyte
 - Console Port : RJ45
 - Analog Phone : 1 FXS Port, optional PSTN Backup
 - Fast Ethernet Ports : LAN0(10/100Mbps), LAN1 (10/100Mbps)

- ❑ AP190 S/W Features
 - High Performance LAN-to-LAN routing for xDSL
 - H.323, SIP and MGCP Concurrent Triple Stack
 - Voice Codec : G.723.1, G.729.A, G.726, G.711,G711PLC,etc
 - Voice Processing
 - Voice Activity Detection (VAD)
 - DTMF Recognition and DTMF Relay
 - G.168 Echo Cancellation
 - T.38 G3 Real Time FAX Relay (Out-band & In-Band)

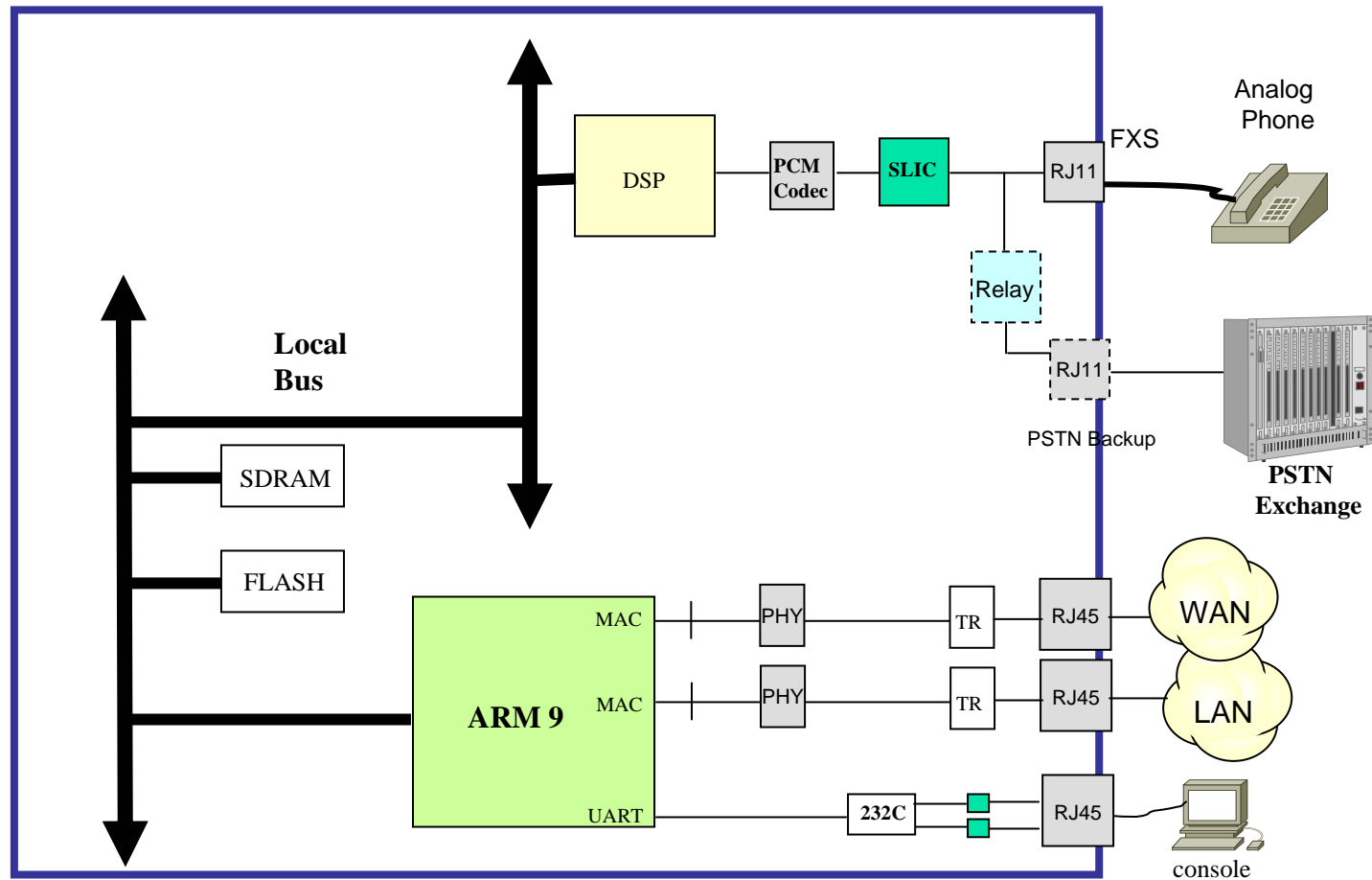
Design Features

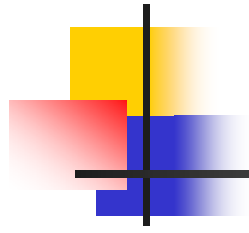
□ AP190



Design Features

AP190 System Block Diagram





Discussion
