



AP-VAC70™

IP HD Video Door Phone

High Performance IP HD Video Door Phone Solution



Design Concept

AddPac

AddPac Technology

2011, Sales and Marketing

www.addpac.com

Contents

- Hardware Specification
- Network Service Diagram
- Hardware Internal Block Diagram



Hardware Specification

RISC
CPU

High-end
Video
DSP

- High Performance IP HD Video Door Phone Solution
- 3x4 Key, TFT Color LCD, Internal MIC & Speaker
- Wide Dynamic Range(WDR) HD Video Camera CMOS Image Sensor
- H.264 720P HD Video Codec Support
- High Quality 2.4 Inch LCD, 320 x 240 Video Resolution
- SIP VoIP Signaling Stack Embedded
- High-performance Video/Voice Codec Support
 - H.264, G.711, etc
- One(1) 10/100Mbps Fast Ethernet
- PoE(Power over Ethernet) Support
- High Quality Speaker Phone Features
- Powerful Acoustic Echo Canceller Chip Embedded
- Powerful Network Protocols (PPPoE, DHCP, Static Routing, etc)
- Firmware Upgradeable Architecture
- Advanced Voice QoS Mechanism

Hardware Specification

RISC
CPU

High-end
Video
DSP

- RISC+DSP Microprocessor Computing Power
- Audio and Voice Interface
 - Internal MIC
 - Internal Speaker
 - 3 x 4 key PAD
- HD Video Camera Image Sensor
- TFT Color LCD Interface
 - 2.4 Inch LCD, 320 x 240 Video Resolution
- Network Interface
 - One(1) 10/100Mbps Fast Ethernet
- RF Card Interface
- Alarm & Relay Out Interface (door open, etc)
- RS232/RS485 Interface
- External RCA Audio Line Out and MIC In (back side)
- Power Supply
 - Power over Ethernet (Option)
 - External Power Supply



Hardware Specification

RISC
CPU

High-end
Video
DSP

- Acoustic Echo Canceller
 - Full-duplex operation during double-talk situations
 - One channel AEC, one channel LEC up to 256ms shared
 - Cancels echoes with up to 10dB echo return
 - Advanced noise reduction(up to 20dB)
- Speaker
 - Impedance : 8 +-15%ohm at 1kHz, 1.0 Vrms
 - Sound Pressure : 90 +- 3dB at 0.1W/10 CM
at 800Hz, 1.0kHz, 1.2kHz, 1.5kHz
 - Resonance Level : 550Hz +- 20%Hz at Fo Hz, 1.0Vrms
 - Frequency Range : Fo Hz ~20kHz
 - Input Power : Normal : 1.0 W, Max : 2.0W
- Audio Amplifier
 - 1-W BTL Output(5V, 0.11 % THD+N)
 - Uncompensated Gains of 2 to 20 (BTL Mode)
 - Thermal and Shot-circuit Protection
 - High Supply Ripple Rejection Ratio
- PoE(Power over Ethernet)
 - IEEE802.3af compliant
 - Input voltage range 36V to 57V
 - Short-circuit Protection



Hardware Specification

RISC
CPU

High-end
Video
DSP

- LCD Controller
 - One-Chip Solution for amorphous TFT-LCD
 - Support resolution up to 240xRGBx320
 - Built-in 172800 bytes internal RAM
 - 6,8,16, and 18-bit RGB Interface
 - Resize Function (x ½, x ¼)
 - On-Chip Power Management System
- HD Video Camera
 - CMOS 720P Wide Dynamic Range(WDR) HD Image Sensor
 - Output Formats : YUV, separated and combined RAW
 - Image Size : WXGA(1280x480), HD 720P(1280x720), WVGA(752x480),
VGA(640x480), CIF(352x288), QVGA(320x240)
 - 1/3 Inch One(1) Megapixel Image Sensor
 - Automatic Exposure/Gain
 - Horizontal and Vertical Windowing Capability
 - Auto White Balance Control
 - Aperture/Gamma Correction
 - 50/60Hz Flicker Cancellation
 - Defective Pixel Correction

Hardware Specification

RISC
CPU

High-end
Video
DSP

- RF Card Sensor
 - Protocol Supported
 - ISO14443A/B all bit rates
 - > 106,212,424 and 848 kbps
 - Compatible to MiFare Classic
 - ISO15693 all modes
 - > 1.65/6.6 & 26.5 kbps
 - > Uplink 1 & 2 sub-carrier
 - Receiver
 - Rx Sensitivity down to 1mVrms
 - Rx Automatic Gain Control
 - Accept external baseband signal from external circuitry for frame level processing
 - Integrated signal strength indicator (SSI)
 - On-Chip Framing handler for supported standard
 - Transmitter
 - Typical proximity operating distance up to 100mm.
 - Software configurable modulation index
 - Maximum driving current up to 200 mA/PIN @ 5V
 - Accept external baseband signal for RF modulation
 - Wide Transmitter driver supply range from 2.7~7.0V



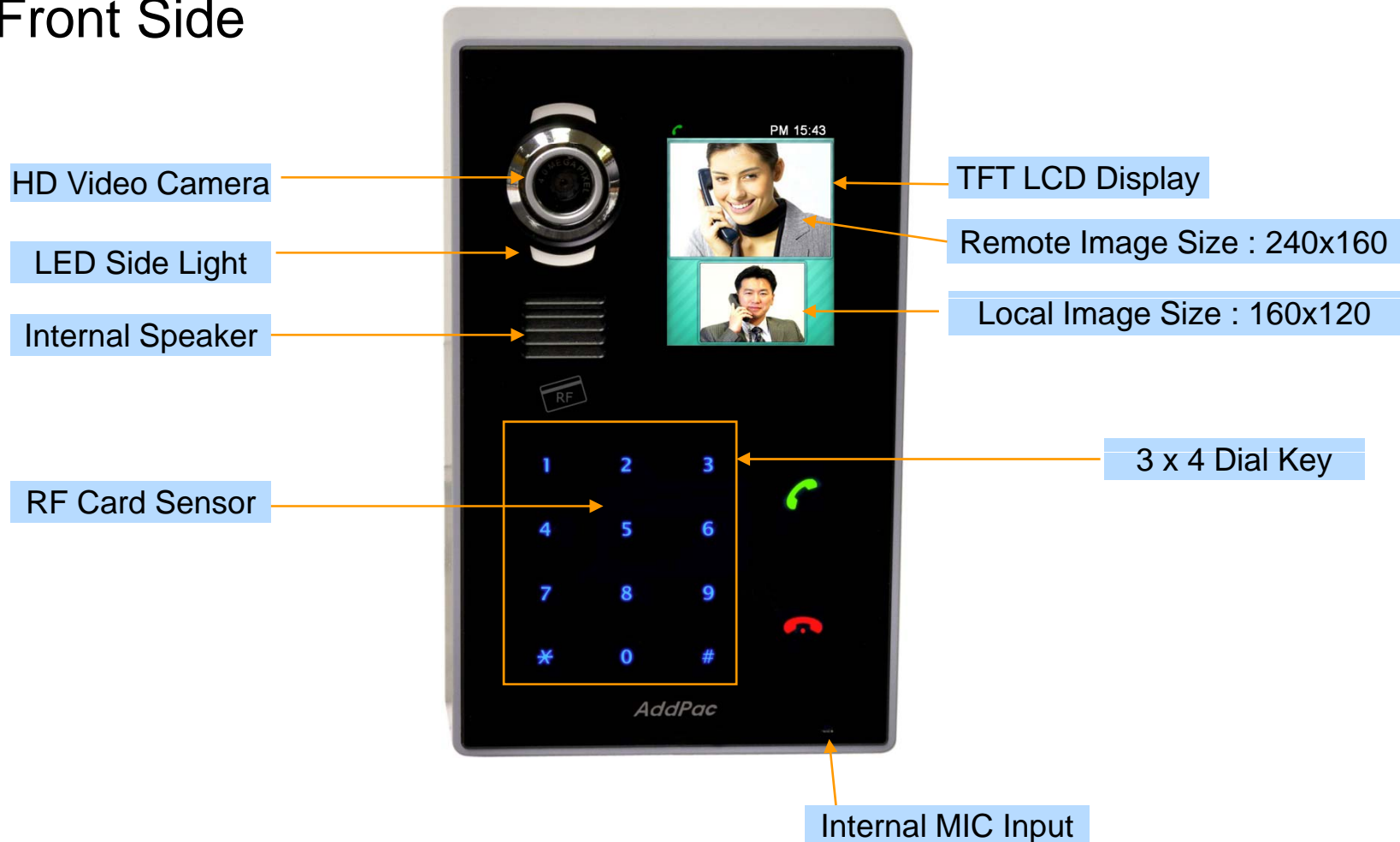
RF Card Sensor

Hardware Specification

RISC
CPU

High-end
Video
DSP

Front Side

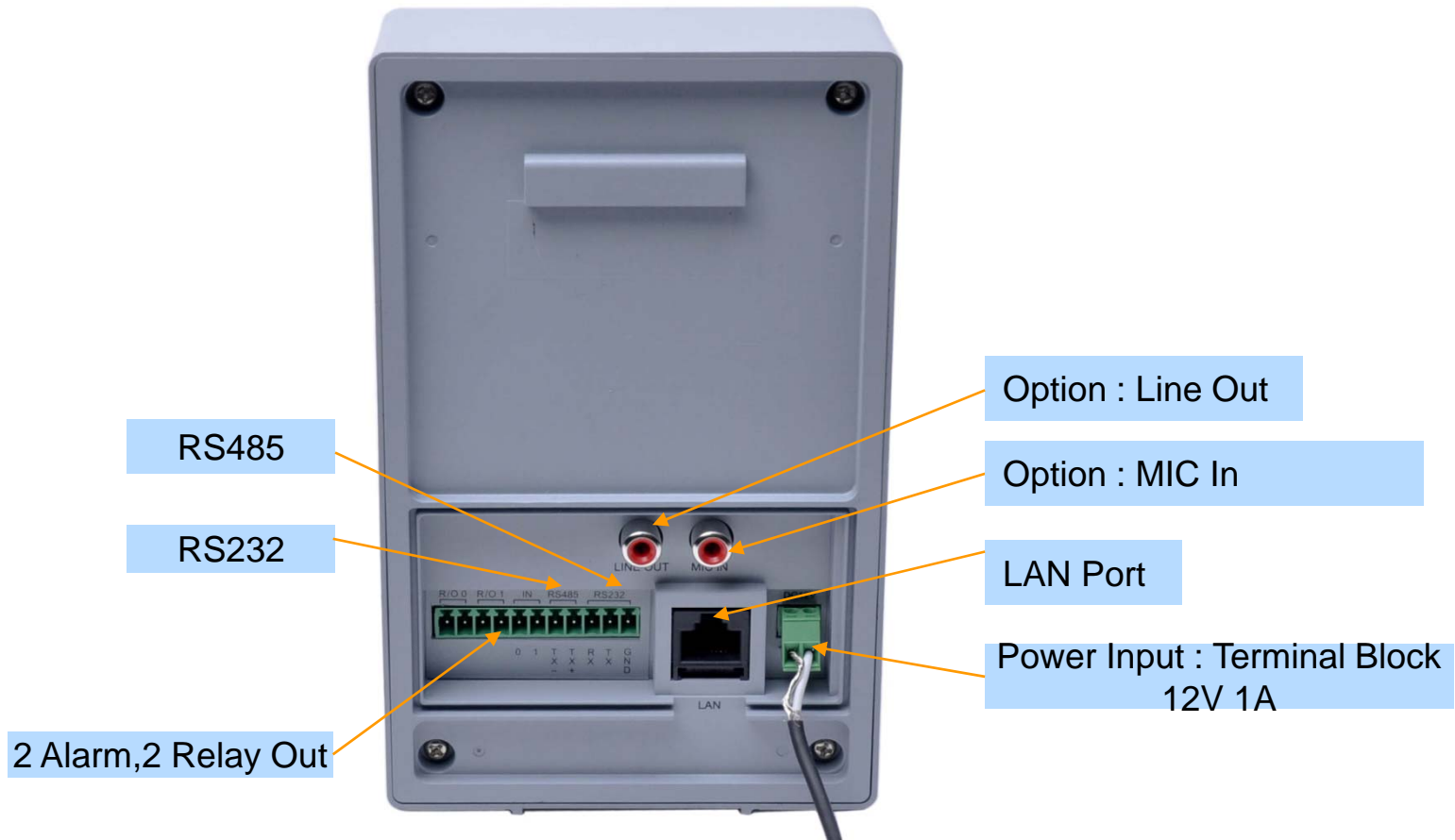


Hardware Specification

RISC
CPU

High-end
Video
DSP

Back Side



Hardware Specification

RISC
CPU

High-end
Video
DSP

Back Side



Wall Mount Bracket

Rubber Cover for light waterproof

Hardware Specification

RISC
CPU

High-end
Video
DSP

Power Supply

Terminal Block

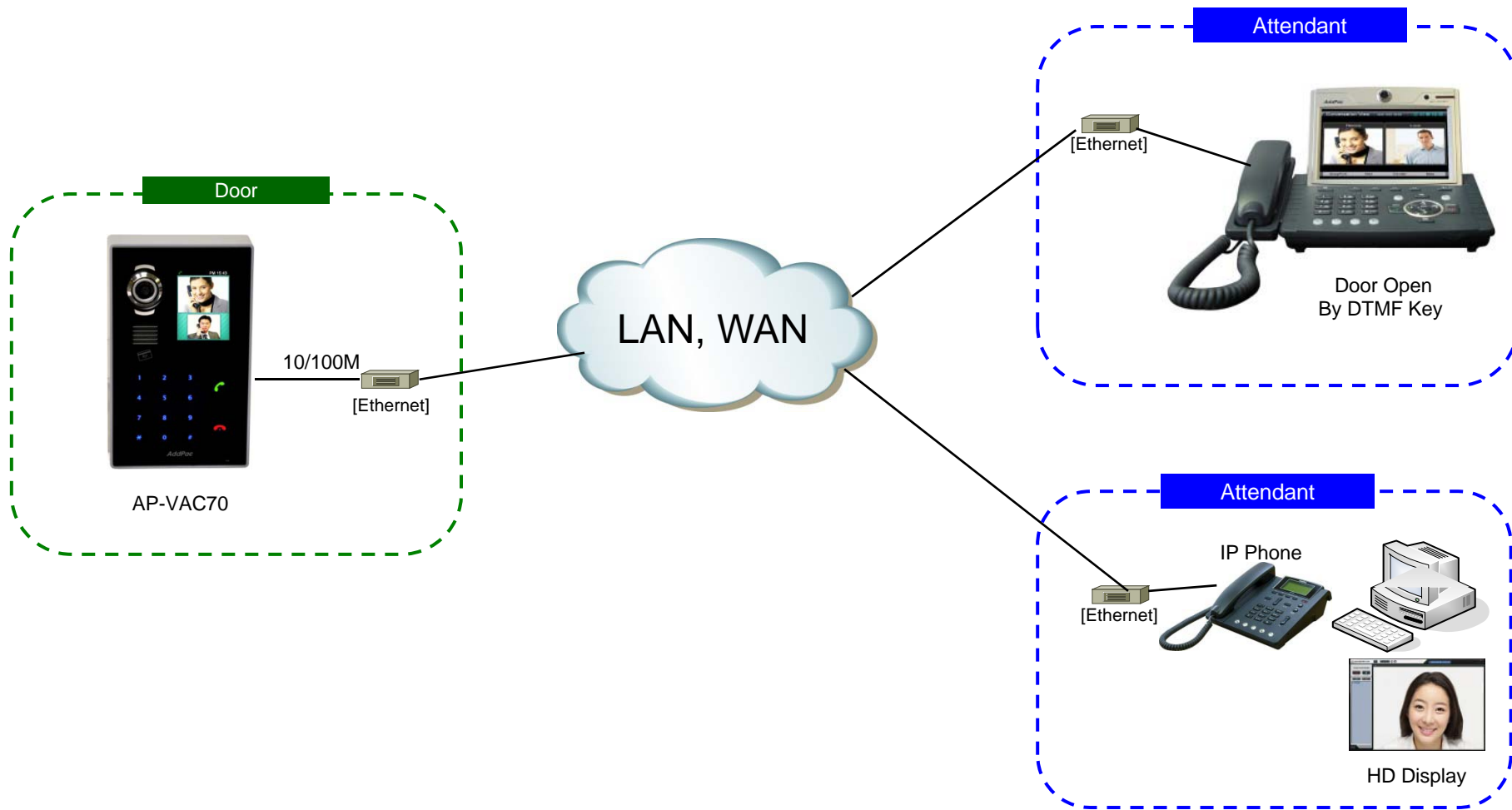


12V 1A Power Adaptor

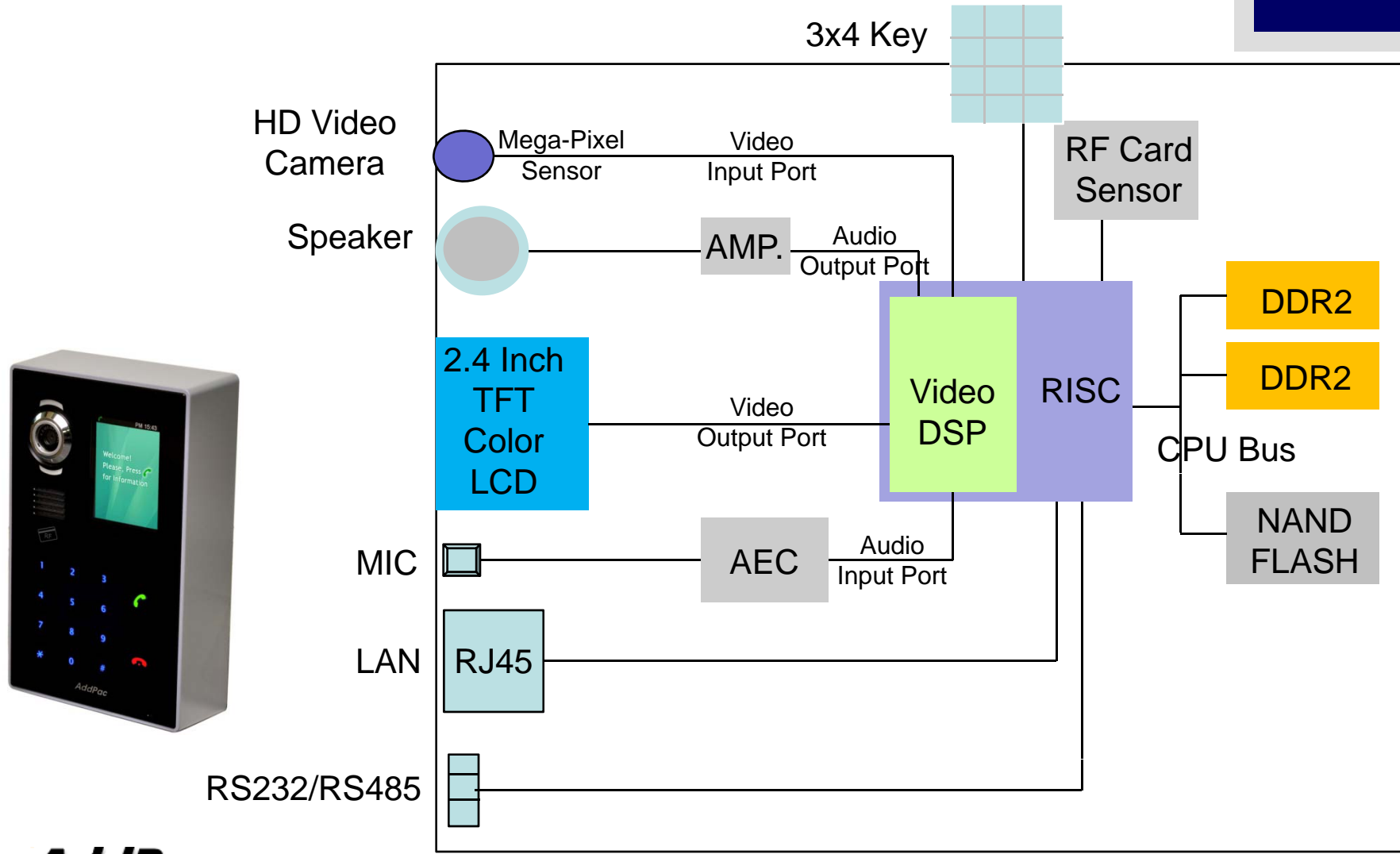
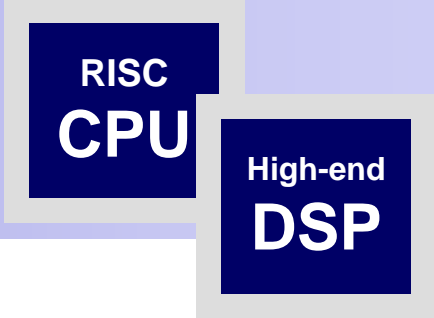
Example



Network Service Diagram



Hardware Block Diagram



AddPac

IP Video Door Phone Series

Thank you!

AddPac Technology Co., Ltd.
Sales and Marketing

Phone +82.2.568.3848 (KOREA)

FAX +82.2.568.3847 (KOREA)

E-mail sales@addpac.com