



AP5800™ (256 Port) Large Scale VoIP Gateway

High Performance VoIP Gateway Solution

Comparison between AP5800 and
AP6800



AddPac

AddPac Technology

2011, Sales and Marketing

www.addpac.com

Contents

- Product Overview
- Hardware Specification
- System Block Diagram
- Comparison between AP5800 and AP6800



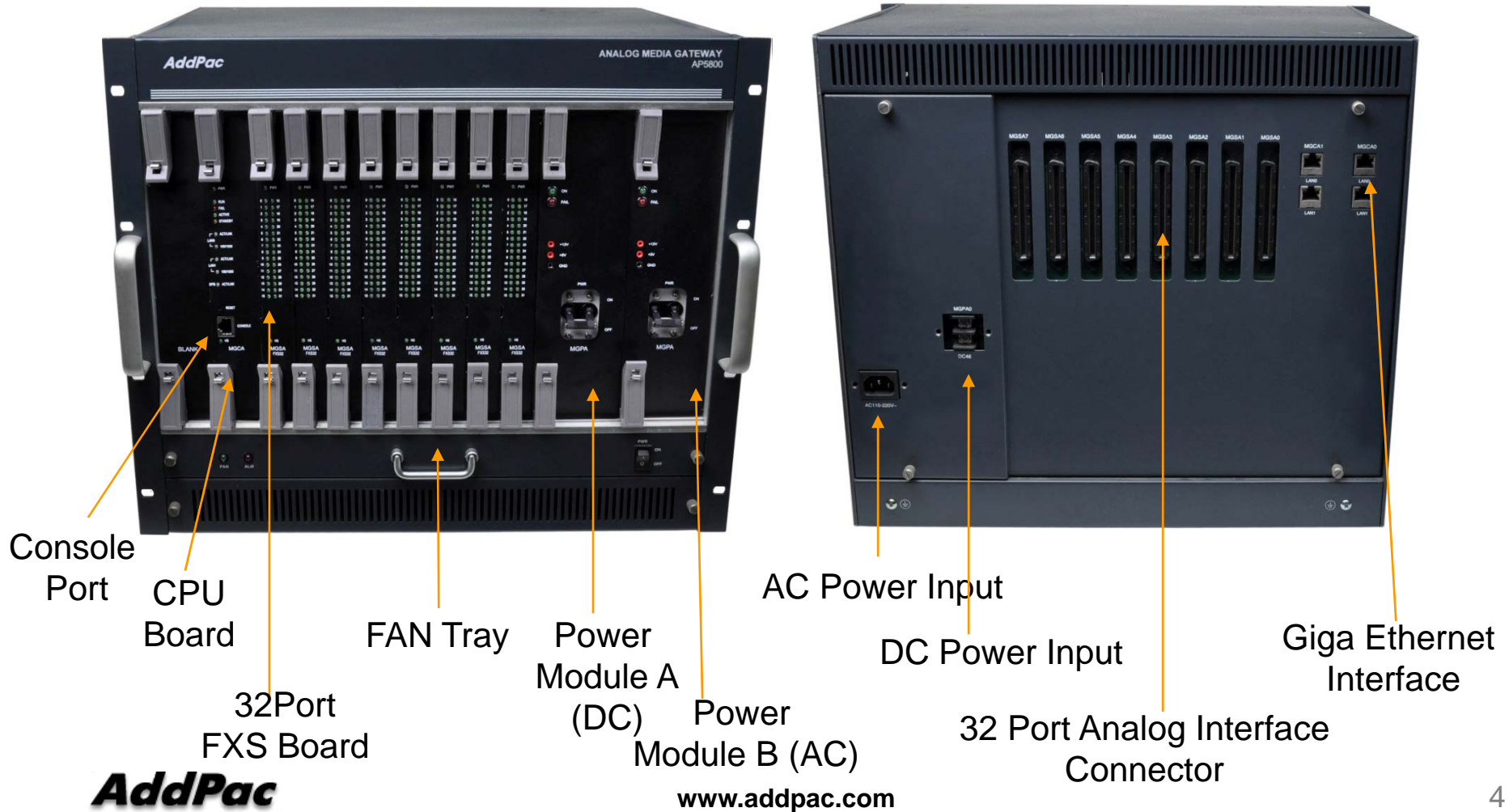
Product Overview

AP5800 Large Scale VoIP Gateway

- SIP VoIP Stack (Redundancy Mode : Dual CPU Mode)
- H.323/SIP/MGCP Concurrent VoIP Stack (Single CPU Mode)
- High Performance RISC Processor
- Dual Power Redundancy (AC, DC) selectable at ordering
- Hot-Swap Function Support
- Up to 256 Analog Interface Port (32Port Board x 8 Ea) Support
- Two(2) 10/100/1000Mbps Giga-Bit Ethernet Interface
- G.711/G.726/G.723/G.729, T.38 Fax , VAD, etc
- Powerful Network Protocols (PPPoE, DHCP, Static Routing, etc)
- Firmware Upgradeable Architecture
- VPMS (VoIP Plug&Play Management System) for Large Scale Deployment
- Advanced Voice QoS Mechanism

Hardware Specification

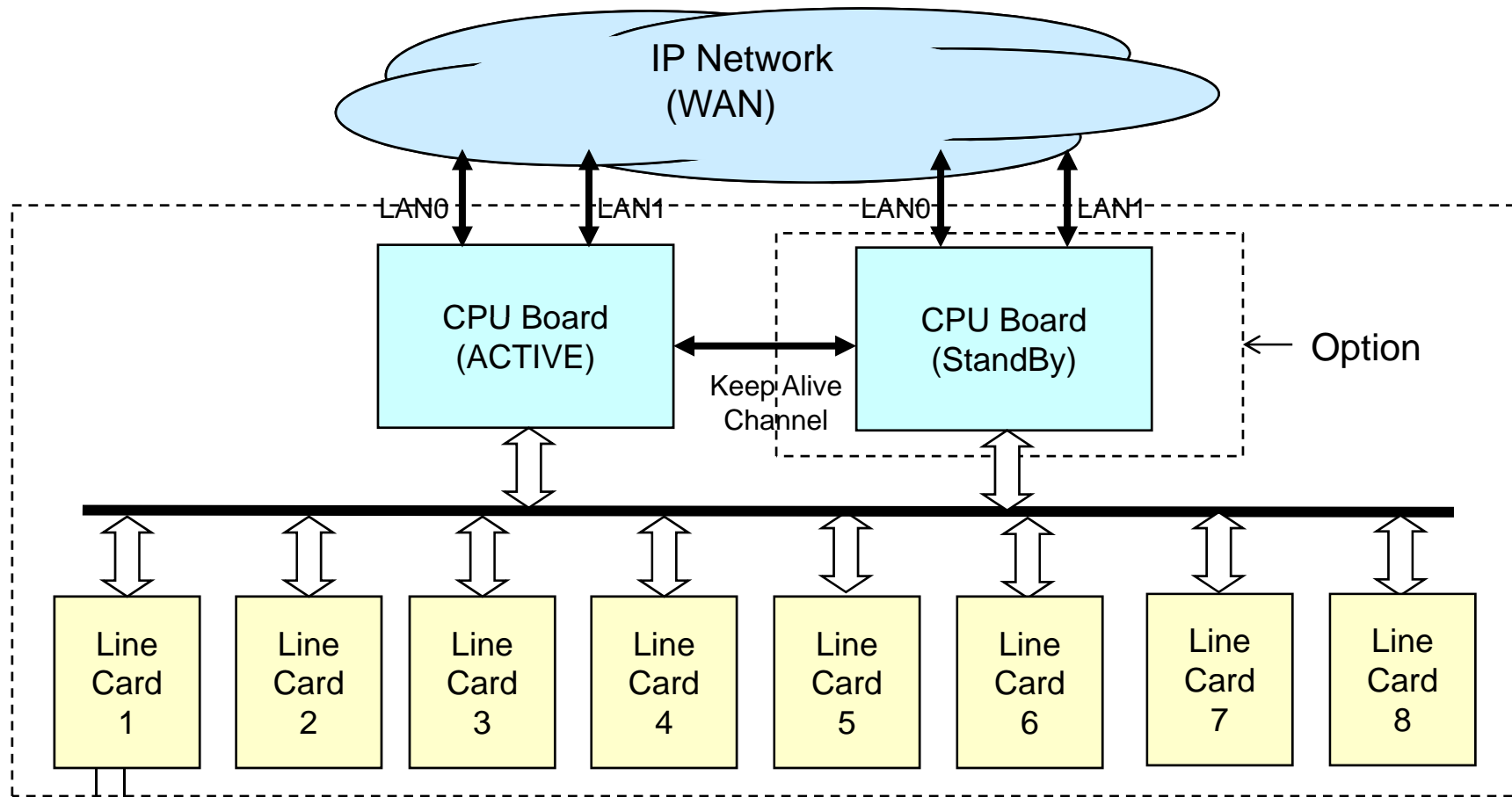
AP5800 Large Scale VoIP Gateway



System Block Diagram



AP5800 Large Scale VoIP Gateway

AP5800 System Block Diagram



Comparison between AP5800 and AP6800

AP5800 Large Scale VoIP Gateway

Product	AP5800	AP6800
		
System Capacity	Up to 256 Port	Up to 256 Port
Analog Interface Module	MGSA-FXS32, MGSA-FXS32-N1 , MGSA-FXO32	MGSA-FXS32, MGSA-FXO32
CPU Duplication	Yes	Yes
Concurrent Call	More than 160 channel (62.5%) Performance (Codec : G.711)	Full Performance 256 channel = 100% (Codec : G.711)
Hot-Swap	Support	Support
Power Type	AC, DC (at ordering)	AC, DC (at ordering)
Power Duplication	Yes	Yes
VoIP Signaling	SIP (CPU Duplication Mode), H.323,SIP,MGCP(Single CPU Mode)	SIP (CPU Duplication Mode), H.323,SIP,MGCP(Single CPU Mode)
Application	In-building Application, Short Distance Application(MGSA-FXS32-N1)	NGN Service, Long Distance, Full Concurrent Service

VoIP Gateway Series

Thank you!

AddPac Technology Co., Ltd.
Sales and Marketing

Phone +82.2.568.3848 (KOREA)

FAX +82.2.568.3847 (KOREA)

E-mail sales@addpac.com