

AP-IP300™

BcN IP Phone

High Performance Broadband Convergence Network
IP Phone Solution

802.1Q + 802.1P + Bridge



AddPac

AddPac Technology

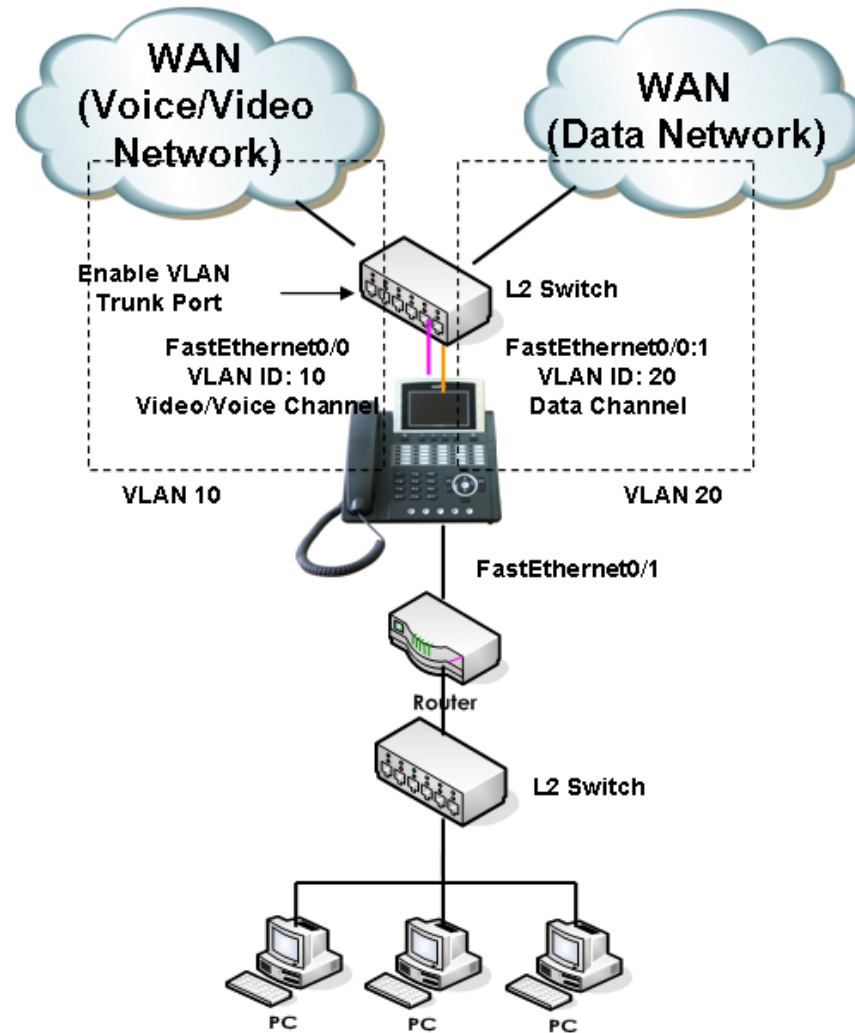
Sales and Marketing

www.addpac.com

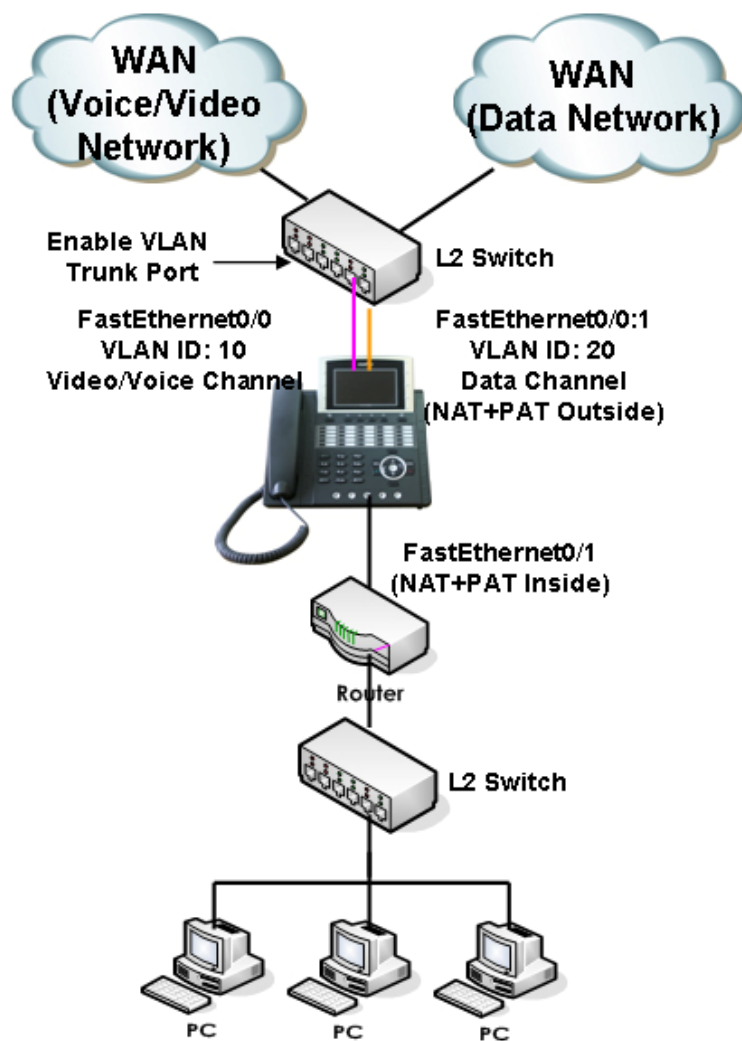
Contents

- 802.1Q VLAN Encapsulation
- 802.1P VLAN Priority
- VLAN Bridge

802.1Q VLAN + NAT/PAT

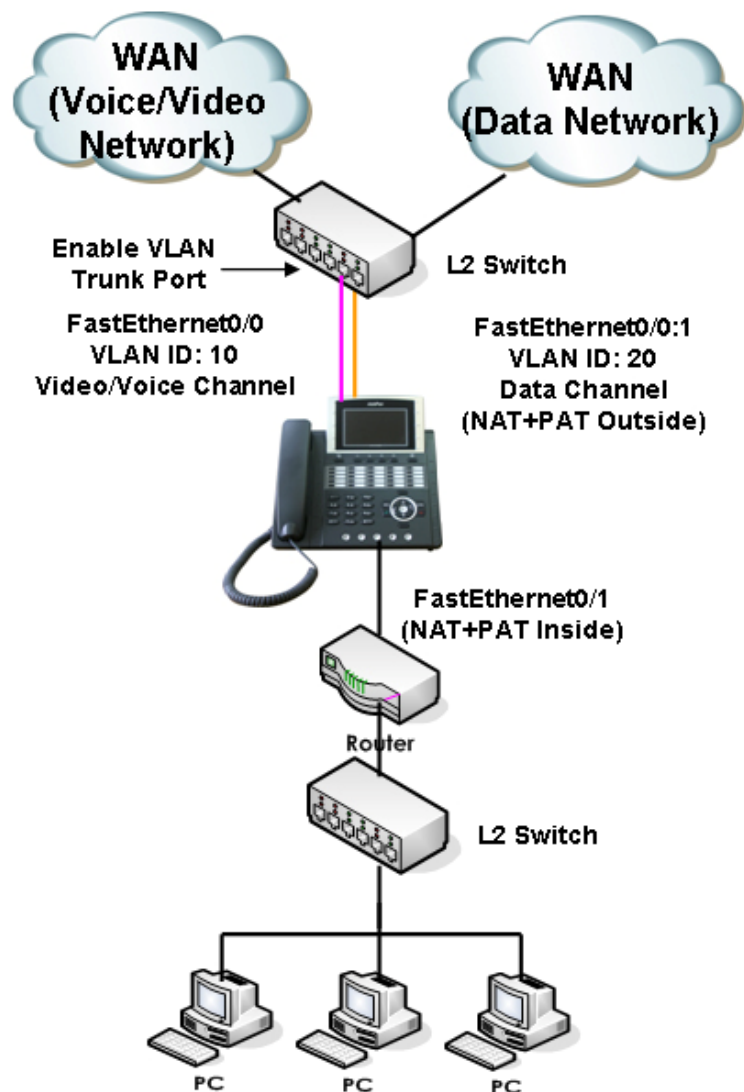


Public IP (Static IP) + NAT/PAT



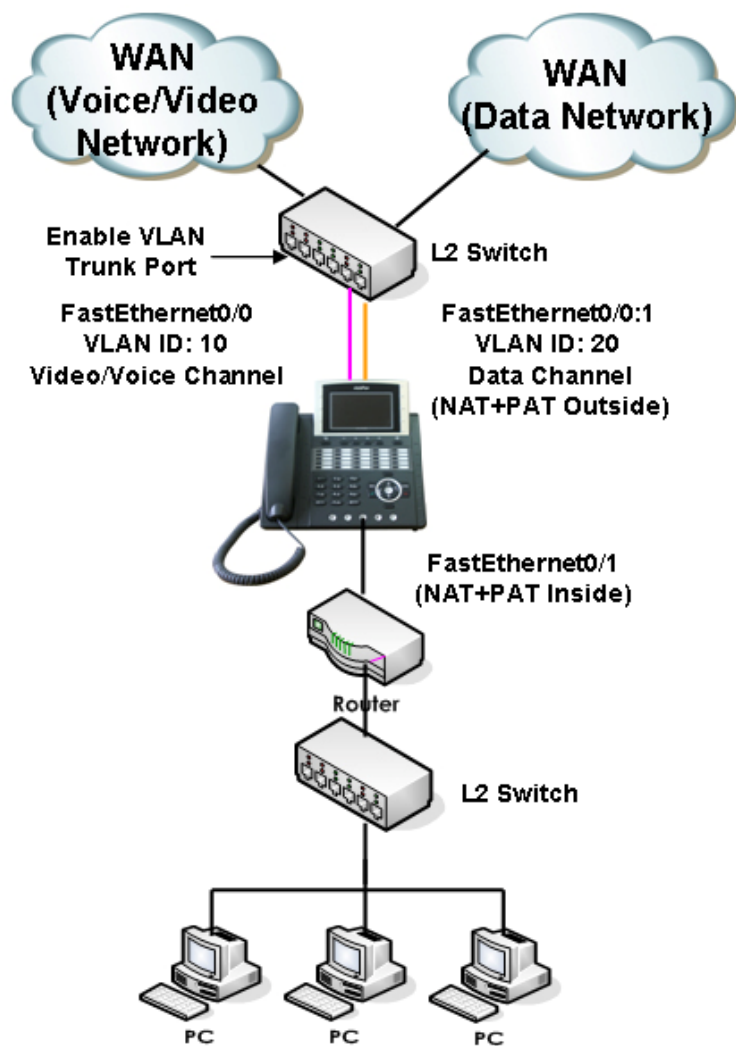
```
!  
interface Loopback0  
ip address 127.0.0.1 255.0.0.0  
!  
interface FastEthernet0/0  
ip address 200.212.149.130 255.255.255.0  
encapsulation dot1Q 10  
speed auto  
!  
interface FastEthernet0/1  
ip address 10.1.1.1 255.255.255.0  
ip nat inside  
speed auto  
!  
interface FastEthernet0/0:1  
ip address 61.33.161.130 255.255.255.0  
encapsulation dot1Q 20  
ip nat outside  
!  
ip route 0.0.0.0 0.0.0.0 61.33.161.1  
ip route 0.0.0.0 0.0.0.0 200.212.149.1  
!  
access-list 1 permit 10.1.1.0 0.0.0.255  
!  
ip nat inside source list 1 interface FastEthernet0/0:1 overload  
!
```

Public IP (DHCP) + NAT/PAT



```
interface Loopback0
 ip address 127.0.0.1 255.0.0.0
 !
interface FastEthernet0/0
 ip address dhcp
 encapsulation dot1Q 10
 speed auto
 !
interface FastEthernet0/1
 ip address 10.1.1.1 255.255.255.0
 ip nat inside
 speed auto
 !
interface FastEthernet0/0:1
 ip address dhcp
 encapsulation dot1Q 20
 ip nat outside
 !
access-list 1 permit 10.1.1.0 0.0.0.255
 !
ip nat inside source list 1 interface FastEthernet0/0:1 overload
```

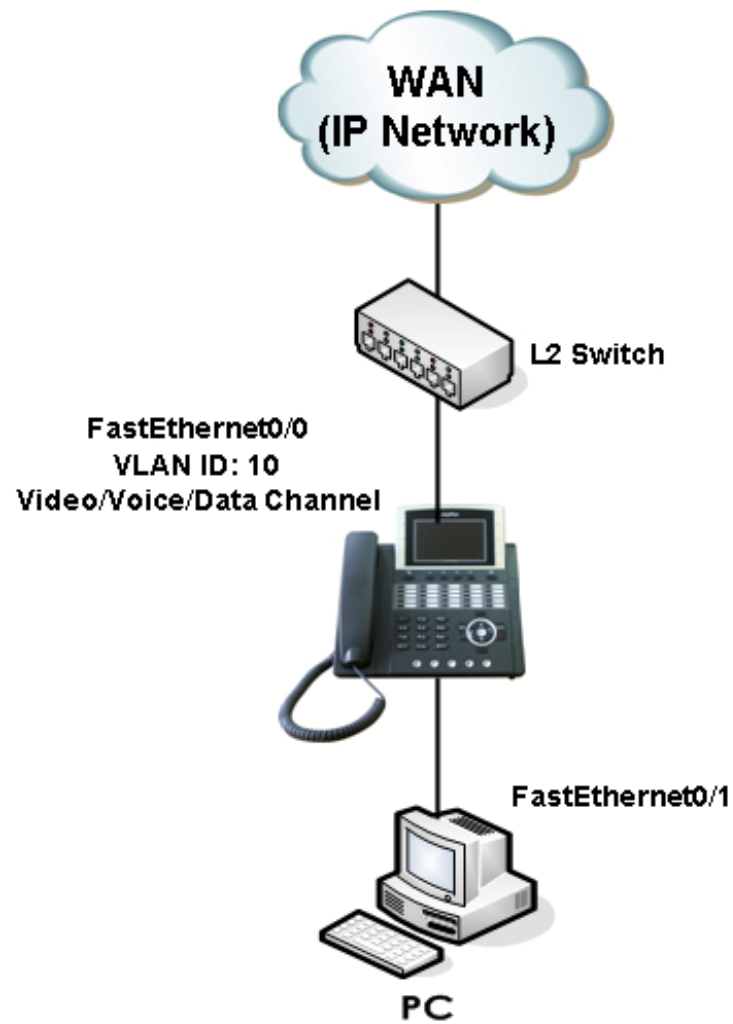
Public IP (PPPoE) + NAT/PAT



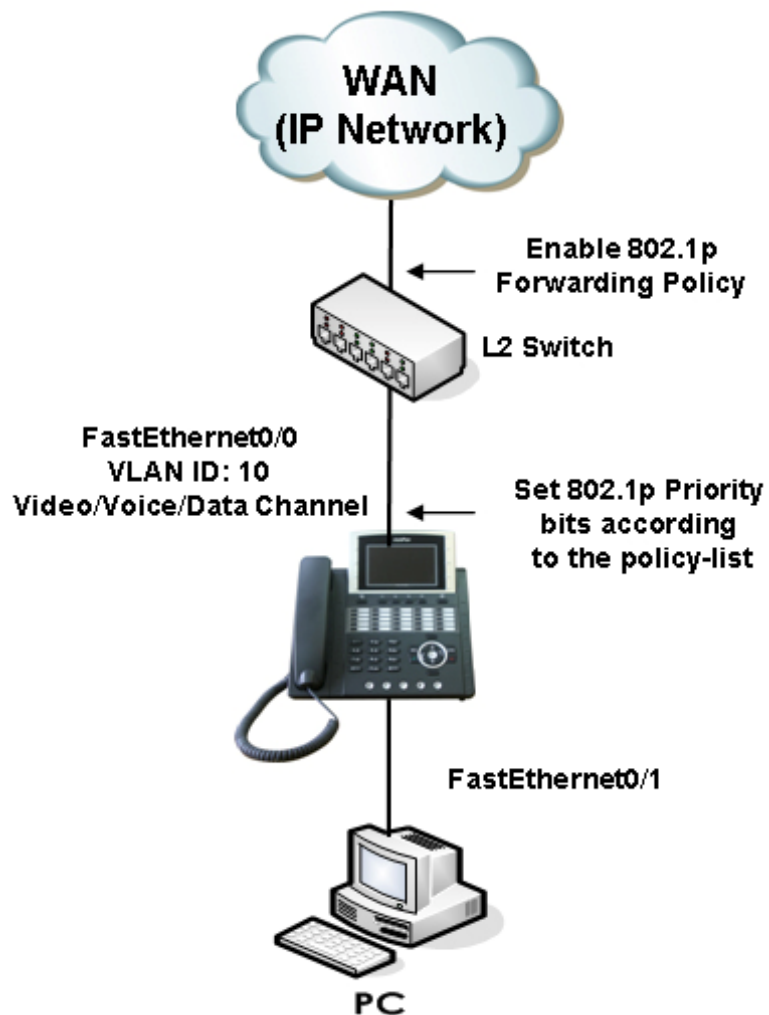
```

interface FastEthernet0/0
no ip address
encapsulation dot1Q 10
pppoe enable
encapsulation ppp
pppoe-client local-interface
ppp authentication pap callin
ppp pap sent-username test password test
speed auto
!
interface FastEthernet0/1
ip address 10.1.1.1 255.255.255.0
ip nat inside
speed auto
!
interface FastEthernet0/0:1
no ip address
encapsulation dot1Q 20
pppoe enable
encapsulation ppp
pppoe-client local-interface
ppp authentication pap callin
ppp pap sent-username test password test
ip nat outside
!
access-list 1 permit 10.1.1.0 0.0.0.255
!
ip nat inside source list 1 interface FastEthernet0/0:1 overload
    
```

802.1Q VLAN +802.1P CoS

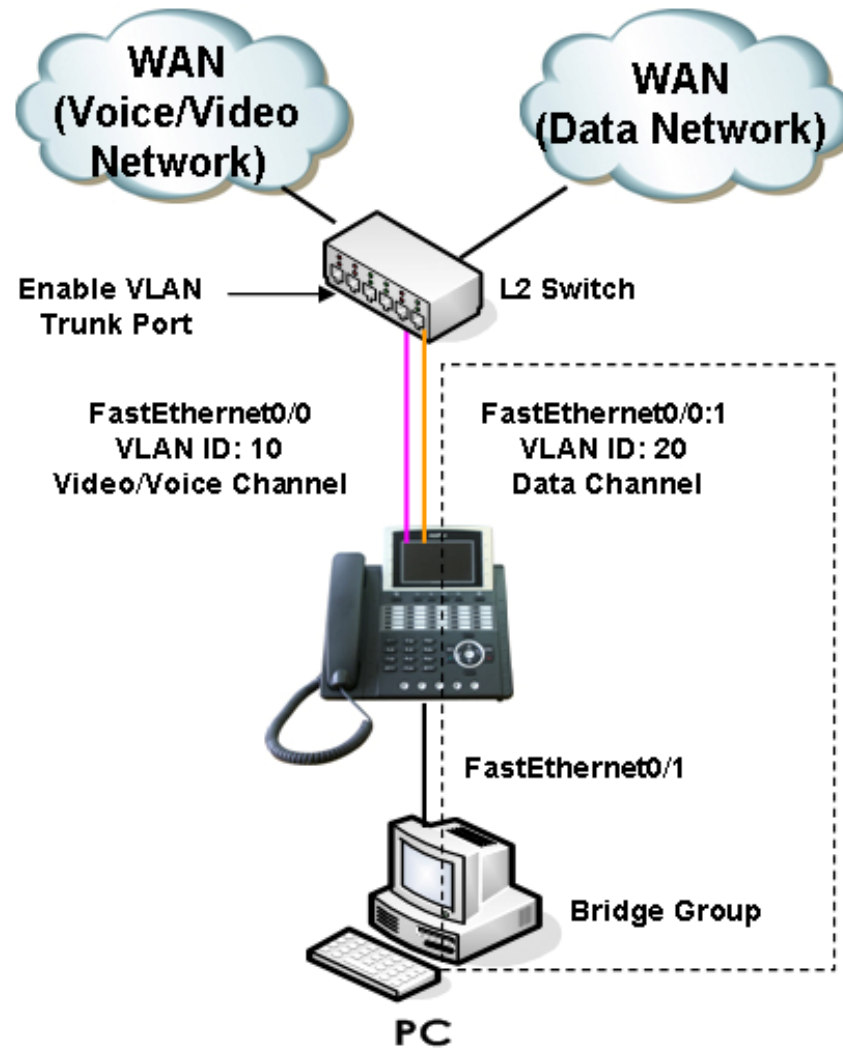


VLAN + CoS

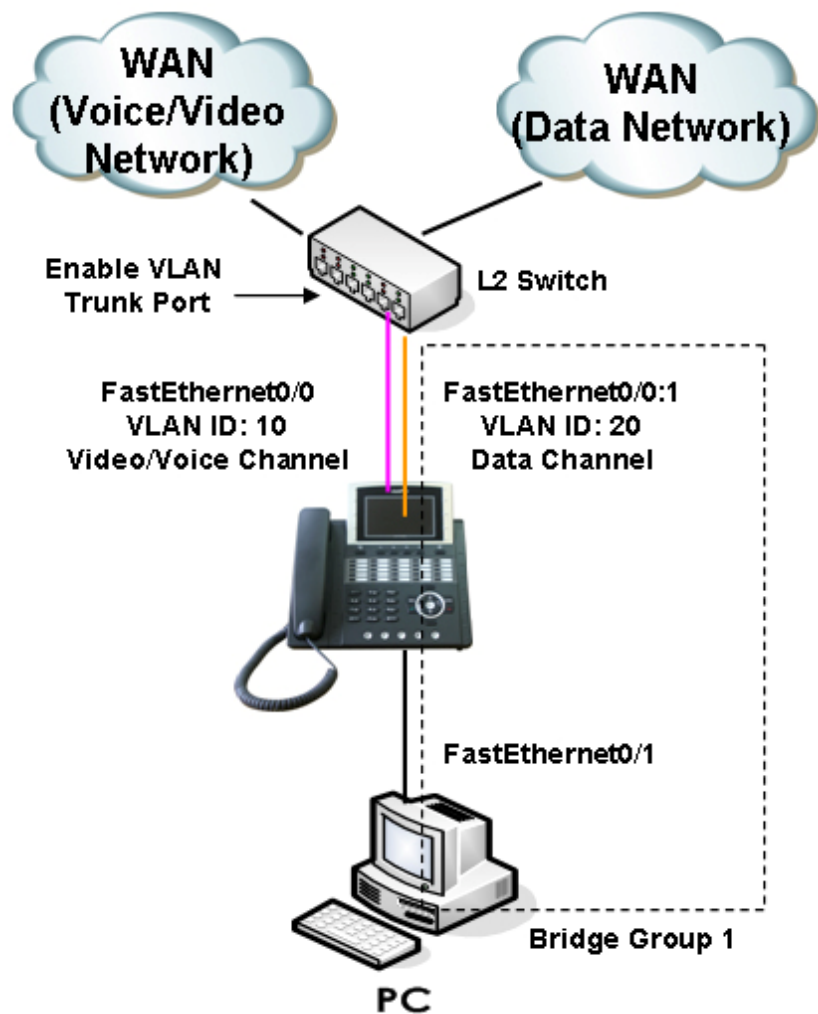


```
!  
interface Loopback0  
ip address 127.0.0.1 255.0.0.0  
!  
interface FastEthernet0/0  
ip address 200.212.149.130 255.255.255.0  
encapsulation dot1Q 10  
ip nat outside  
ip policy-group 1  
speed auto  
!  
interface FastEthernet0/1  
ip address 10.1.1.1 255.255.255.0  
ip nat inside  
speed auto  
!  
ip route 0.0.0.0 0.0.0.0 200.212.149.1  
!  
access-list 1 permit 10.1.1.0 0.0.0.255  
!  
ip policy-list 1 local signaling cos 7  
ip policy-list 1 local rtp cos 7  
ip policy-list 1 default cos 0  
!  
ip nat inside source list 1 interface FastEthernet0/0 overload  
!
```


802.1Q VLAN + Bridge

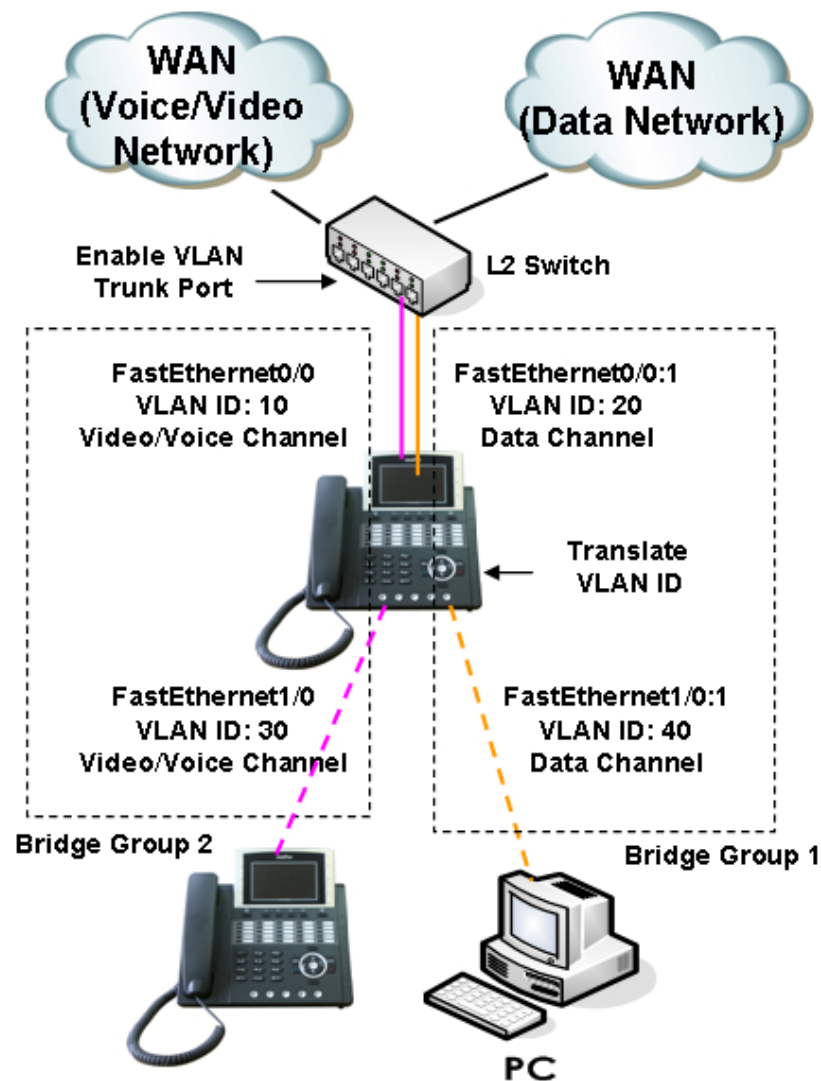


VLAN + Single Bridge Group



```
!  
interface Loopback0  
 ip address 127.0.0.1 255.0.0.0  
!  
interface FastEthernet0/0  
 ip address 200.212.149.130 255.255.255.0  
 encapsulation dot1Q 10  
 speed auto  
!  
interface FastEthernet0/1  
 no ip address  
 bridge-group 1  
 speed auto  
!  
interface FastEthernet0/0:1  
 no ip address  
 encapsulation dot1Q 20  
 bridge-group 1  
!  
no ip routing  
!  
ip route 0.0.0.0 0.0.0.0 200.212.149.1  
!  
!
```

VLAN + Double Bridge Group



```

!
interface FastEthernet0/0
ip address 200.212.149.130 255.255.255.0
encapsulation dot1Q 10
bridge-group 2
speed auto
!
interface FastEthernet0/1
no ip address
encapsulation dot1Q 30
bridge-group 2
speed auto
!
interface FastEthernet0/0:1
no ip address
encapsulation dot1Q 20
bridge-group 1
!
interface FastEthernet1/0:1
no ip address
encapsulation dot1Q 40
bridge-group 1
!
no ip routing
!
ip route 0.0.0.0 0.0.0.0 200.212.149.1
!
    
```

IP Phone Series

Thank you!

AddPac Technology Co., Ltd.
Sales and Marketing

Phone +82.2.568.3848 (KOREA)

FAX +82.2.568.3847 (KOREA)

E-mail sales@addpac.com