



# AP-IP300G Gigabit Ethernet Premium IP Phone

High Performance Broadband Convergence Network  
IP Phone Solution



AP-PT20 IP Speed Dial  
Extension Terminal

**AddPac**

**AddPac Technology**

Sales and Marketing

[www.addpac.com](http://www.addpac.com)

# Contents

- AP-IP300G + AP-PT20 Pictures
- AP-IP300G + AP-PT20 Interconnection Diagram
- Network Diagram
- AP-IP300G Product Overview
- AP-IP300G Hardware Specification
- AP-PT20G Product Overview
- AP-PT20G Hardware Overview

# AP-IP300G + AP-PT20 x 1

Total 65 Speed Dial Key



**AP-IP300G**  
(25 Speed Dial Button)

**AP-PT20**  
(40 Speed Dial Button)

# AP-IP300G + AP-PT20 x 2

Total 105 Speed Dial Key

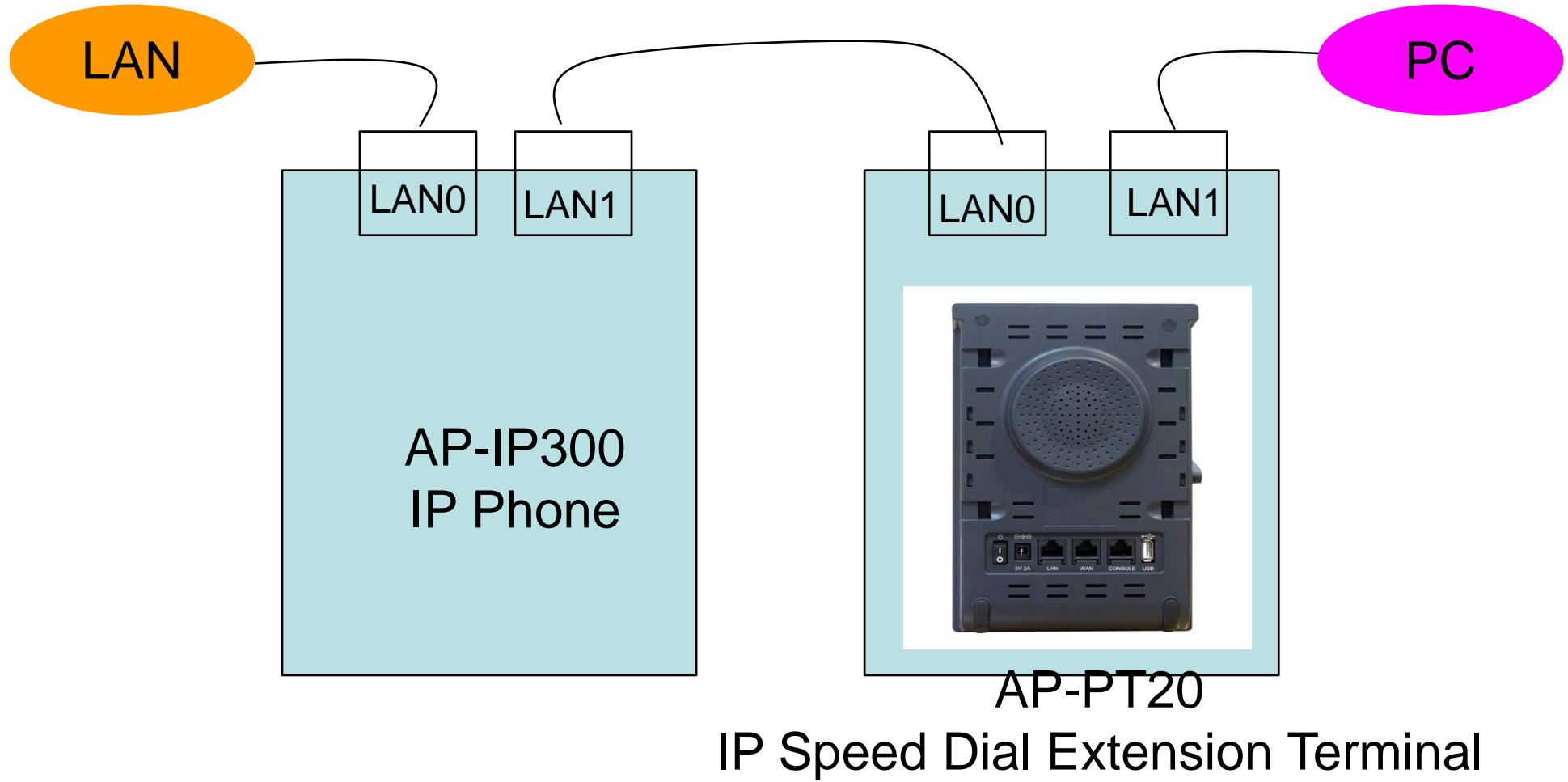


**AP-IP300G**  
(25 Speed Dial Button)

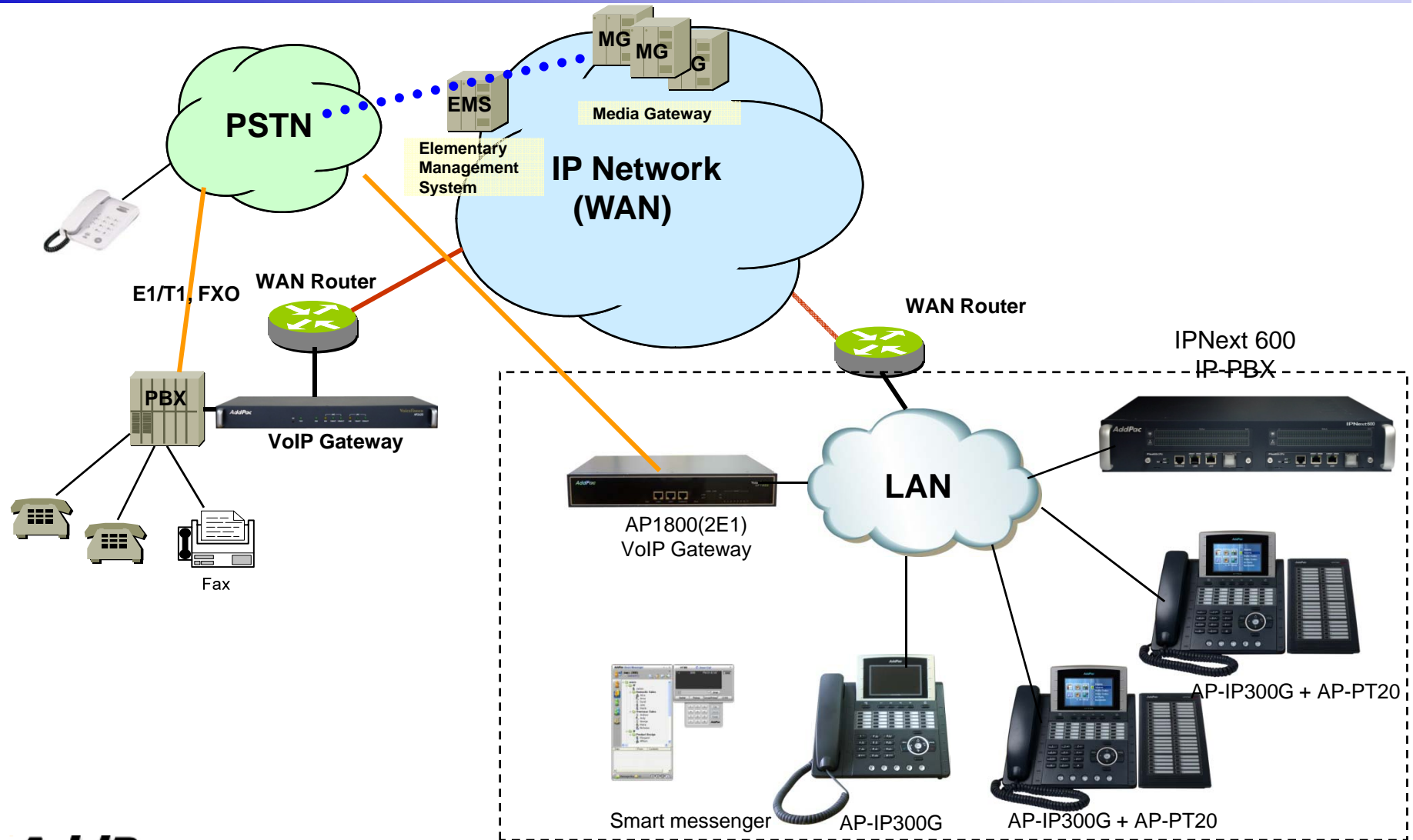
**AP-PT20**  
(40 Speed Dial Button)

**AP-PT20**  
(40 Speed Dial Button)

# AP-IP300G + AP-PT20 Interconnection Diagram



# Network Diagram



# Product Overview

AP-IP300G Gigabit Ethernet Premium IP Phone

- Gigabit IP Phone Solution
- Audio Broadcasting Solution
- High-performance Audio, and Voice Service
- Firmware Upgradeable Architecture
- VoIP Solution with Outstanding Network Service Capability
- Audio Privacy Protection
- Gigabit Ethernet Interface Support



# Hardware Specification

## AP-IP300G Gigabit Ethernet Premium IP Phone

- RISC+DSP Microprocessor Computing Power (Dual Processor Architecture)
- High Quality 4.3 Inch Color LCD Panel
- 25 Speed Dial Key & User Presence Indication LED
- Optional PSTN Backup Interface
  - FXO Interface
- High quality Audio and Voice Interface
  - Stereo Audio Input Connector
  - Stereo Audio Output Connector
- Network Interface
  - Two(2) 10/100/1000Mbps Gigabit Ethernet
- USB Host Mode Interface
  - USB Wifi, etc
- Power Supply
  - Power over Ethernet
  - External Power Adaptor (5V, 3A)





# Hardware Specification

## AP-IP300G Gigabit Ethernet Presence IP Phone



# Hardware Specification

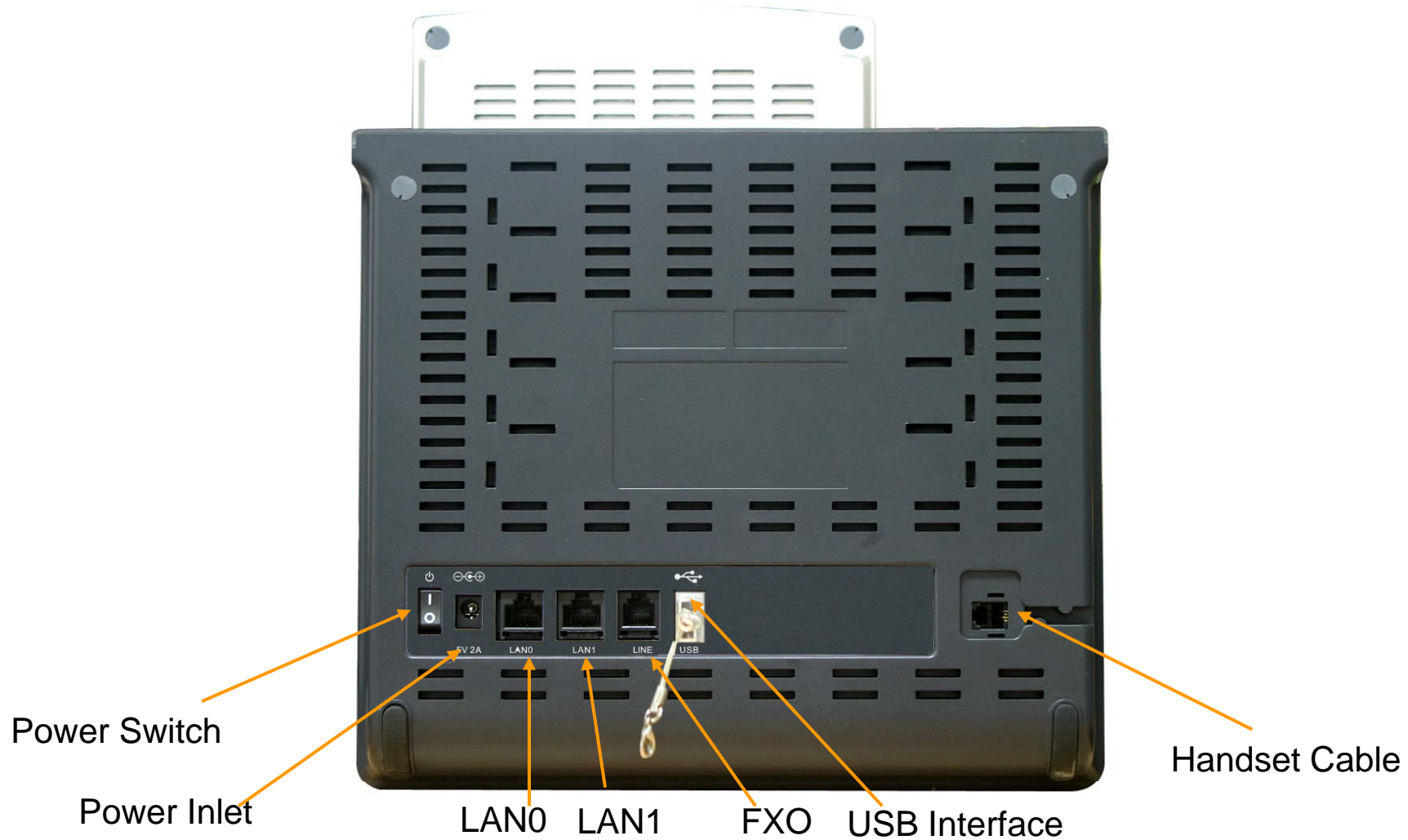
AP-IP300G Gigabit Ethernet Presence IP Phone



Audio In/Out  
for Headset

# Hardware Specification

AP-IP300G Gigabit Ethernet Presence IP Phone



# AP-PT20G

## IP Speed Dial Extension Terminal



# Product Overview

## AP-PT20G IP Speed Dial Extension Terminal

- Speed Dialing Terminal with User Presence Indication LAMP
- Inter-working with IP Terminal, Presence Server, Call Manager
- Multiple Terminal Cascading Feature
- User Presence Group Feature
- Firmware Upgradeable Architecture
- 10/100/1000Mbps Gigabit Ethernet
- PoE (Power over Ethernet) Function : Option

# Hardware Specification

## AP-PT20G IP Speed Dial Extension Terminal

- **RISC Microprocessor Computing Power**
- **40 Speed Dial Key with User Presence LAMP**
- **Optional PoE (Power over Ethernet) Interface**
- **Network Interface**
  - Two(2) 10/100/1000Mbps Gigabit Ethernet
- **Power Supply**
  - Power over Ethernet (Option)
  - External Power Adaptor (5V, 2A)
  - Power Switch
- **Connector for Cascading**





# Thank you!

**AddPac Technology Co., Ltd.**  
Sales and Marketing

Phone +82.2.568.3848 (KOREA)

FAX +82.2.568.3847 (KOREA)

E-mail [sales@addpac.com](mailto:sales@addpac.com)