

# BLF(Busy Lamp Field) Function for Asterisk Free-PBX



**AddPac**

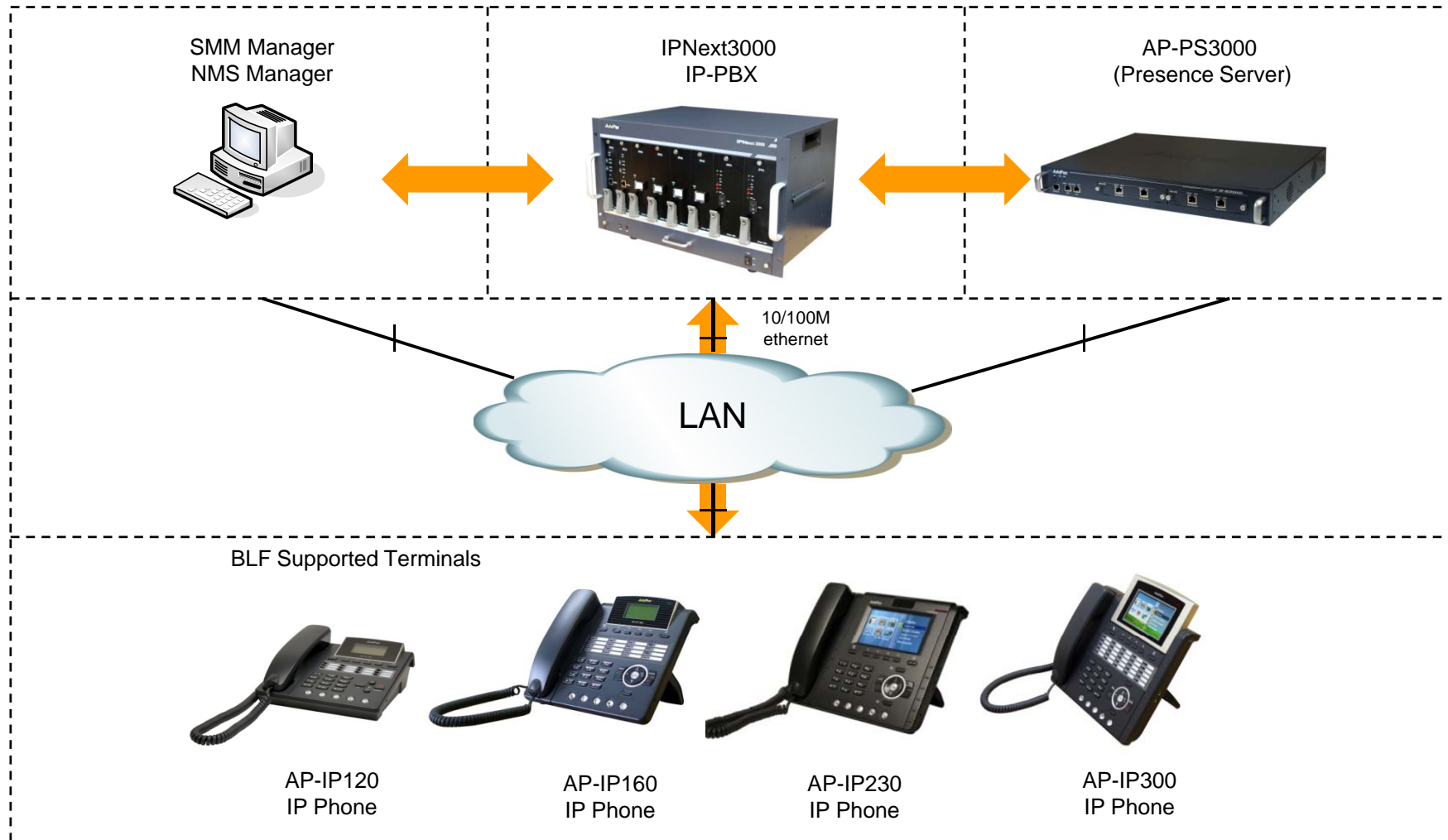
**AddPac Technology**

Sales and Marketing

# Contents

- BLF Service Diagram
- BLF IP Phone Example
- BLF Protocols
- BLF Message Flow Example
- BLF Service IP Phone Comparison Table
- BLF Service IP Video Phone Comparison Table
- BLF IP Phones

# BLF Service Diagram



# BLF IP-Phone Example (1/2)



# BLF IP-Phone Example (2/2)

- **BLF (Busy Lamp Field)**

The Busy Lamp Field (BLF) feature allows you to program a key that monitors whether or not another user is on a call.

The BLF Key also acts as a Speed Dial key to the monitored user's number, and as a Call Pickup key on behalf of the monitored user.

The appearance of the LED indicator for the BLF key is as follows:

Line Status	BLF Indicator	Description
Idle (On hook)	Off	The user being monitored is not on a call, nor dialing a call. The BLF key can be used as a <b>speed dial key</b> to the monitored user.
Off hook/Outgoing call	Solid Red	The monitored user is in the process of placing a call. The BLF key can be used as a speed dial key to the monitored user.
Incoming call	Flashing Red	A call is incoming for the monitored user. Press the BLF key to <b>pick up</b> the call on behalf of the monitored user.
Connected call	Solid Red	The incoming call has been answered by the monitored user. The BLF key can be used as a speed dial key to the monitored user.

# BLF Protocols

- **RFC 4235 – Dialog Event Package**

RFC 4235 defines the mechanism for an endpoint to subscribe to the state of any dialog involving another endpoint. RFC 4235 is an instantiation of the SIP Specific Event Notification Framework (RFC 3265) and defines the dialog event package. It also defines the behavior of the device (subscriber) and the Application Server in the context of subscriptions to the dialog event package.

- **RFC 4662– Resource Lists**

RFC 4662 defines an aggregating mechanism that allows for subscribing and notifying for a list of resources. This is useful in the context of the Attendant Console application whether the device needs to subscribe to a large number of resources.

- **Compatibility**

- AddPac IP-PBX
- Asterisk IP-PBX
- BroadWorks IP-PBX

# WEB for BLF(1/2)

**AddPac** | **VoiceFinder IP120**

System  
Network  
Phone Book  
**VoIP**  
SIP  
Service  
Auto Upgrade  
Status

DTMF Relay mode  
 Default(rtpaudio)  
 via RTP(RFC2833)  
 via Signal(out-of-band)  
 via H.245 alphanumeric(H.323 only)  
 Dual(both RTP & Signal)  
 INFO(SIP INFO)  
 SIP INFO of Cisco style  
 Enblock INFO

Local Ringback tone  
 Disable  
 Enable Local ringback  
 Enable Local ringback tone on receiving ALERT  
 Enable Local ringback tone on sending SETUP(pseudo)

Timer  
 fxs-reorder-duration : 0-3600 default:30 (secs)  
 fxs-linelock-duration : 0-3600 default:30 (secs)  
 initial-digit-timeout value : 1-600 default:10 (secs)

Feature Code  
 Direct Pickup :  
  
 Call Forward  
 Call Forward

**Feature Code for BLF**  
- A call is incoming for the monitored user. Press the BLF key to **pick up** the call on behalf of the monitored user.  
- The phone calls to IP-PBX with a called number (Feature Key + monitored user's phone number).

# WEB for BLF(2/2)

**AddPac** | | | | | | **VoiceFinder IP120**

- System
- Network
- Phone Book**
- VoIP
- SIP
- Service
- Auto Upgrade
- Status

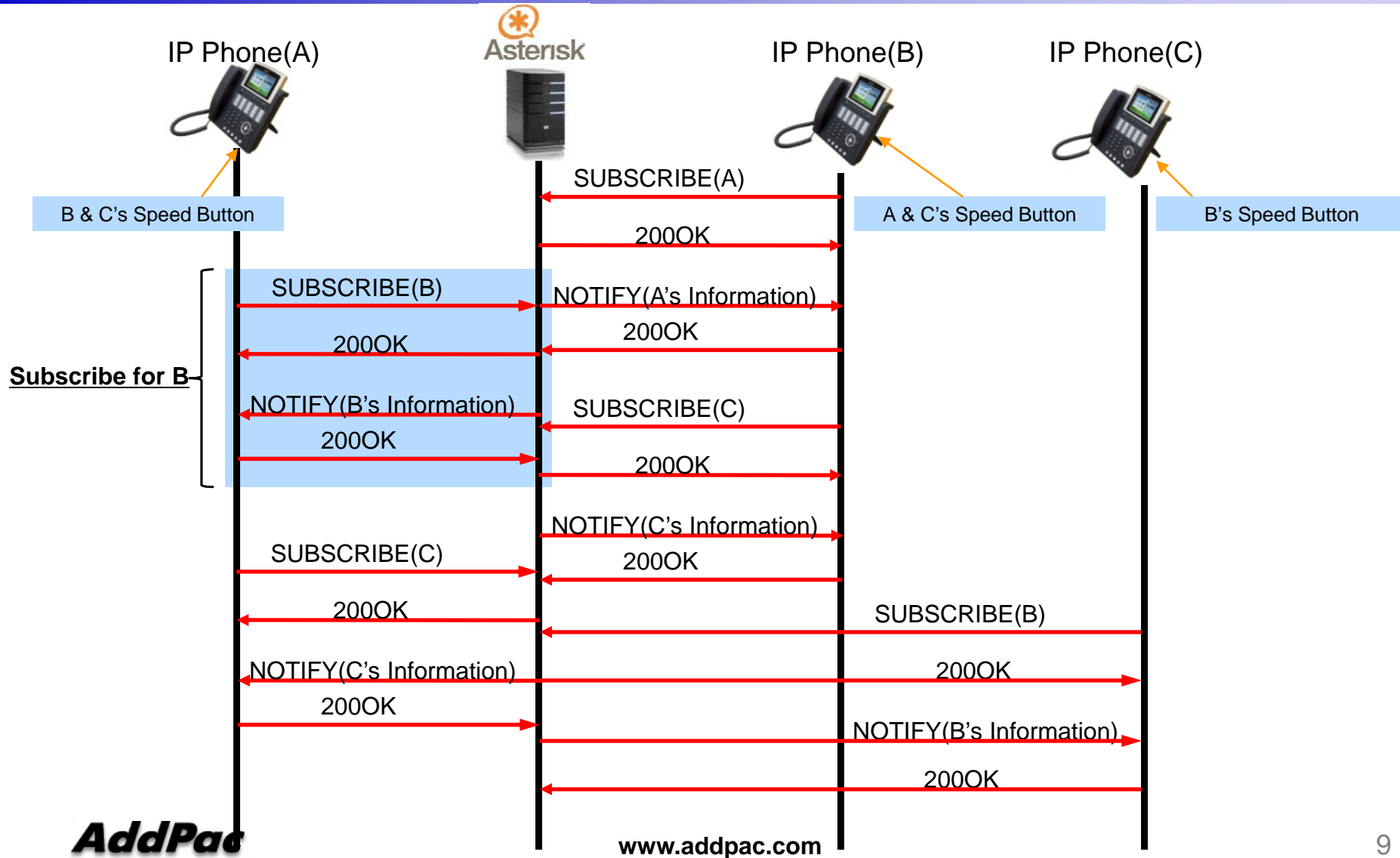
### Phone Book Information

Button Index	Phone Number	Name
1	4005	ohs
2	4006	cbg
3	4010	abc
4		
5		
6		
7		
8		
9		
10		
11		
12		

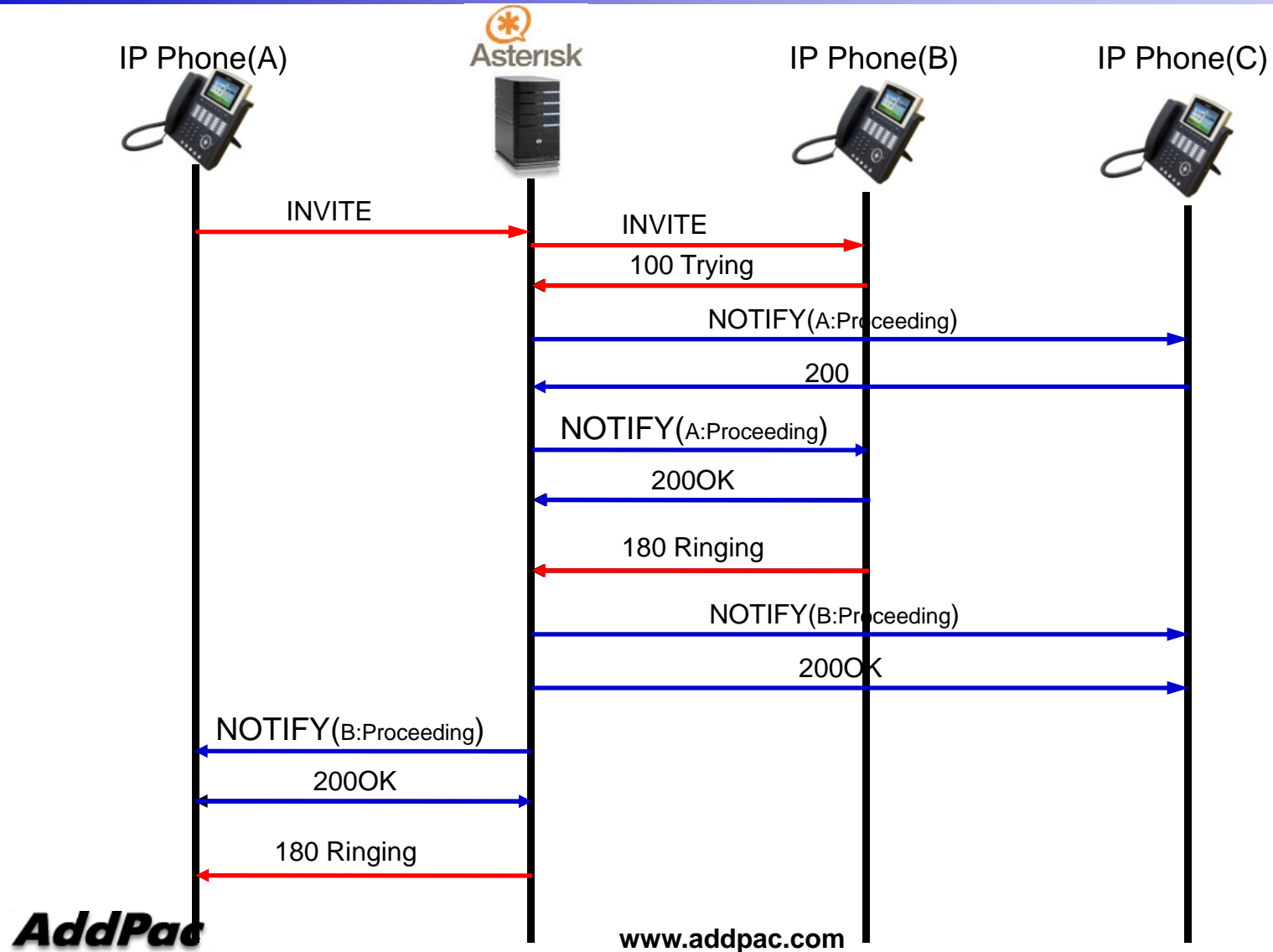
User can edit BLF keys for the motoring users.



# BLF Message Flow Example(1/2)



# BLF Message Flow Example(2/2)



# BLF Message Example(1/2)

SUBSCRIBE sip:4010@172.16.60.177 SIP/2.0  
Via: SIP/2.0/UDP  
172.16.9.16:5060;branch=z9hG4bKba4d6e05a410  
From: <sip:4008@172.16.60.177>;tag=ba4d6e05a4  
To: sip:4010@172.16.60.177  
Call-ID: ba731e4d-03a1-6eec-8005-0002a4ffff18@172.16.9.16  
CSeq: 10 SUBSCRIBE  
Date: Sat, 01 Jan 2011 00:24:42 GMT  
User-Agent: AddPac SIP Gateway  
Contact: <sip:4008@172.16.9.16>  
Accept: application/dialog-info+xml  
Expires: 180  
Event: dialog  
Content-Length: 0  
Max-Forwards: 70

NOTIFY sip:4008@172.16.9.16 SIP/2.0  
Via: SIP/2.0/UDP  
172.16.60.177:5060;branch=z9hG4bK07b39dd0  
Max-Forwards: 70  
From: sip:4010@172.16.60.177;tag=as677b750c  
To: <sip:4008@172.16.60.177>;tag=ba4d6e05a4  
Contact: <sip:4010@172.16.60.177:5060>  
Call-ID: ba731e4d-03a1-6eec-8005-0002a4ffff18@172.16.9.16  
CSeq: 103 NOTIFY  
User-Agent: FPBX-2.9.0(1.8.3.2)  
Subscription-State: active  
Event: dialog  
Content-Type: application/dialog-info+xml  
Content-Length: 203

```
<?xml version="1.0"?><dialog-info
xmlns="urn:ietf:params:xml:ns:dialog-info" version="1"
state="full" entity="sip:4010@1
72.16.60.177"><dialog id="4010"><state>terminated</state>
</dialog>
</dialog-info>
```

BLF Information for '4010'

# BLF IP Phone Comparison Table

	AP-IP300 	AP-IP230 	AP-IP160 	AP-IP120 	AP-IP90 
LCD Size	4.3 Inch Color LCD	5 Inch Color LCD	4 Text Line Graphic LCD	4 Text Line Graphic LCD	4 Text Line Graphic LCD
Touch Screen	N/A	Support	N/A	N/A	N/A
Speed-Dial Keys	25 Key with Presence LED	Touch Screen based 25 Keys	16 Key with Presence LED	12 Key with Presence LED	N/A
Voice Codec	G.711/G.726/ G.729/G.723	G.711/G.726/ G.729/G.723	G.711/G.726/ G.729/G.723	G.711/G.726/ G.729/G.723	G.711/G.726/ G.729/G.723
Signaling	H.323/SIP	H.323/SIP	H.323/SIP	H.323/SIP	H.323/SIP
3-Party Conversation	Support	Support	Support	Support	Support
LAN Port	2	2	2	2	2
PoE(Optional)	Support	Support	Support	Support	Support
FXO(Optional)	Support	Support	Support	Support	Support



# AP-IP300 IP Phone

# IP Phone

## AP-IP300 Premium IP Phone

### Main Features

- 4.3 Inch Color LCD Display
- 25 Speed-Dial Keys with User Presence LED
- 4 Soft Key for Call Control
- Various Function Keys
- H.323/SIP Concurrent VoIP Signaling Stack Embedded
- High-performance Voice Codec Support
  - G.711/G.726/G.729/G.723, etc
- Two(2) 10/100Mbps Fast Ethernet (IP Share ,etc)
- High Quality Speaker Phone Features (Acoustic Echo Canceller)
- Powerful Network Protocols (PPPoE, DHCP, Static Routing, etc)
- Firmware Upgradeable Architecture
- VPMS (VoIP Plug&Play Management System) for Large Scale Deployment
- Advanced Voice QoS Mechanism

# IP Phone

AP-IP300 Premium IP Phone

RISC  
CPU

High-end  
DSP

## Hardware Specification

- RISC Microprocessor Computing Power
- 4.3 Color LCD
- 25 Speed Dial Keys with User Presence LED
- High-end Programmable DSP Hardware Architecture
- High quality Audio and Voice Interface
  - Stereo Audio Input & Output Connector
- Network Interface
  - Two(2) 10/100Mbps Fast Ethernet
  - One(1) USB 1.0 Interface
- PSTN Interface
  - One(1) FXO(RJ11) interface
- Power Supply
  - *External DC adaptor (5V)*
  - *Power Switch*
  - *PoE (Power over Ethernet)*

# IP Phone

AP-IP300 Premium IP Phone

RISC  
CPU

High-end  
DSP

## Hardware Specification



**AddPac**

[www.addpac.com](http://www.addpac.com)



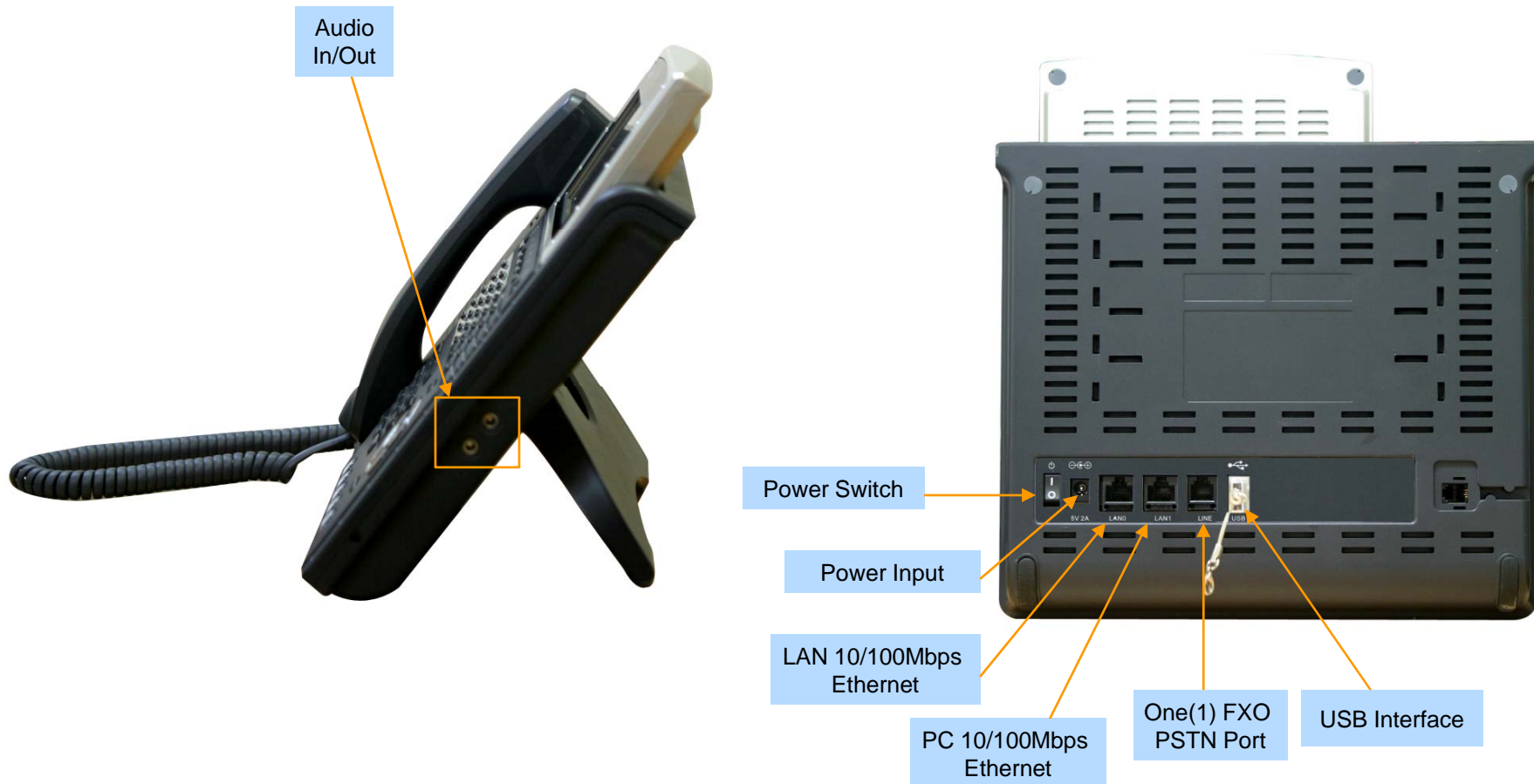
# IP Phone

AP-IP300 Premium IP Phone

RISC  
CPU

High-end  
DSP

## Hardware Specification





# AP-IP230 IP Phone

# IP Phone

## AP-IP230 Premium IP Phone

### Main Features

- 5 Inch Color LCD Display, Touch Screen
- Touch Screen based 25 Speed-Dial Keys
- 4 Soft Key for Call Control
- Various Function Keys
- H.323/SIP Concurrent VoIP Signaling Stack Embedded
- High-performance Voice Codec Support
  - G.711/G.726/G.729/G.723, etc
- Two(2) 10/100Mbps Fast Ethernet (IP Share ,etc)
- High Quality Speaker Phone Features (Acoustic Echo Canceller)
- Powerful Network Protocols (PPPoE, DHCP, Static Routing, etc)
- Firmware Upgradeable Architecture
- VPMS (VoIP Plug&Play Management System) for Large Scale Deployment
- Advanced Voice QoS Mechanism

# IP Phone

AP-IP230 Premium IP Phone

RISC  
CPU

High-end  
DSP

## Hardware Specification

- RISC Microprocessor Computing Power
- 5 Inch Color LCD with Touch Screen
- High-end Programmable DSP Hardware Architecture
- High quality Audio and Voice Interface
  - Stereo Audio Input & Output Connector
- Network Interface
  - Two(2) 10/100Mbps Fast Ethernet
  - One(1) USB 1.0 Interface
- PSTN Interface
  - One(1) FXO(RJ11) interface
- Power Supply
  - *External DC adaptor (5V)*
  - *Power Switch*
  - *PoE (Power over Ethernet)*

# IP Phone

AP-IP230 Premium IP Phone

## Hardware Specification

RISC  
CPU

High-end  
DSP

5 Inch  
LCD with Touch  
Screen



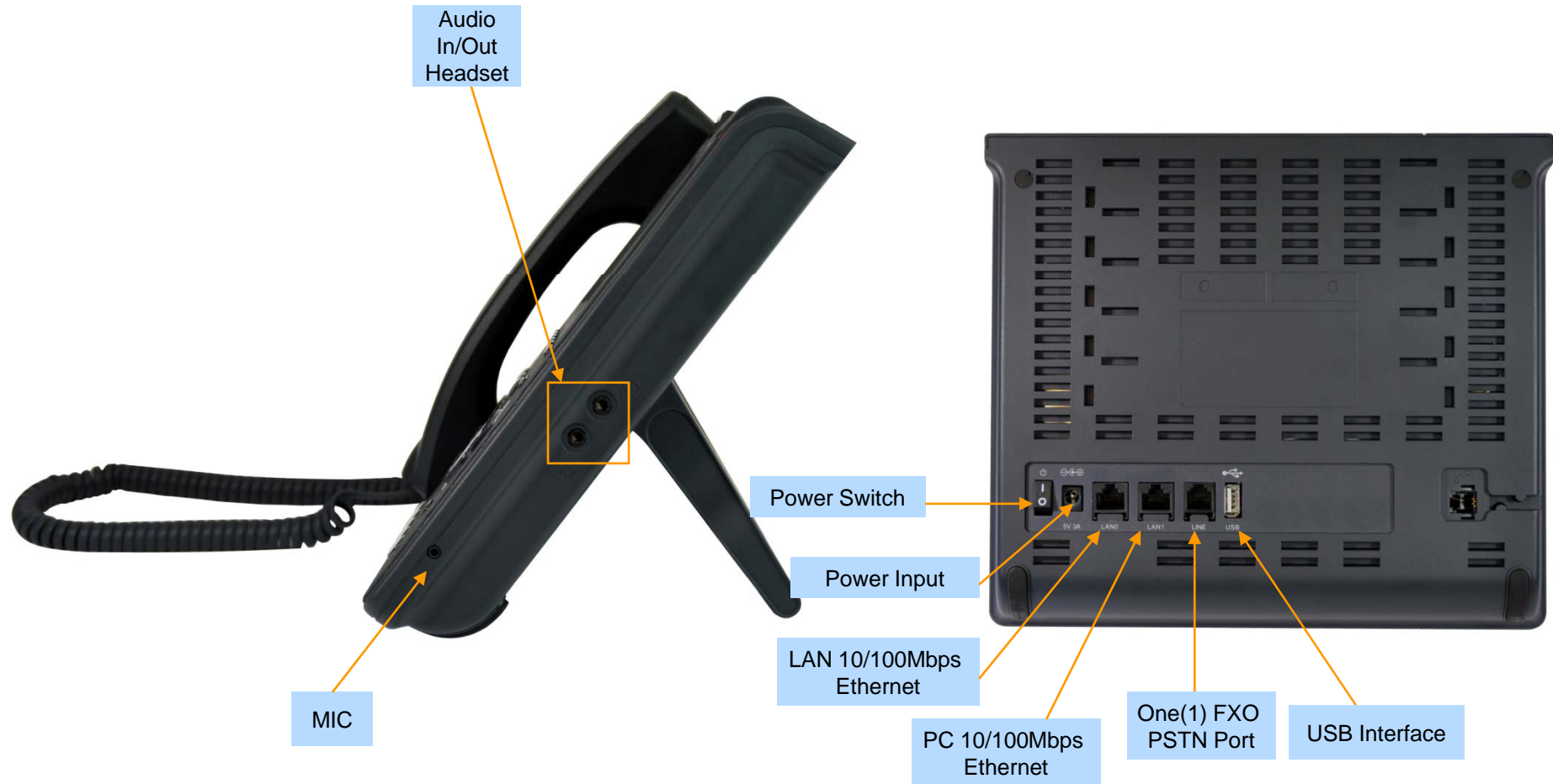
# IP Phone

AP-IP230 Premium IP Phone

RISC  
CPU

High-end  
DSP

## Hardware Specification





# AP-IP160 IP Phone

# IP Phone

## AP-IP160 IP Phone

### Main Features

- 4 Text Line Graphic LCD Display
- 16 Speed-Dial Keys with User Presence LED
- 4 Soft Key for Call Control
- Various Function Keys
- H.323/SIP Concurrent VoIP Signaling Stack Embedded
- High-performance Voice Codec Support
  - G.711/G.726/G.729/G.723, etc
- Two(2) 10/100Mbps Fast Ethernet (IP Share ,etc)
- High Quality Speaker Phone Features (Acoustic Echo Canceller)
- Powerful Network Protocols (PPPoE, DHCP, Static Routing, etc)
- Firmware Upgradeable Architecture
- VPMS (VoIP Plug&Play Management System) for Large Scale Deployment
- Advanced Voice QoS Mechanism



# IP Phone

AP-IP160 IP Phone

RISC  
CPU

High-end  
DSP

## Hardware Specification

- RISC Microprocessor Computing Power
- 4 Text Line Graphic LCD
- Navigation Key for Menu Search
- High-end Programmable DSP Hardware Architecture
- High quality Audio and Voice Interface
  - Stereo Audio Input & Output Connector
- Network Interface
  - Two(2) 10/100Mbps Fast Ethernet
- PSTN Interface
  - One(1) FXO(RJ11) interface
- Power Supply
  - *External DC adaptor (5V)*
  - *Power Switch*
  - *PoE (Power over Ethernet)*

# IP Phone

AP-IP160 IP Phone

RISC  
CPU

High-end  
DSP

## Hardware Specification



**AddPac**

[www.addpac.com](http://www.addpac.com)

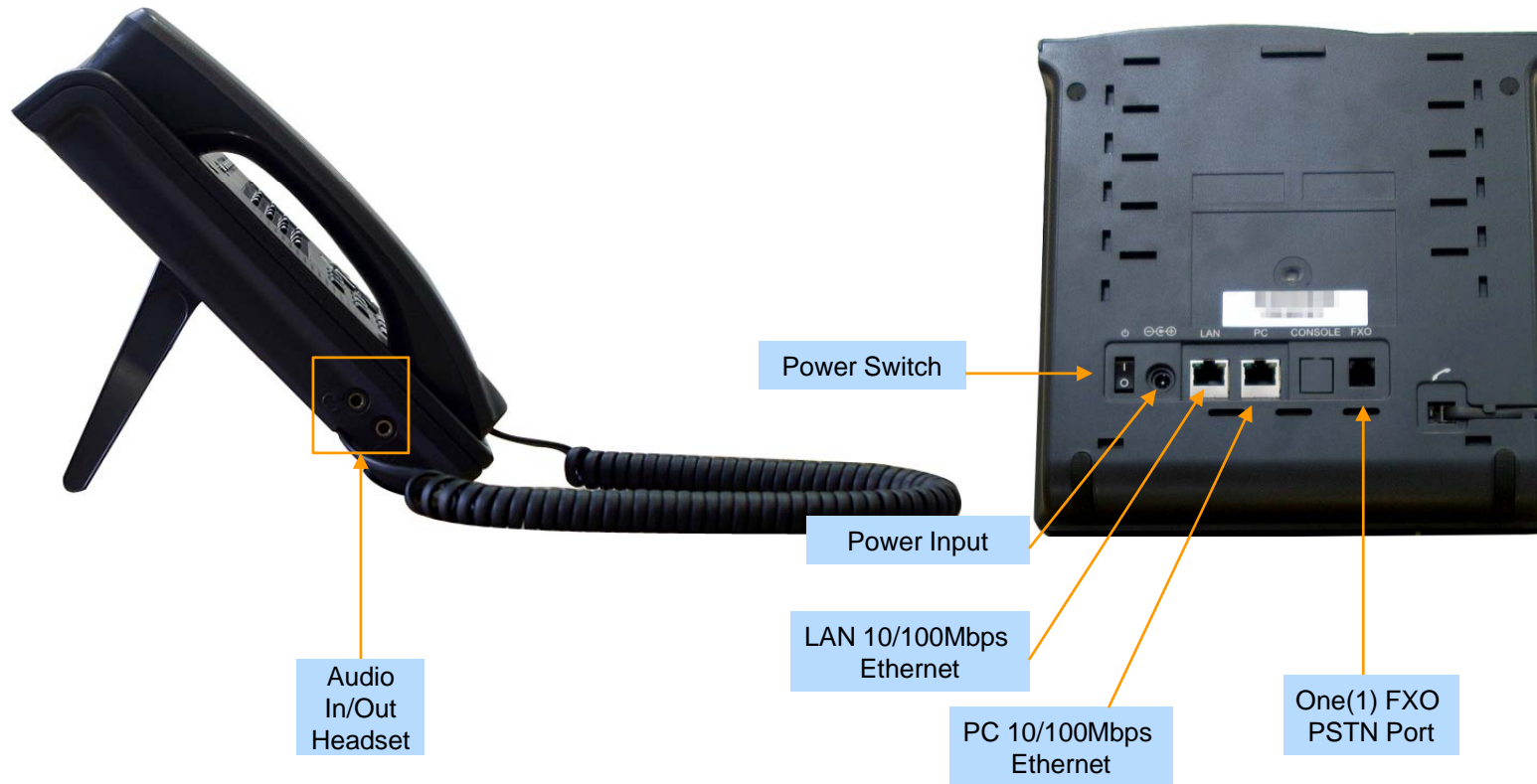
# IP Phone

AP-IP160 IP Phone

RISC  
CPU

High-end  
DSP

## Hardware Specification





# AP-IP120 IP Phone

# IP Phone

## AP-IP120 IP Phone

### Main Features

- 4 Text Line Graphic LCD Display
- 12 Speed-Dial Keys with User Presence LED
- 4 Soft Key for Call Control
- Various Function Keys
- H.323/SIP Concurrent VoIP Signaling Stack Embedded
- High-performance Voice Codec Support
  - G.711/G.726/G.729/G.723, etc
- Two(2) 10/100Mbps Fast Ethernet (IP Share ,etc)
- High Quality Speaker Phone Features (Acoustic Echo Canceller)
- Powerful Network Protocols (PPPoE, DHCP, Static Routing, etc)
- Firmware Upgradeable Architecture
- VPMS (VoIP Plug&Play Management System) for Large Scale Deployment
- Advanced Voice QoS Mechanism

# IP Phone

AP-IP120 IP Phone

RISC  
CPU

High-end  
DSP

## Hardware Specification

- RISC Microprocessor Computing Power
- 4 Text Line Graphic LCD
- Navigation Key for Menu Search
- High-end Programmable DSP Hardware Architecture
- High quality Audio and Voice Interface
  - Stereo Audio Input & Output Connector
- Network Interface
  - Two(2) 10/100Mbps Fast Ethernet
- PSTN Interface
  - One(1) FXO(RJ11) interface
- Power Supply
  - *External DC adaptor (5V)*
  - *PoE (Power over Ethernet)*

# IP Phone

AP-IP120 IP Phone

RISC  
CPU

High-end  
DSP

## Hardware Specification





# AP-IP90 IP Phone



# IP Phone

## AP-IP90 IP Phone

### Main Features

- 4 Text Line Graphic LCD Display
- 4 Soft Key for Call Control
- Various Function Keys
- H.323/SIP Concurrent VoIP Signaling Stack Embedded
- High-performance Voice Codec Support
  - G.711/G.726/G.729/G.723, etc
- Two(2) 10/100Mbps Fast Ethernet (IP Share ,etc)
- High Quality Speaker Phone Features (Acoustic Echo Canceller)
- Powerful Network Protocols (PPPoE, DHCP, Static Routing, etc)
- Firmware Upgradeable Architecture
- VPMS (VoIP Plug&Play Management System) for Large Scale Deployment
- Advanced Voice QoS Mechanism

# IP Phone

AP-IP90 IP Phone

RISC  
CPU

High-end  
DSP

## Hardware Specification

- RISC Microprocessor Computing Power
- 4 Text Line Graphic LCD
- Navigation Key for Menu Search
- High-end Programmable DSP Hardware Architecture
- High quality Audio and Voice Interface
  - Stereo Audio Input & Output Connector
- Network Interface
  - Two(2) 10/100Mbps Fast Ethernet
- PSTN Interface
  - One(1) FXO(RJ11) interface
- Power Supply
  - *External DC adaptor (5V)*
  - *PoE (Power over Ethernet)*

# IP Phone

AP-IP90 IP Phone

RISC  
CPU

High-end  
DSP

## Hardware Specification





# Thank you!

**AddPac Technology Co., Ltd.**  
Sales and Marketing

Phone +82.2.568.3848 (KOREA)

FAX +82.2.568.3847 (KOREA)

E-mail : [sales@addpac.com](mailto:sales@addpac.com)