

# SIP-based Soft-Key for IP Terminals



AP-IP300  
IP Phone



AP-IP90  
IP Phone



AP-IP120  
IP Phone

***AddPac***

**AddPac Technology**

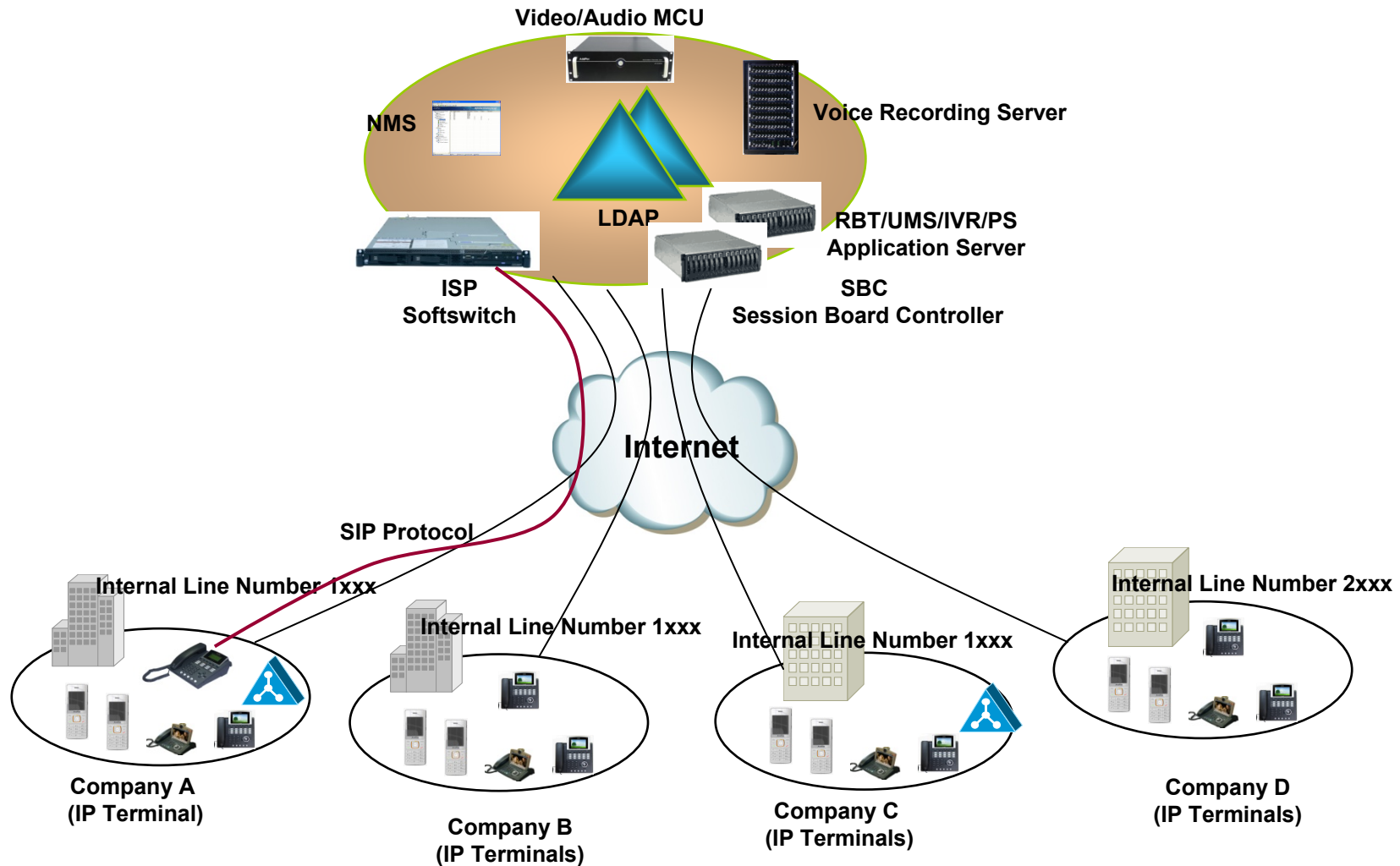
Sales and Marketing

[www.addpac.com](http://www.addpac.com)

# Contents

- SIP based IP Centrex Service
- AddPac IP Terminals
- AddPac IP Terminal Function Key
- SIP Soft-Key Group
- State Transition Diagram

# SIP based IP Centrex Service



# AddPac IP Terminals

- AP-VP500 Video Phone
- AP-VP350 MCU Video Phone
- AP-VP300 Video Phone
- AP-VP280 Video Phone
- AP-VP250 Video Phone
- AP-VP230 Video Phone
- AP-VP150 Video Phone
- AP-VP120 Video Phone
- AP-IP300 Premium IP Phone
- AP-IP250 IP Phone
- AP-IP160 IP Phone
- AP-IP120 IP Phone
- AP-IP90 IP Phone
- AP-WP100 WiFi Phone
- AP-SMP100 Soft Phone



# AddPac IP Terminal Function Key

Function Key : F1, F2, F3, F4



F1	F2	F3	F4
----	----	----	----

# SIP Soft-key Group (1/2)

## 1. IDLE State Soft-Key

ReDi	Pick	CWai	
------	------	------	--

- 1.1 ReDi (Redial) : Redial to the latest calling or called number.
- 1.2 Pick(Pickup) : Pickup call from other ringing phone.
- 1.3 CWai(CallWaiting) : Configure call-waiting function.

## 2. Established State Soft-Key

Hold	Tran	EndC	
------	------	------	--

- 2.1 Hold(Hold) : Hold the current call. And create a new one.
- 2.2 Tran(Transfer) : Hold the current call. And create a new one for transfer.
- 2.3 EndC(EndCall) : Terminate the current call.

## 3. Hold & New Session State Soft-Key

EndC			
------	--	--	--

- 3.1 EndC(EndCall) : Terminate the current call.

## 4. Hold & Established State Soft-Key

Hold	Conf	EndC	
------	------	------	--

- 4.1 Hold(Hold) : Hold the current call. And resume the held one.
- 4.2 Conf(Conference) : Start conference with the current call and held one.
- 4.3 EndC(EndCall) : Terminate the current call.

# SIP Soft-key Group (2/2)

## 5. Conference State Soft-Key

<b>EndC</b>			
-------------	--	--	--

5.1 EndC(EndCall) : Terminate the conference call.

## 6. Hold State Soft-Key

<b>Resu</b>	<b>EndC</b>		
-------------	-------------	--	--

6.1 Resu(Resume) : Resume the held call.

6.2 EndC(EndCall) : Terminate the held call.

## 7. Wait State Soft-Key

<b>Enab</b>	<b>Disa</b>		
-------------	-------------	--	--

7.1 Ena(Enable) : Enable call-waiting function.

7.2 Disa(Disable) : Disable call-waiting function.

## 8. Basic Transfer State Soft-Key

<b>EndC</b>			
-------------	--	--	--

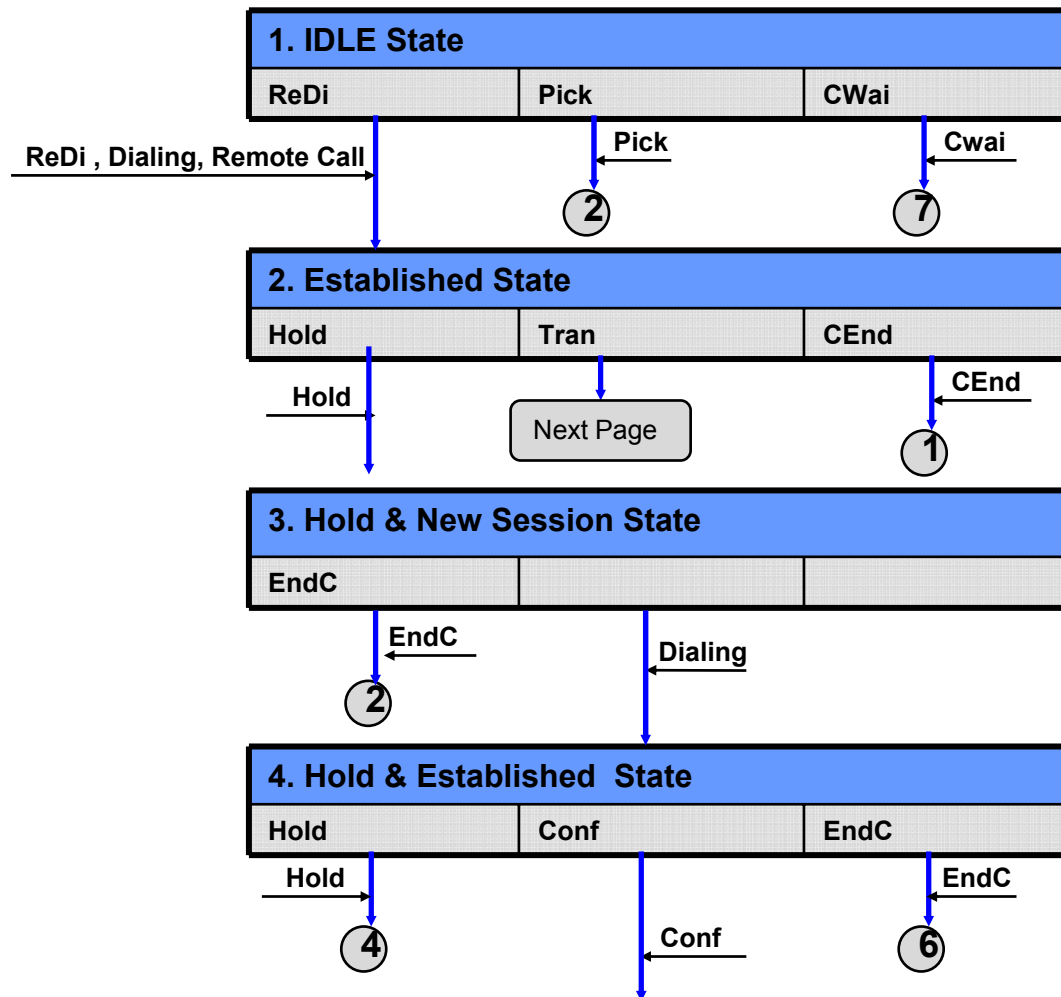
8.1 EndC(EndCall) : Transfer the call by REFER.

## 9. Attended Transfer State Soft-Key

<b>TCom</b>			
-------------	--	--	--

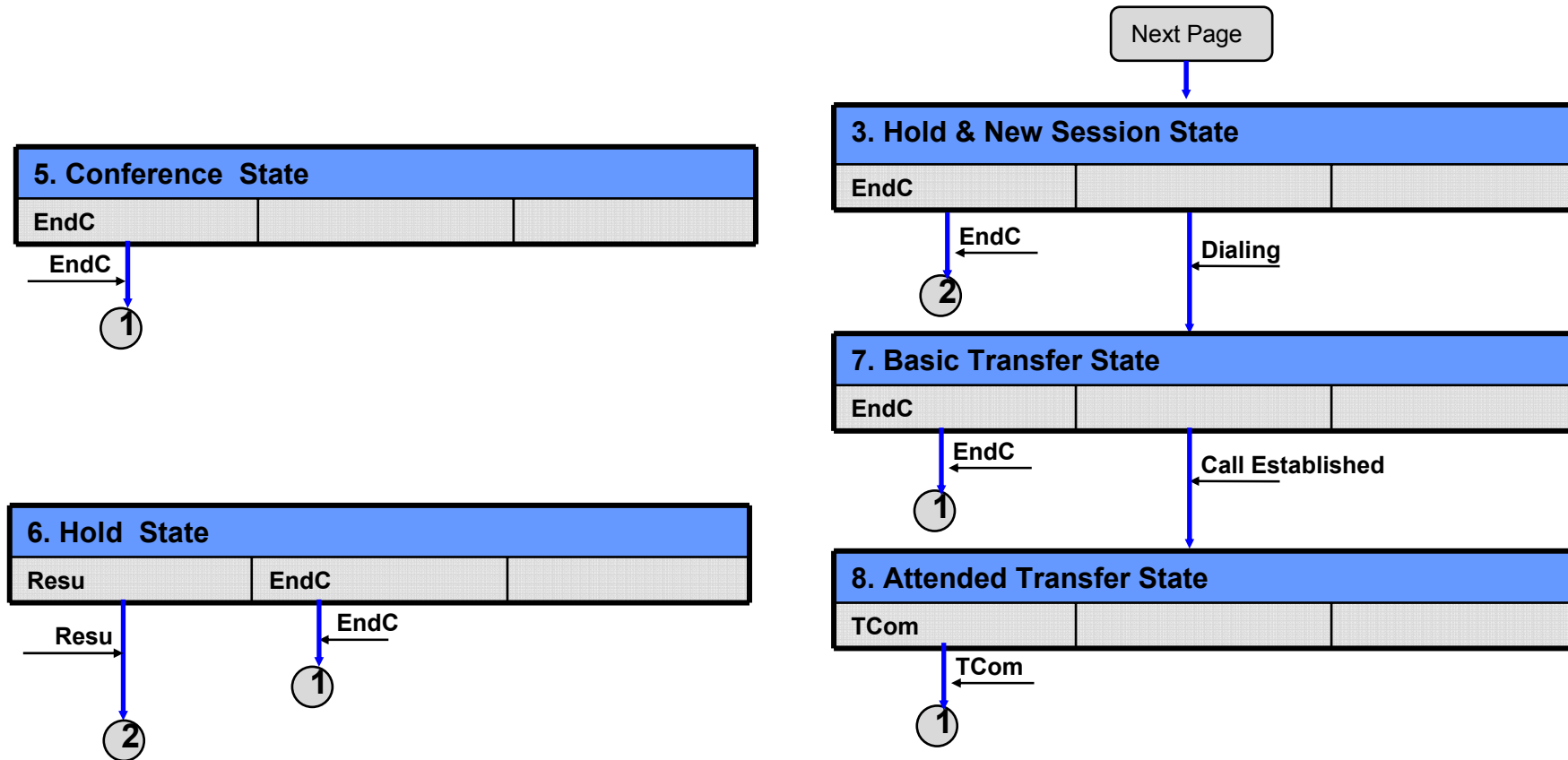
9.1 Tcom(TransferComplete) : Transfer the call by REFER.

# State Transition Diagram (1/2)





# State Transition Diagram (2/2)





# Thank you!

**AddPac Technology Co., Ltd.**  
Sales and Marketing

Phone +82.2.568.3848 (KOREA)  
FAX +82.2.568.3847 (KOREA)  
E-mail [sales@addpac.com](mailto:sales@addpac.com)