



AP-GS702™

2-Port GSM SOHO Gateway

High Performance GSM SOHO Gateway Solution

H/W Design Concept



AddPac

AddPac Technology

2011, Sales and Marketing

www.addpac.com

Contents

- Product H/W Overview
- Hardware Specification
- AP-GS702 Model A
 - Internal Hardware Block Diagram
 - Network Service Diagram
- AP-GS702 Model B
 - Internal Hardware Block Diagram
 - Network Service Diagram



Product H/W Overview

- AP-GS702 Embedded Platform
- Voice Interface
 - No Analog Interface (Model A)
 - FXS 2ch Model (Model B)
- RISC Microprocessor Computing Power
- Audio Codec
 - G.711, G.726, G.729, G.723.1
- Main Chassis
 - 2-Port SIM Card Slots
 - 2-Port GSM Antenna Interface
 - One(1) Fast Ethernet Port
 - External Power Adaptor

Hardware Specification

RISC
CPU

High-end
DSP





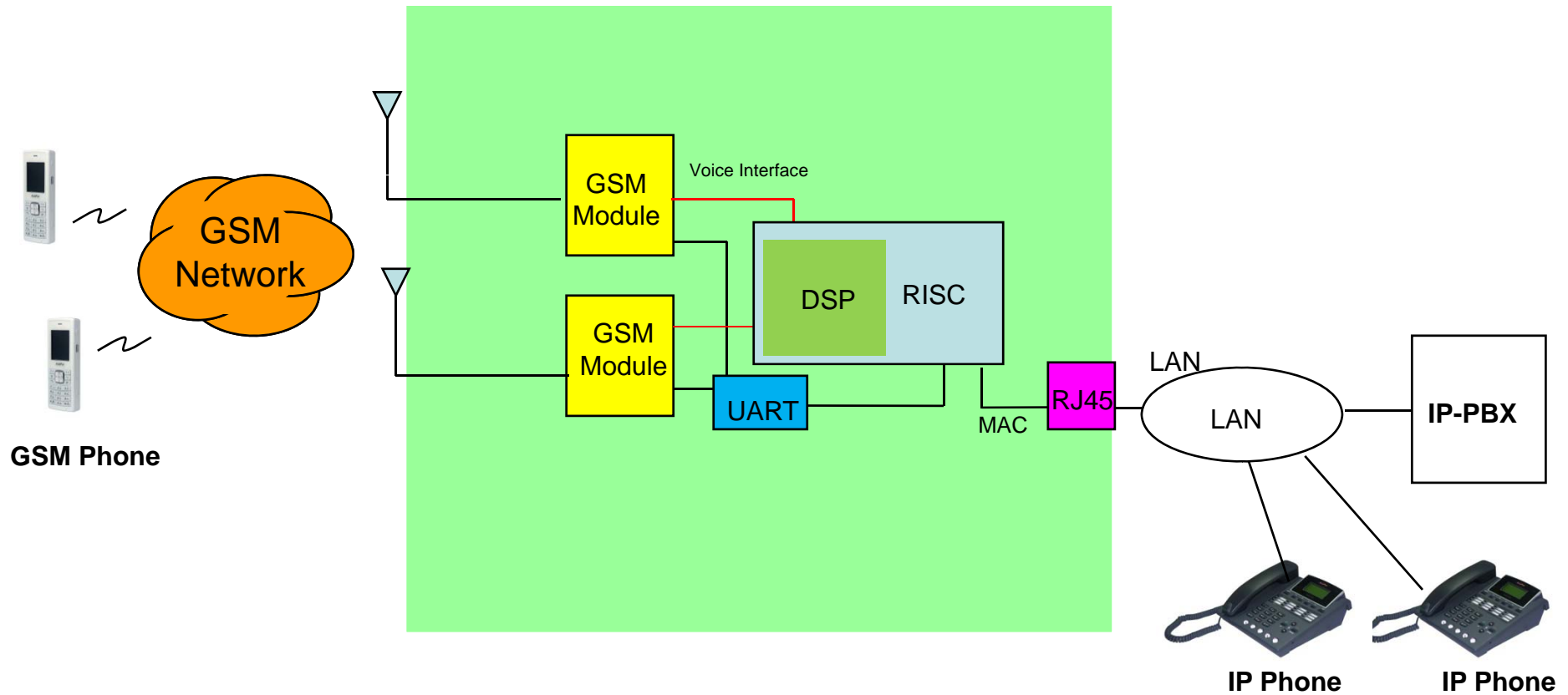
AP-GS702 Model A

Internal H/W Block Diagram

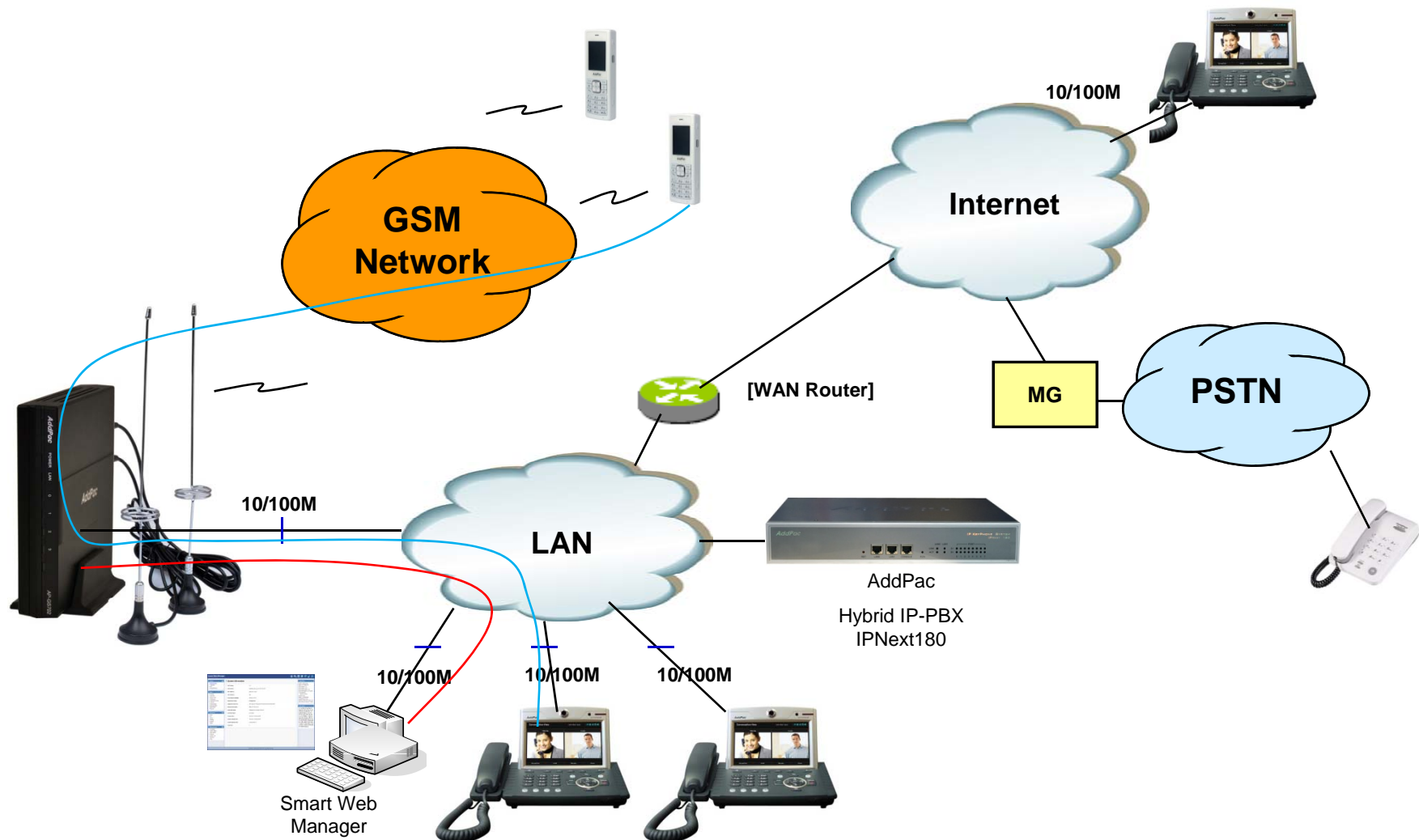
RISC
CPU

High-end
DSP

Model A Internal H/W Block Diagram



Network Service Diagram





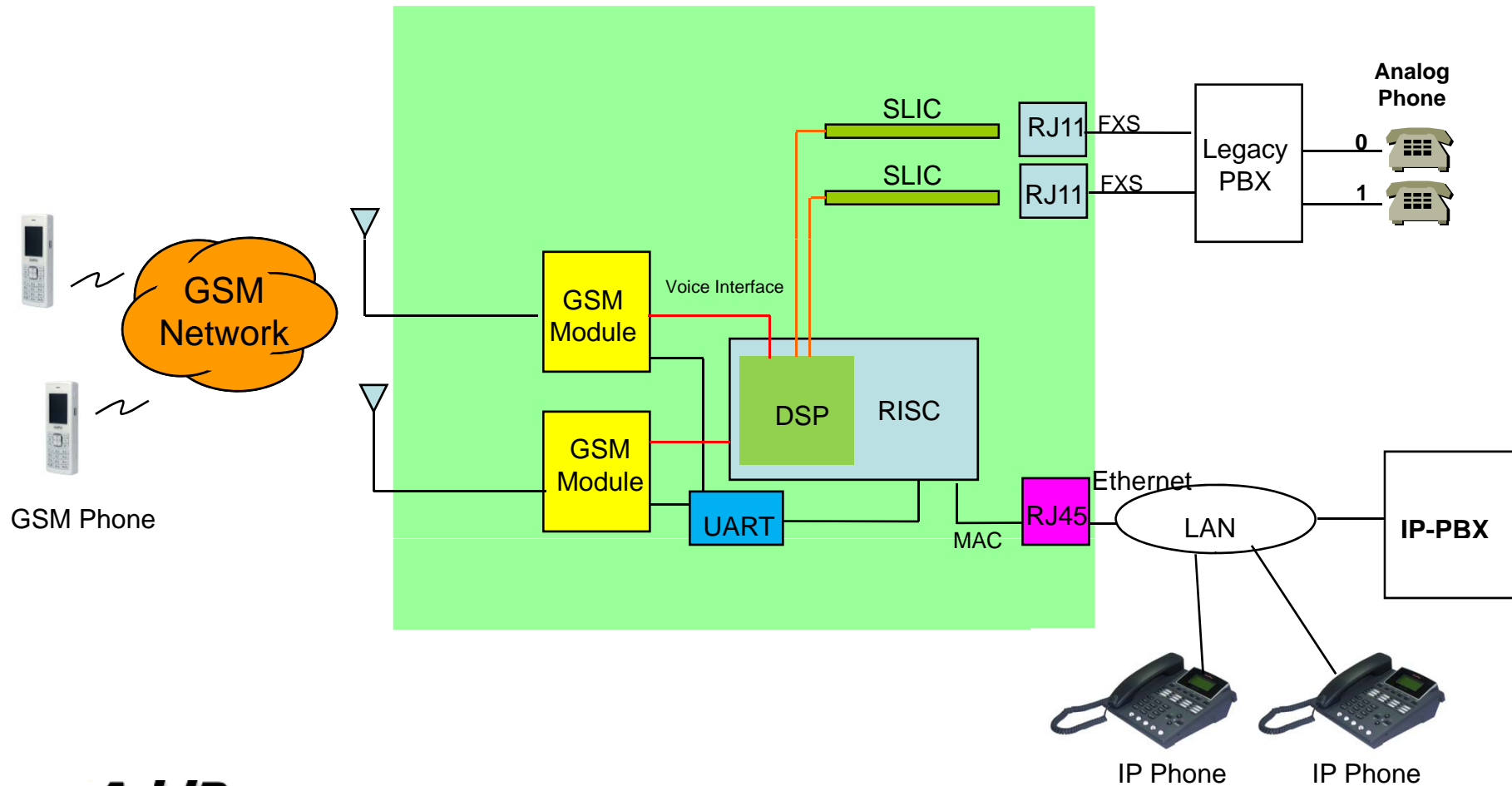
AP-GS702 Model B

Internal H/W Block Diagram

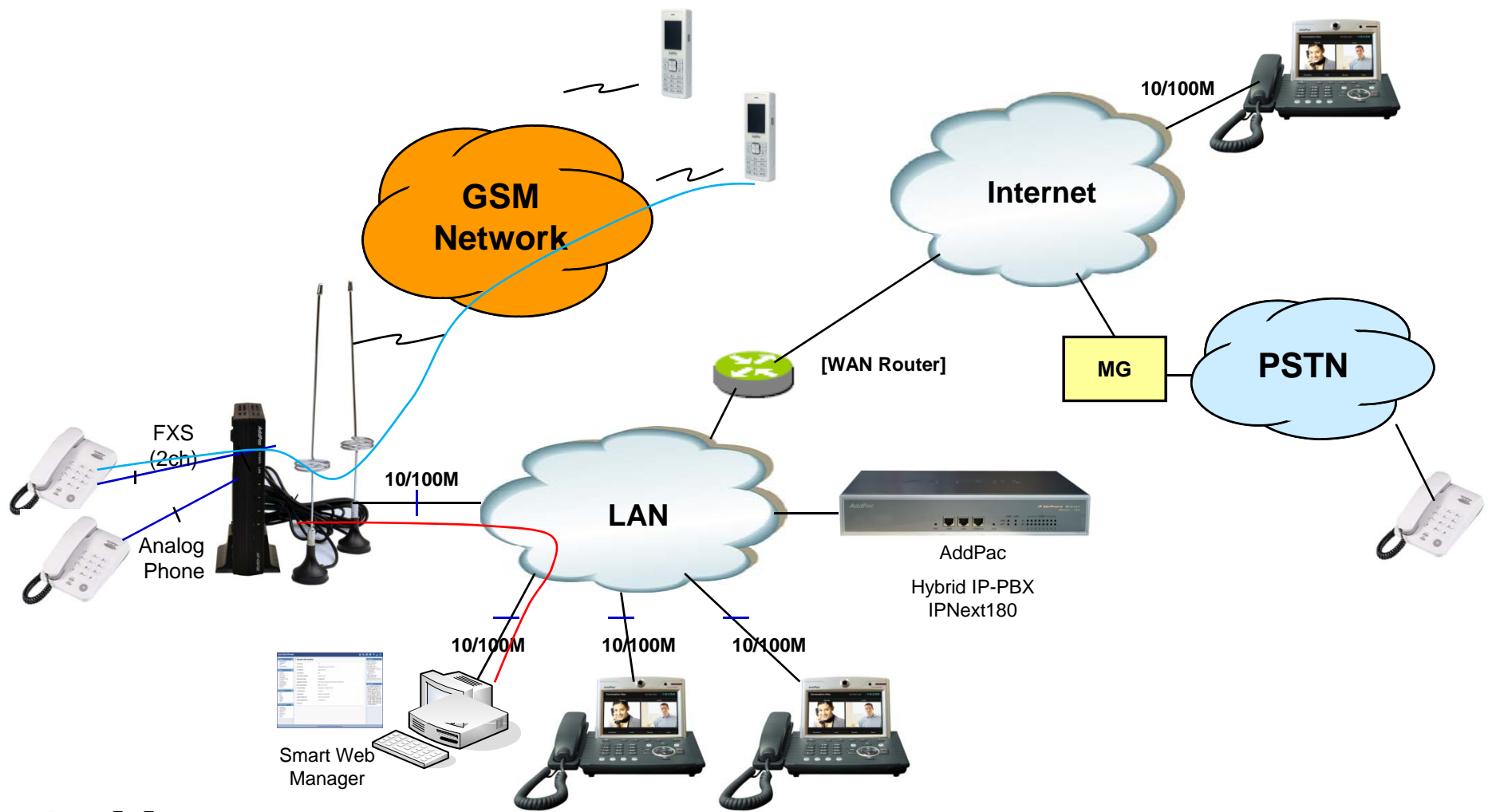
RISC
CPU

High-end
DSP

Model B Internal H/W Block Diagram



Network Service Diagram



GSM SOHO Gateway Series

Thank you!

AddPac Technology Co., Ltd.
Sales and Marketing

Phone +82.2.568.3848 (KOREA)

FAX +82.2.568.3847 (KOREA)

E-mail sales@addpac.com