

AP-GS501™

1-Port FXS GSM Gateway

High Performance GSM Gateway Solution

Design Concept



AddPac

AddPac Technology

2011, Sales and Marketing

www.addpac.com

Contents

- Hardware Specification
- Hardware Block Diagram for GSM VoIP Service
- Internal Hardware Block Diagram



Hardware Specification

AP-GS501 1-Port FXS GSM Gateway

RISC
CPU

High-end
DSP

- RISC Microprocessor + DSP Computing Power
- 1-Port GSM Gateway
- 1-Port SIM Card Slot
- 1-Port GSM Antenna Interface
- VoIP Gateway Interface
 - AP-GS501 Model B: One(1) FXS Port
- Network Interface for VoIP Direct Interface
 - One(1) 10/100Mbps Fast Ethernet (RJ45)
- Run LED, LAN LED, Port LEDs
- External Power Supply

Hardware Specification

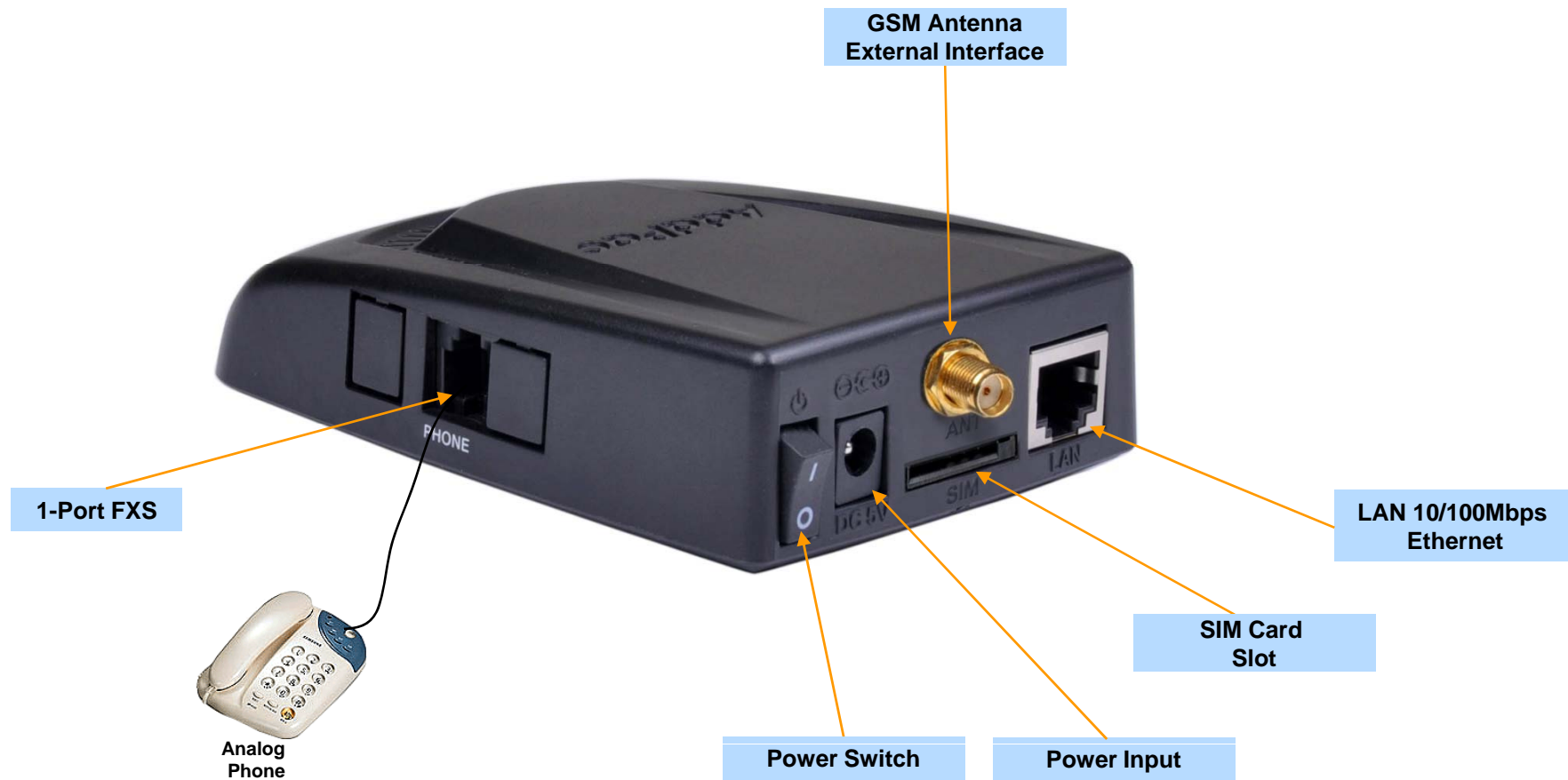
AP-GS501 1-Port FXS GSM Gateway

Hardware Specifications

AP-GS501 GSM Gateway	Basic Specifications
Voice Interface	One(1)-Port FXS Analog Interface
GSM Antenna Interface	External GSM Antenna
SIM Card Slot Interface	GSM SIM Card Slot
Ethernet Interface	1-Port 10/100Mbps Ethernet Interface(RJ-45)
Flash Memory	4Mbyte High-speed Flash Memory
Base Memory	32 Mbyte High-speed SDRAM
Power Requirement	Power Supply Adaptor / VAC 110~220V, 50/60Hz, 5V, 2A
Operating Temperature	0°C ~ 45°C (32 °F ~ 122°F)
Storage Temperature	-40°C ~ 85°C (-40°C ~ 185°F)
Relative Humidity	5% ~ 95% (Non-condensing)
Dimension	28.8mm x 77mm x 111mm (H x W x D)

Hardware Specification

AP-GS501 1-Port FXS GSM Gateway



Hardware Block Diagram for GSM VoIP

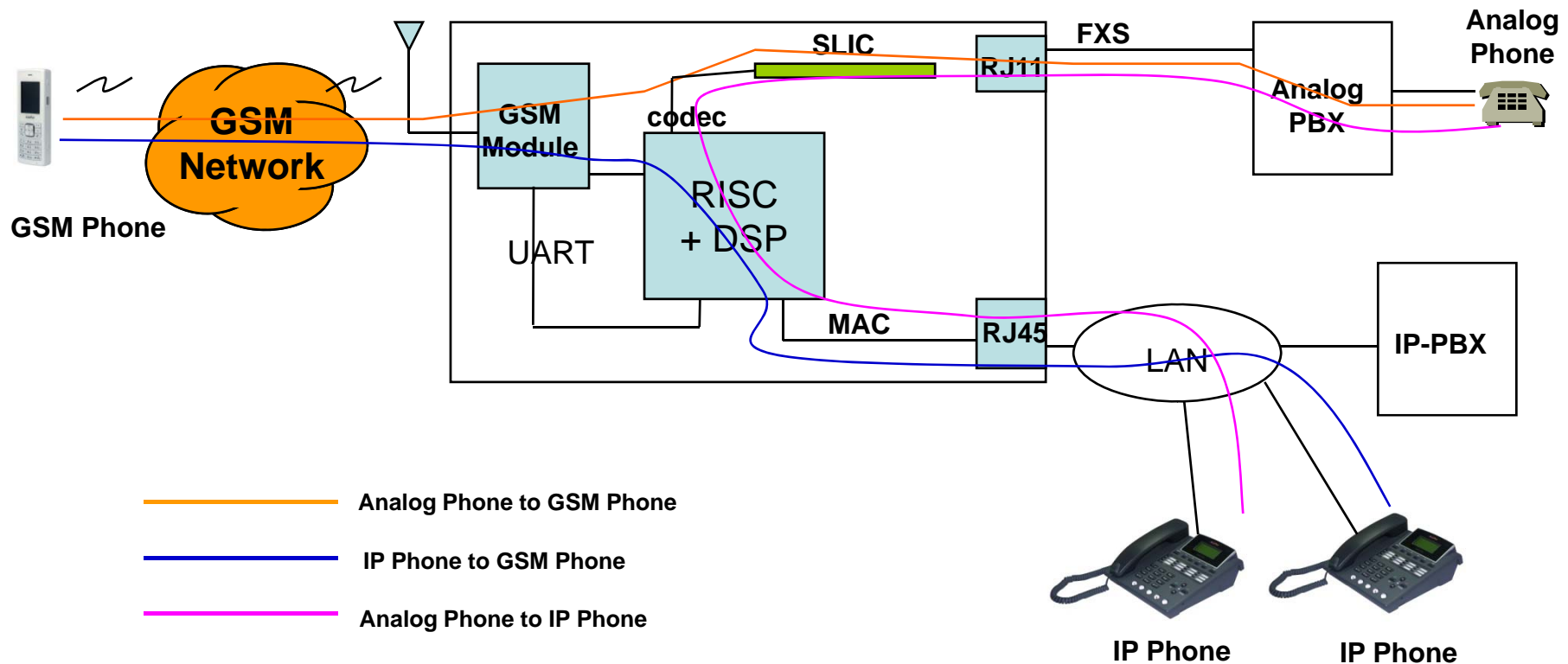
AP-GS501 1-Port FXS GSM Gateway

RISC
CPU

High-end
DSP

GSM Gateway Service Diagram

AP-GS501 GSM Gateway Internal H/W Block Diagram

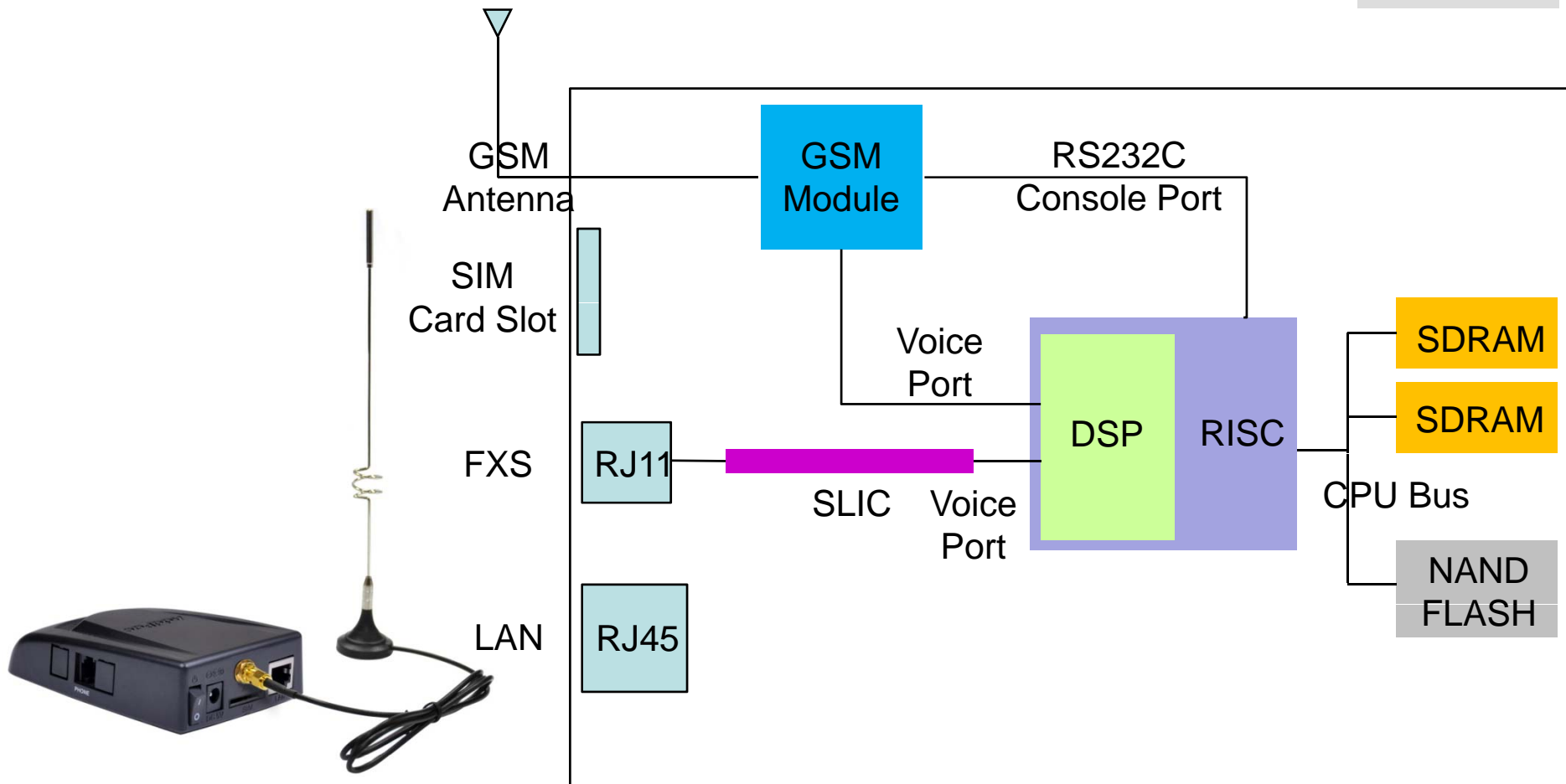


Hardware Internal Block Diagram

AP-GS501 1-Port FXS GSM Gateway

RISC
CPU

High-end
DSP



GSM SOHO Gateway Series

Thank you!

AddPac Technology Co., Ltd.
Sales and Marketing

Phone +82.2.568.3848 (KOREA)

FAX +82.2.568.3847 (KOREA)

E-mail sales@addpac.com