



AP-IP200™

BcN IP Phone

High Performance IP Phone Solution

IP Phone + PSTN Phone

Design Concept



AddPac

AddPac Technology

Sales and Marketing

www.addpac.com

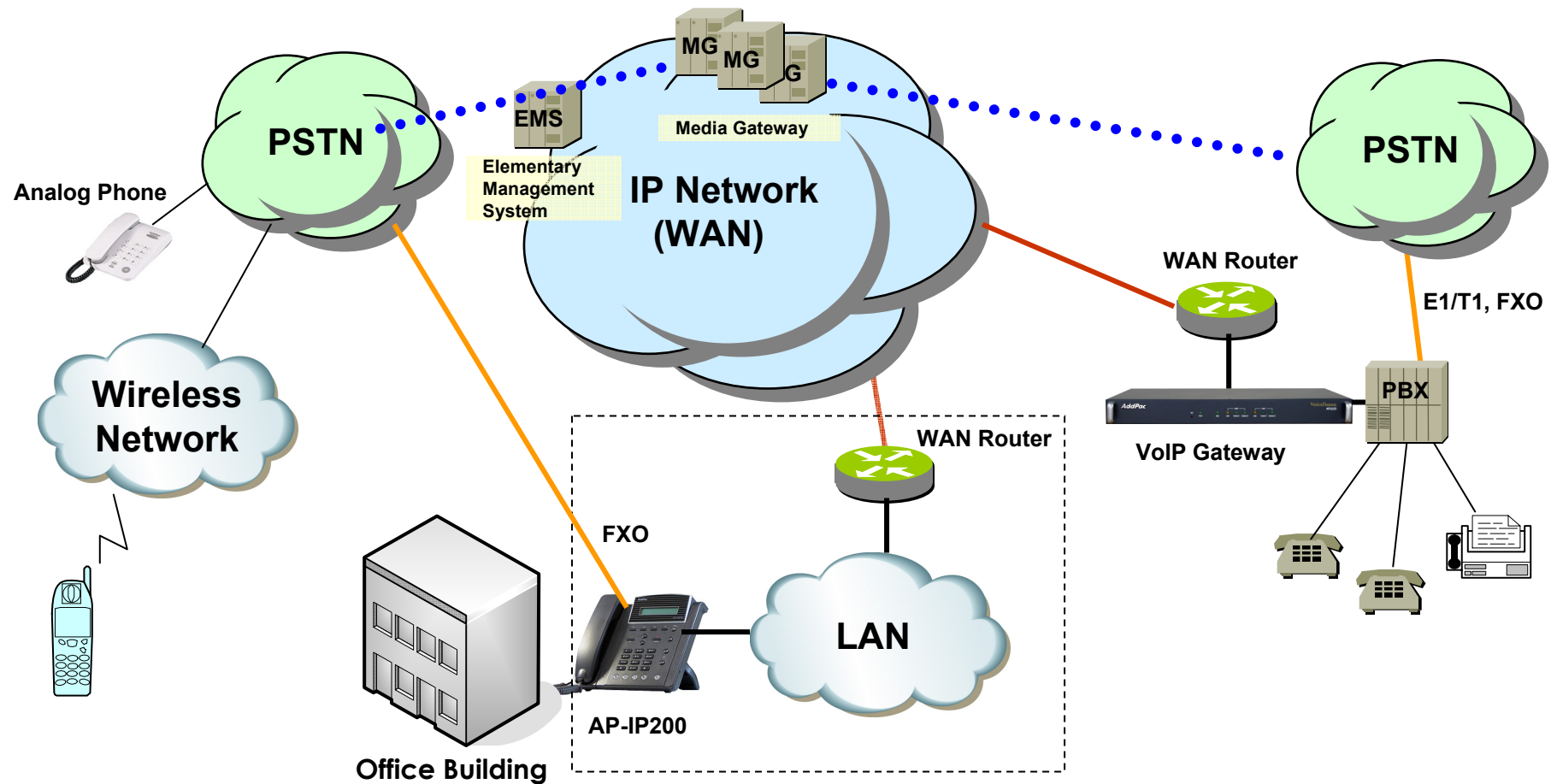
Contents

AP-IP200 IP Phone

- Network Application Diagram
- Hardware Specification
- Hardware Block Diagram

Network Application Diagram

AP-IP200 IP Phone



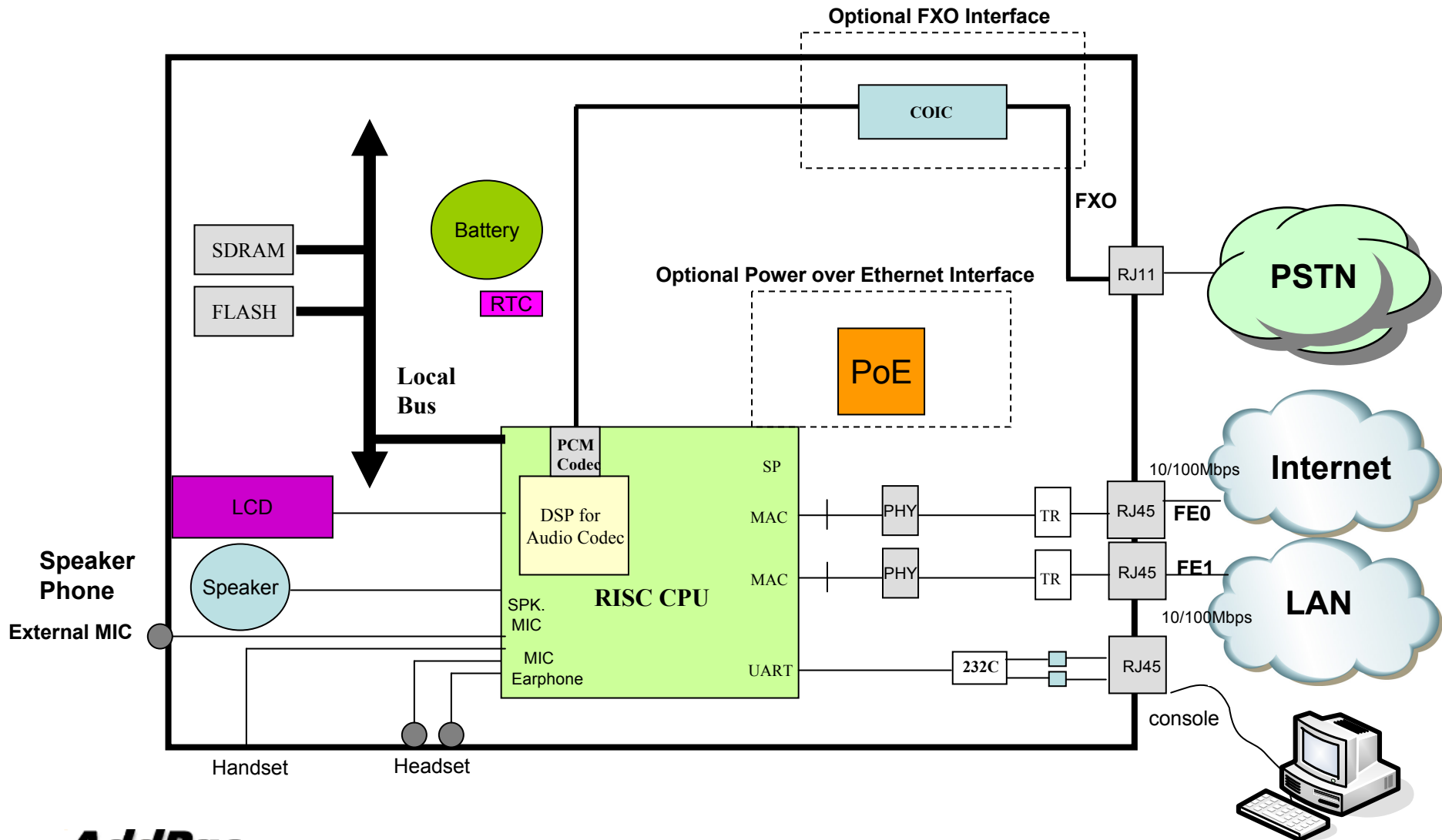
Hardware Specification

AP-IP200 IP Phone

- **RISC+DSP Microprocessor Computing Power (Dual Processor Architecture)**
- **Optional PSTN Interface**
 - FXO Interface
- **High quality Audio and Voice Interface**
 - Stereo Audio Input Connector
 - Stereo Audio Output Connector
- **Network Interface**
 - Two(2) 10/100Mbps Fast Ethernet
 - One(1) RS-232C Console
- **Power Supply**
 - Optional PoE (Power over Ethernet) Interface
 - External Power Adaptor (5V, 2A)
- **2 Line LCD, Speaker Phone, Headset Interface, Audio Mute**

Hardware Logical Diagram

AP-IP200 IP Phone



AP-IP200 IP Phone

Thank you!

AddPac Technology Co., Ltd.
Sales and Marketing

Phone +82.2.568.3848 (KOREA)

FAX +82.2.568.3847 (KOREA)

E-mail sales@addpac.com